



Falcon Ute



At Ford, with such a long and successful motoring heritage behind us, we understand that everyone's lifestyle is different. What you look for in a vehicle will be different from the next person. It could be a vehicle that allows you to fit in all the family and hit the open road for the weekend, a zippy urban car that's perfect for tackling city traffic, or maybe you need a vehicle that allows you to play as hard as you work. We'd like to think that our family of vehicles is proof that Ford never stops looking forward, designing and engineering vehicles that catch your eye, are technologically advanced, consider the environment and help keep you safe. In short, no matter what your lifestyle, you're sure to find a Ford that can help you live more of your life.



**Irresistible Design:**

Because everyone's idea of the perfect car is different, Ford have designed and engineered a family of exciting, athletic and sleek vehicles that look great inside and out.



**Great to sit in, great to drive:**

There's nothing quite like driving a Ford. That's because every Ford is built from the ground up to be exhilarating to drive, with high levels of interior comfort along with the very latest safety systems that help keep you in control and protect you and your passengers.



**Sustainability:**

Ford recognises that climate change is a significant global challenge. We have an ongoing commitment to caring for the environment in every facet of our business, including delivering alternative fuel solutions such as diesel and LPG.



**Innovation and Technology:**

Thinking smarter means a comfortable, safe and enjoyable drive every time you turn the key. Our innovative solutions to everyday tasks using the latest technology save you time and connect you to the digital world.



**Built to Last:**

Every Ford is built not just for today but for tomorrow as well. So, when you buy a Ford you enjoy the type of quality that you can rely on, day in day out. Not just the look and feel, but the way it performs and the way it lasts.



When it comes to getting the job done, the Falcon Ute really delivers. With the availability of cab chassis and a one tonne payload, plus a choice of powerful, torquey, technologically advanced engines, including the ultra-economical E-Gas engine, Falcon Ute has the brute strength and power to tackle just about any job going. And with car-like comfort and handling, along with a host of the latest technology on board, working conditions have never been better.

# Work hard





Falcon XR6 Cab Chassis shown with optional aluminium tray.

WORK HARD

**A real workhorse.**

**Well equipped to tackle hefty payloads and able to tow serious weight, you can rely on the Falcon Ute to get your job done.**

Regardless of whether you're loading up the tools or towing the boat, the Falcon Ute has true workhorse ability. There are payloads of up to 1.2 tonnes\* available and towing capacity up to a massive 2,300kg.# The availability of a Cab Chassis provides the versatility and flexibility to create a unique solution for your business needs, including the option of a factory fitted aluminium tray. Alternatively, the Styleside Box has a tough, fully integrated bedliner to protect your work equipment against daily wear and tear.



**Flush-fit soft tonneau cover.**

The flush-fit soft tonneau cover is stylish and flexible enough to handle a range of load types, including the ability to fit the tonneau cover securely over high loads.

\*Falcon Ute and R6 Cab Chassis models and XR6 Cab Chassis model with optional one tonne suspension only. #Braked towing capacity of vehicles with optional automatic transmission, when fitted with Genuine Ford heavy duty towpack including load levelling kit. Subject to State and Territory regulations.



Falcon R6 Styleside Box shown. Falcon Ute Cab Chassis shown with optional aluminium tray and 1-tonne alloy wheels

## INTERIOR

### Five-star comfort.

The Falcon Ute interior provides you with a comfortable and involving drive, so you'll find that after a long day on the job, getting behind the wheel is something to look forward to.

After a long day on the job, sit back in the 4-way power adjustable driver's seat and enjoy the engaging drive or simply relax in the peace and quiet of the ergonomically designed interior. The spacious cabin in the Falcon Ute not only maximises space and comfort but the cockpit-like design surrounds you and allows you to really get involved the moment you turn the key.



### Supercab design.

The generous space behind the seats provides real storage for your toolboxes and other work gear.



### Optional 3 across seating.

Complete with centre head restraint, the three across seating with column shift auto provides extra passenger capacity when needed.\*

\*Only available on Falcon Ute model.



XR interior shown with optional automatic transmission.

INTERIOR

**Car-like features.**

**With such an impressive list of car-like features, the Falcon Ute puts you comfortably in control.**

While the Falcon Ute is more than capable of getting the job done, there is a real car-like feel to the interior and the way it drives, so getting to and from work is more comfortable than ever. The eye-catching, modern instrument panel and centre console puts all of the controls at your fingertips for greater convenience and ease of use, meaning less time with your eyes off the road.



**Automatic climate control.**

You will enjoy perfect working conditions whenever you get behind the wheel.\*

\*Optional on Falcon Ute and R6 models.



Falcon R6 Ute interior shown with optional automatic climate control.

**The latest technology.**

**Whether it's travelling to the worksite or cruising on a weekend, on-board technology makes your journey more enjoyable.**

Get behind the wheel of the Falcon Ute and you will feel like some of the very latest technology is at your disposal. And it is. From the hands-free convenience of optional Bluetooth\*\* with steering wheel mounted controls, to the high-resolution graphics of the optional satellite navigation system, the technology in the Falcon Ute makes work and play so much easier.



**Multi-function Display.**

The easy-to-read Multi-function Display allows you to check everything at a glance, from speed and journey distance to vehicle warnings and more.



XR Ute interior shown with optional XR Luxury Pack.



**Satellite navigation system with Suna™ Traffic Channel:**

Guides you to your destination via a map on the large 7" colour ICC screen and voice commands integrated within the vehicle's audio system. The Suna Traffic Channel provides dynamic road traffic information, keeping you informed to help avoid congestion and providing re-routes around traffic incidents.



**Bluetooth® mobile phone integration:**



**iPod Integration:**

**Human Machine Interface (HMI).**

Incorporating the Interior Command Centre (ICC), Multi-function Display and steering wheel controls, the HMI, via a customisable display screen, allows simple navigation of menus and operation of vehicle functions. This greatly increases safety, because you can easily see information such as speed, overspeed, audio information, trip computer, average fuel economy, average speed, travel time and more, minimising time that your eyes are off the road. The ICC control dial makes it simple to navigate through vehicle settings and make adjustments to features such as automatic climate control and audio settings.



**iPod Integration:**

Allows you to access and play your favourite playlists, albums and podcasts on your iPod through the vehicle's audio system, with everything controlled through the ICC screen or steering wheel buttons.



**Bluetooth® mobile phone integration:**

Enjoy safe, hands-free communication while you are driving. Integrated into your vehicle's audio system.



**Cruise control.**

With steering wheel mounted controls for greater convenience and improved safety.

~Only available with optional Technology Pack. The Suna Traffic Channel broadcast is guaranteed for (but not necessarily limited to) four years from the time of vehicle manufacture. Coverage includes Melbourne, Sydney and Brisbane metropolitan areas only, refer to sunattraffic.com.au for full details. \*Available in optional Technology Pack or as a Genuine Ford Accessory. Bluetooth is a registered trademark of Bluetooth SIG, Inc. and is used under license. ^ Available in optional Technology Pack or as a Genuine Ford Accessory. iPod is a trademark of Apple Inc. Please refer to ford.com.au for iPod compatibility.



SAFETY

**Safe and secure.**

**The Falcon Ute doesn't compromise when it comes to the very latest safety features.**

No matter whether it's driving to work or heading to your favourite fishing spot on the weekend, the Falcon Ute with its long list of passive and active safety measures, including the Intelligent Safety System and the availability of Dynamic Stability Control<sup>†</sup>, helps to keep you and your passengers safe. Plus, the Supercab design space provides you with a lockable storage space while smaller valuables can be safely kept in the lockable glovebox, giving you peace of mind.



**Airbags**

Driver and front passenger airbags are standard across the range. There are also optional side head/thorax airbags for added protection.\*

**Supercab design**

Provides a generous space behind the seats that also gives you a lockable storage area.

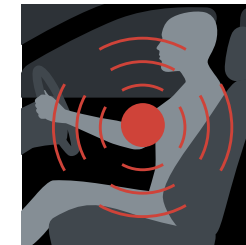


**ABS**

The latest Anti-lock Braking System with Electronic Brakeforce Distribution is standard across the range.

**Limited-slip differential<sup>†</sup>**

Helps to maintain traction on slippery surfaces or where the rear wheels are on different types of road surface.



**Immobiliser.**

Standard on all models, the electronic immobiliser provides high security protection for your Falcon Ute.



**Keyless entry.**

Remote control flip key gives you the ease and added convenience of keyless entry with central locking.



**Dynamic Stability Control.<sup>†</sup>**

Dynamic Stability Control (DSC)<sup>†</sup> helps you avoid the problems of oversteer and understeer using ABS and Traction Control. DSC helps keep your vehicle travelling in the intended direction to avoid a potential accident.



**Perimeter alarm.<sup>‡</sup>**

Choose to raise the level of protection for your Falcon Ute with an advanced perimeter alarm.

\*Only available in optional Safety Enhancement Pack. †Standard on XR6 Turbo and XR8, optional on Falcon Ute, R6 and XR6. ‡Standard on XR models. Optional on Falcon Ute and R6 models. ‡Available in optional Safety Enhancement Pack or as a Genuine Ford Accessory.

## ENGINE

### Power and performance.

#### A range of advanced, powerful engines and smooth responsive transmissions, lift your driving experience to a new level.

When it comes to a selection of engines and transmissions the Falcon Ute spoils you for choice. From the breathtaking grunt of the Boss 290 V8 to the E-Gas engine which is just as big on power as it is on fuel cost savings, there's an engine just right for your needs. And they're backed up by ultra-smooth, responsive transmissions, a car-like front suspension system and precision tuned rear suspension that gives you incredible control and a smoother ride.



#### Transmissions.

Get more involved with the responsive 6-speed manual or choose the car-like smoothness of the optional 5-speed automatic or optional 6-speed auto.\*A 4-speed automatic transmission with Sequential Sports Shift is standard on the E-Gas engine.

\*Optional on the XR6 Turbo and XR8 only.



Falcon XR8 Ute shown with optional 19" alloy wheels, optional towpack, accessory EGR hard tonneau cover and alloy sports bar.



#### Boss 290 V8 engine.

The advanced 5.4L V8 takes high performance to a whole new level with 290kW of power and 520Nm of torque.

#### 4.0L Turbo I6 engine.

Delivers the type of performance that is guaranteed to get the adrenalin pumping. The turbo system creates an awesome 270kW of power and 533Nm of torque.

#### 4.0L I6 engine.

This torquey yet fuel efficient engine, boasting 195kW of power and 391Nm of torque, is gutsy enough to pull hefty loads.



#### 4.0L E-Gas I6 engine.\*

Cutting back on costs doesn't mean sacrificing performance. With 156kW of power and 371Nm of torque, the E-Gas engine<sup>^</sup> delivers superb driving dynamics and all the muscle you need to carry and pull heavy loads. With petrol prices rising, it's a good time consider the alternatives and with LPG you can save up to 35%<sup>\*</sup> compared with petrol when travelling over the same distance. Falcon Ute is still the only Australian built Ute with a factory fitted dedicated LPG engine and unlike dual fuel vehicles, which require the maintenance of 2 fuel systems, the E-Gas engine is built to specifically run on LPG so you'll benefit from the cost savings every time you turn the key. What's more, there's no sacrifice in load space as the LPG tank is fitted in place of the petrol tank. And, now with the \$2,000 Federal Government rebate on factory fitted LPG systems,<sup>†</sup> there's no better time to make the switch to a Falcon Ute with E-Gas.

<sup>^</sup>Optional E-Gas engine not available on Falcon XR6 Turbo or XR8 Ute models. <sup>\*</sup>Fuel costs and savings calculated using ADR 81/02 fuel consumption figures of 11.5L/100km (Falcon Ute Styleside Box with 4.0L petrol engine and optional 5 speed auto) and 16.2L/100km (Ford Falcon Ute Styleside Box with optional E-Gas engine and 4 speed auto). Estimated fuel costs are calculated using the average fuel price for the five major Australian capital cities of 60.89 c/L (LPG) and 132.42 c/L (unleaded petrol) from May 1, 2008 to April 30, 2009. Source: [www.motormouth.com.au](http://www.motormouth.com.au). The estimated fuel cost savings are based fuel cost to travel 20,000km and are: Falcon Ute Styleside Box 4.0L petrol \$3,045.66 and Falcon Ute Styleside Box E-Gas \$1,972.84. Fuel cost savings are true for the example given and changes in unleaded petrol and LPG prices will alter the cost savings calculations. <sup>†</sup>Grant available to private use customers of new vehicles only. For more information on Government grant requirements see [www.ausindustry.gov.au](http://www.ausindustry.gov.au)

The Falcon XR Ute is all about being able to play just as hard as you work. While the imposing full body styling kit, low stance and alloy wheels catch your eye, it's the mind-blowing performance that really sets the XR Ute apart from the pack.



# Play hard



PLAY HARD

**Looks you can't miss.**

**With its sporty, sleek lines and commanding road presence, there's simply no mistaking the mighty Falcon XR Ute.**

With its dynamic looks there are very few vehicles that grab your attention quite like the Falcon XR Ute. The striking combination of unique XR headlamps, fog lights, front bumper and alloy wheels, ensures the XR Ute continues a remarkable tradition. And depending on your desire for personalisation, there's a choice of stylish accessory hard tonneau covers, optional 18" and 19" alloy wheels\* plus an accessory chrome sports bar to give you the ultimate look for the street.



**XR8 bonnet bulge.**

The iconic bonnet bulge on the XR8 Ute hints at the awesome power lurking just beneath.

\*18" alloy wheels only available in optional XR Sports Pack.



Falcon XR8 Ute shown with optional 19" alloy wheels, accessory EGR hard tonneau cover and spoiler.



Falcon XR6 Turbo Ute shown with optional 19" alloy wheels, accessory EGR hard tonneau cover and alloy sports bar.

RANGE

**The Falcon Ute range.**

Everybody's needs are different. Whether you're looking for a real workhorse, an eye-catching vehicle that delivers pulse-quickening performance, or you want the outstanding economy of an LPG engine, the Falcon Ute range has a vehicle that's just perfect for you.



Falcon Ute Cab Chassis



Falcon Ute Styleside Box



Falcon R6 Cab Chassis



Falcon R6 Styleside Box



Falcon XR6 Cab Chassis



Falcon XR6 Styleside Box



Falcon XR6 Turbo Ute



Falcon XR8 Ute



**Exterior Colours.**



Winter White



Seduce



Lightning Strike



Nitro



Ego



Sensation



Mystic



Silhouette



Vixen



Velvet



Harmony



Viper



Dash



Steel

Model	Falcon Ute / R6	XR
Winter White	✓	✓
Vixen	✓	✓
Lightning Strike*	✓	✓
Sensation*	✓	✓
Ego*	✓	✓
Silhouette*	✓	✓
Steel*	✓	✓
Harmony*	✓	-
Seduce*	-	✓
Dash*	-	✓
Nitro*	-	✓
Mystic*	-	✓
Viper*	-	✓
Velvet*	-	✓

✓ - Available. -- Not available.

\*Prestige paints are optional extras that incur an additional charge.



XR interior shown with optional XR Luxury Pack.

### Falcon Ute Interior seat trims.

With such a striking range of interior seat trims, colours and XR seat trims including leather trim sports seats available, you can personalise your Falcon Ute to perfectly suit your driving mood.

#### Falcon Ute seat trim



#### Falcon R6 seat trim



#### Falcon XR seat trims



FALCON UTE AND R6 - MODEL / SEAT TRIM COLOUR COMBINATIONS		
SEAT TRIM	Falcon Ute	R6
Industry and Control Shadow	S	-
Pulse and Sonic Shadow	-	S

S - Standard. -- Not available.

XR - EXTERIOR PAINT / SEAT TRIM COLOUR COMBINATIONS					
EXTERIOR PAINT/ SEAT TRIM	Streetwise Graphite and Attitude Shadow	Streetwise Dark Silver and Attitude Shadow	Streetwise Red and Attitude Shadow	Streetwise Blue and Attitude Shadow	Nudo Shadow Leather with Silky Blue Stitch
Winter White	S	NCO	NCO	NCO	O/P
Ego	S	NCO	NCO	NCO	O/P
Silhouette	S	NCO	NCO	NCO	O/P
Lightning Strike	S	NCO	NCO	NCO	O/P
Sensation	S	NCO	-	NCO	O/P
Nitro	S	NCO	-	NCO	O/P
Vixen	S	NCO	NCO	-	O/P
Seduce	S	NCO	NCO	-	O/P
Steel	S	NCO	-	-	O/P
Dash	S	NCO	-	-	O/P
Mystic	S	NCO	-	NCO	O/P
Velvet	S	NCO	NCO	-	O/P
Viper	S	NCO	-	-	O/P

S - Standard. NCO - No Cost Option. O - Leather trim is optional at an additional cost. -- Not available. P - Part of optional pack.



## Personalise your Falcon Ute. The choice is yours.

You'll quickly discover that the Ford Vehicle Personalisation accessory range lets you personalise your Falcon Ute to perfectly suit your needs. Whether it's practical and functional items to enable you to work smarter, accessories to meet the needs of your active lifestyle or sporty extras to make your Falcon Ute stand out from the crowd, all of these accessories are available from your Ford Dealer.



**Soft tonneau cover.** The new flush-fit soft tonneau cover is stylish and flexible enough to handle a range of load types, including the ability to fit the tonneau cover securely over high loads. Also available for fitment with EGR sports bar. (sold separately)



**EGR hard tonneau cover.\*** Lightweight and impact resistant, this cover helps keep your equipment secure and protected from rain and dust. Available in a flat or power bulge design. Can be matched to EGR sports bar (sold separately).



**Spoiler.** Designed for use with the EGR hard tonneau cover with power bulge. Makes your Falcon Ute look even more sporty.



**XR waterproof seat covers.** Help protect your seat fabric from dirt, sand, liquids and everyday wear and tear with these cleverly designed neoprene covers.



**Garmin Nüvi 260W portable satellite navigation system.\*** Light and ultra slim with a 4.3" widescreen display, this advanced unit also features a picture viewer, calculator, currency convertor, unit convertor and world clock.



**Cabin tidy.** The clever design of the cabin tidy makes it ideal for storing loose items.



**Fridge 'Day Tripper' 15L.** Connects to the 12V power outlet in the vehicle to keep food and drinks cool on the worksite.



**16" x 7" 5-spoke alloy wheels.** Enhance the sporty look of your Falcon Ute.



**Towpack.** Whether it's for work or a weekend away, there is a Genuine Ford towpack to suit your needs. Choose the standard towpack for a carrying capacity of up to 1,600kg, or the heavy duty towpack (including load levelling kit) for towing up to 2,300kg\*.



**Rubber floor mats.** Help protect the floor of your vehicle from water, mud and sand with this set of four premium, heavy duty rubber floor mats.



**Scuff plates.** Enhance the appearance of your Falcon Ute with these stylish alloy scuff plates. Available as a set of two front scuff plates featuring either the 'Ford' or 'XR' logo.



**EGR sports bar.\*** Featuring aggressive and sporty styling, this strong, polished stainless steel sports bar will enhance the look of your Falcon Ute.

OPTIONS AND ACCESSORIES AVAILABILITY BY MODEL

	FALCON UTE		R6		XR6		XR6 TURBO	XR8
	C/C	SSB	C/C	SSB	C/C	SSB	SSB	SSB
<b>ACCESSORIES – EXTERIOR STYLING</b>								
16" x 7" 5-spoke alloy wheels (rated 1-tonne) <sup>1</sup>	O/A	O/A	A	A	O <sup>2</sup>	-	-	-
18" x 8" XR 5-spoke alloy wheels <sup>1</sup>	-	-	-	-	P/A <sup>3</sup>	P/A	P/A	P/A
EGR 3 piece hard tonneau cover <sup>4</sup>	-	A	-	A	-	A	A	A
EGR 1 piece hard tonneau cover <sup>4</sup>	-	A	-	A	-	A	A	A
EGR flat hard tonneau cover <sup>4</sup>	-	A	-	A	-	A	A	A
EGR leather grain hard tonneau cover <sup>4</sup>	-	A	-	A	-	A	A	A
EGR sports bar <sup>4</sup>	-	A	-	A	-	A	A	A
Spoiler	-	A	-	A	-	A	A	A
Mullins Raker 16" alloy wheels <sup>1, 4, 5</sup>	-	-	-	A <sup>3</sup>	-	-	-	-
Mullins Raker 17" alloy wheels <sup>1, 4, 5</sup>	-	-	-	-	A <sup>3</sup>	A	A	A
Mullins Haze 17" alloy wheels <sup>1, 4, 5</sup>	-	-	-	-	A <sup>3</sup>	A	A	A
Mullins Raker 18" alloy wheels <sup>1, 4, 5</sup>	-	-	-	-	A	A	A	A
Mullins Raker 18" chrome alloy wheels <sup>1, 4, 5</sup>	-	-	-	-	A	A	A	A
Mullins Tease 18" chrome alloy wheels <sup>1, 4, 5</sup>	-	-	-	-	A	A	A	A
Mullins Vanquish 18" alloy wheels <sup>1, 4, 5</sup>	-	-	-	-	A <sup>3</sup>	A	A	A
Mullins Haze 18" alloy wheels <sup>1, 4, 5</sup>	-	-	-	-	A <sup>3</sup>	A	A	A
Mullins Haze 18" chrome alloy wheels <sup>1, 4, 5</sup>	-	-	-	-	A <sup>3</sup>	A	A	A
Mullins Stealth 18" chrome alloy wheels <sup>1, 4, 5</sup>	-	-	-	-	A	A	A	A
Mullins Subb 18" chrome alloy wheels <sup>1, 4, 5</sup>	-	-	-	-	A	A	A	A
Mullins Vanquish 19" alloy wheels <sup>1, 4, 5</sup>	-	-	-	-	-	A	A	A
<b>ACCESSORIES – EXTERIOR PROTECTION</b>								
Bonnet protector / headlamp guards / weathershields	A	A	A	A	A	A	A	A
Lights on feature	A	A	A	A	A	A	A	A
Mudspats - front <sup>6</sup>	A	A	A	A	A	A	A	A

	FALCON UTE		R6		XR6		XR6 TURBO	XR8
	C/C	SSB	C/C	SSB	C/C	SSB	SSB	SSB
<b>ACCESSORIES – EXTERIOR PROTECTION (continued)</b>								
Soft tonneau cover <sup>7</sup>	A	A	A	A	A	A	A	A
<b>ACCESSORIES – INTERIOR STYLING, COMFORTS AND STORAGE</b>								
Carpet mats / rubber floor mats	A	A	A	A	A	A	A	A
Scuff plates (set of 2)	A	A	A	A	A	A	A	A
Cabin tidy	A <sup>8</sup>	A <sup>8</sup>	A	A	A	A	A	A
Cargo swing net	A	A	A	A	A	A	A	A
Dash mat	A	A	A	A	A	A	A	A
Pollen filter	A	A	A	A	A	A	A	A
Smoker's pack	A <sup>8</sup>	A <sup>8</sup>	A	A	A	A	A	A
XR waterproof seat covers <sup>9</sup>	-	-	-	-	A	A	A	A
<b>ACCESSORIES – IN CAR ENTERTAINMENT AND ELECTRICAL</b>								
Garmin Nüvi 260 portable satellite navigation system <sup>4</sup>	A	A	A	A	A	A	A	A
Garmin Nüvi 260W portable satellite navigation system <sup>4</sup>	A	A	A	A	A	A	A	A
Garmin Nüvi 760 portable satellite navigation system <sup>4</sup>	A	A	A	A	A	A	A	A
Single zone automatic climate control	O/A	O/A	O/A	O/A	S	S	S	S
Bluetooth® mobile phone integration <sup>10</sup>	P/A	P/A	P/A	P/A	P/A	P/A	P/A	P/A
iPod Integration <sup>8, 11</sup>	P/A	P/A	P/A	P/A	P/A	P/A	P/A	P/A
Fridge 'Day Tripper' 15L/fridge power adaptor	A	A	A	A	A	A	A	A
<b>ACCESSORIES – SAFETY AND SECURITY</b>								
Perimeter alarm	O/A	O/A	O/A	O/A	O/A	O/A	O/A	O/A
<b>ACCESSORIES – TOWING AND CARRYING</b>								
Towpack - standard 1600kg rated (auto)/1200kg rated (manual) <sup>12</sup>	O/A	O/A	O/A	O/A	O/A	O/A	O/A	O/A
Towpack - heavy duty 2300kg rated (incl. load levelling kit) <sup>12, 13</sup>	A	A	A	A	A	A	A	A
Rhino-Rack Sportz carry bars <sup>4</sup>	A	A	A	A	A	A	A	A

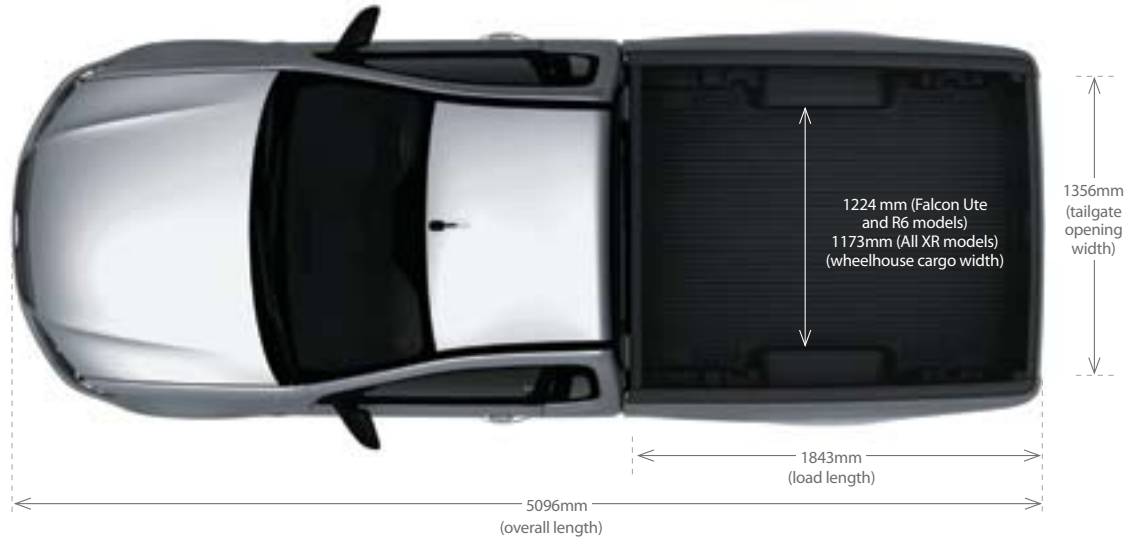
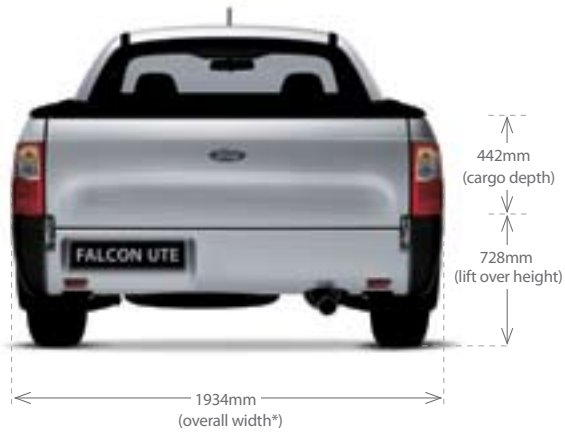
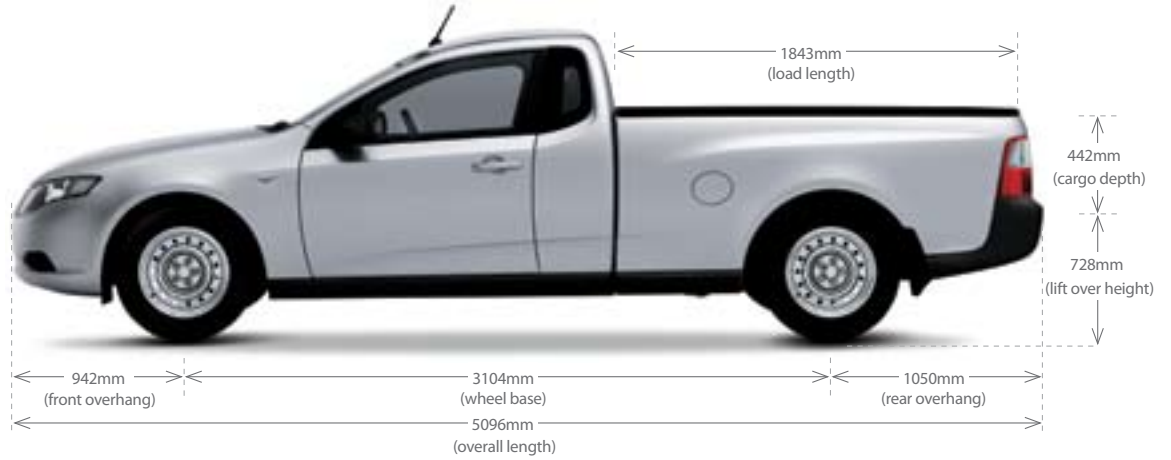
S - Standard. O - Optional. A - Accessory that can be added at any time. - - Not available. P - Part of optional pack.

1. Wheels and tyres sold separately when fitted in Dealership. 2. Only fitted with optional 1-tonne suspension. 3. Not available with optional 1-tonne suspension. 4. This accessory is a Supplier Branded Accessory and is not manufactured or warranted by Ford. The warranty is provided by the manufacturer of the accessory. Contact your Authorised Ford Dealer for details of the manufacturer's warranty applicable to this accessory. 5. It is recommended that tyres matching original equipment specification be fitted to Mullins alloy wheels. Not available with optional E-Gas engine. 6. Rear mudspats standard on Falcon Ute models. 7. Available for standard Styleside Box, for sports bar and when optional factory aluminium tray is fitted to Cab Chassis models. 8. Not available when optional column shift automatic is specified. 9. Driver and front passenger seat covers sold separately. 10. Only suitable for Bluetooth® compatible phones. Bluetooth® is a registered trademark of Bluetooth SIG, Inc. and is used under license. 11. iPod is a trademark of Apple Inc. Please refer to www.ford.com.au for iPod compatibility. 12. Subject to State and Territory regulations. 13. Available on automatic transmission models only.





## Styleside Box

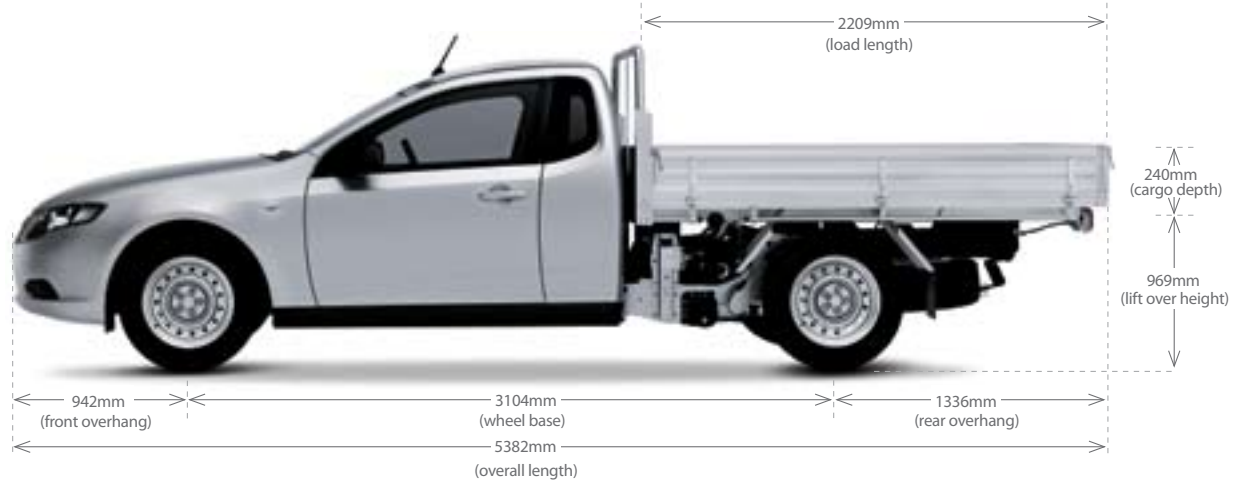


\*Excludes side mirrors.

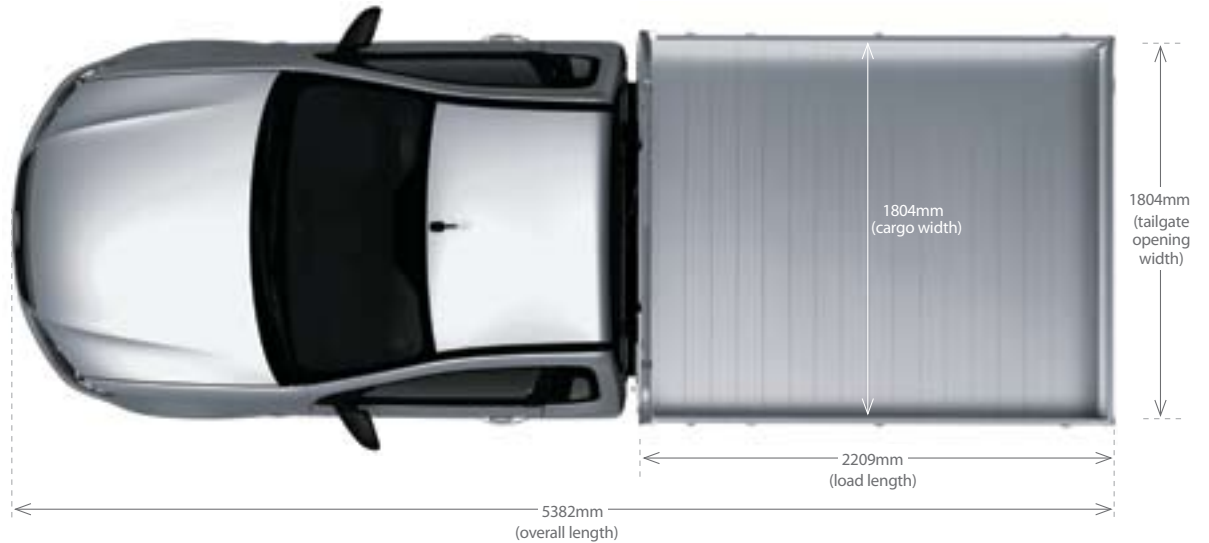
# Cab Chassis



1897mm  
(overall width\*)



1897mm  
(overall width\*)



\*Excludes side mirrors.



## Making your ownership experience even more rewarding.

A great car is just the beginning. We support you with a wide range of services that aim to make you one of the most satisfied vehicle owners in Australia. Speak to your Ford Dealer today about how we can help you make the most out of your vehicle ownership experience.

### Ford Roadside Assistance

Our commitment to your complete satisfaction plays a major role in everything we do. That is why we provide Ford Roadside Assistance for all Ford Falcon Ute models. Wherever and whenever you need emergency roadside assistance, help is available 24 hours a day, 365 days a year. If your vehicle breaks down and cannot be repaired, we will organise to transport your vehicle to the nearest Ford Dealer or approved service centre for repair. Ford Roadside Assistance is valid for 1 year from the vehicle's first registration.

### 3 year/100,000km new car warranty:#

For three years or 100,000km, whichever comes first, your Ford is covered against any defects in factory materials or workmanship. This also applies to Genuine Ford Accessories you may have had fitted before you took delivery.

### 5 year warranty against perforation corrosion:#

It's reassuring to know that the original body of your gleaming new Ford is guaranteed against perforation corrosion for the first five years of its life. If perforation corrosion occurs, we'll fix it for free.

### Want to contact us?

For answers to your questions, or help with any concern, contact our Customer Relationship Centre on 13 FORD (13 3673).

### Running a fleet?

Our Ford Business Centre is available to assist fleet customers with information on Ford products and services. Call 1300 13 13 30.

### Visit us on the web.

If you want more information on Ford or our entire product range, visit us on the Internet at [ford.com.au](http://ford.com.au)

#Conditions and exclusions apply. See your authorised Ford Dealer for details.

This brochure is designed to provide you with a general introduction to the Ford Products (including available optional equipment) referred to, and should be read in conjunction with the latest specification sheet. Because of changes in conditions and circumstances Ford\* reserves the right, subject to all applicable laws, at any time, at its discretion, and without notice, to discontinue or change the features, designs, materials, colours and other specifications and the prices of their products, and to either permanently or temporarily withdraw any such products from the market without incurring any liability to any prospective purchaser or purchasers. The latest specification sheet should be referred to for information on the availability, ordering and use of optional equipment. Always consult an authorised Ford Dealer for the latest information with respect to features, specifications, prices, optional equipment and availability before deciding to place an order. \*FORD MOTOR COMPANY OF AUSTRALIA LIMITED. (A.B.N. 30 004 116 223) Registered Office: 1735 Sydney Road, Campbellfield, Victoria 3061, Australia. Printed July 2009. FML8049\_eb







[ford.com.au](http://ford.com.au)