

Holden Calais Berlina



go to the next level



Defy convention

This is where the compromise ends. No more sacrificing performance for style. Handling for luxury. Or build quality for affordability.

Now you can go to the next level with real choice. New Holden Calais, the ultimate fusion of sports performance and luxury. New Holden Berlina, the epitome of sophisticated motoring.

Both feature potent, rear wheel drive power. Road-gripping dynamics. Space to seat five adults in genuine comfort. And end-to-end refinement – inside and out.

Both come with a long list of luxurious touches, advanced safety features and sophisticated driver technology. And unlike their higher priced European rivals, both are designed from the ground up for Australian drivers and the unique demands of Australian driving conditions.

The culmination of an epic 6-year development journey, these world-class vehicles are testament to the vision, technical brilliance and driving passion of Holden's engineers.

They defy convention. Exceed all expectations. Make the impossible, possible. The new Calais or the new Berlina – which way will you go?



All you need is a corner

It is the most tested suspension architecture in Holden's history: computer modelled, prototyped and refined on test tracks, city streets, outback gravel tracks – even the icy roads of Sweden and New Zealand in winter.

And yet to appreciate the class-leading dynamics of the new Calais and the new Berlina, all you need is a corner.

Choose your line and go powering through. The new Linear Control Suspension with forward mounted steering rack and variable ratio steering, keeps the vehicle flat and composed. More akin to a small sports car than a refined five-seater, the handling is precise, responsive and stable. The road feel, exemplary.

Even more impressive, this sports-like handling is delivered without compromise to ride comfort, which remains supple and compliant. In short, perfect for effortless touring – the hallmark of true luxury motoring.

The four-wheel disc brakes are large, durable and designed to resist fade – even under heavy use. Tyres have been purpose designed for each of the three models to meet strict performance objectives. Together with the all new suspension and on-board vehicle dynamic control systems, they bring the new Calais and the new Berlina to a stop in minimal time, with optimum control.



Perfect proportions

Admit it. You can't take your eyes off the new Calais. Holden designers are the same – and they've been looking at it daily since it was nothing more than a few lines on a sketch pad.

The perfect proportions of its dynamic body contours. The menacing grille and sloping stance. The 17 inch wheels. The short front and rear overhangs. The flared wheel guards and fender vents. Without even turning the key, you know it has all the go you could ever want.

Visual cues also confirm Calais as a vehicle of luxury. The distinguished palette and sports suspension. The finely machined alloy wheels. The projector headlamps and low mounted fog lamps.

A delight to behold in every way, Calais is not just a class above – it's in a class of its own.



Irresistible, overall luxury

Searching for an adjective? Good luck. Not one word could possibly convey the attention to detail applied to the new Calais and Berlina interiors.

The design process was exhaustive. Thousands of leathers, suedes, fabrics and stitching techniques were evaluated. Hundreds of colours, patterns, grain textures and finishes were developed. Seats, head and arm rests, door panels and handles were all designed and refined, over and over again, until perfect in every respect.

And to ensure a level of build excellence comparable to Europe's most esteemed luxury marques, an entire production line was stripped and rebuilt to operate within the narrowest tolerances in Holden's history.

The result is a cabin of refined appointments and elegant proportion. One where the quality inherent in each element combines to create an irresistible, overall luxury. Where quality of thought engenders a sense of harmony and order. And where quality motoring is guaranteed, everywhere you go.

The evidence, literally, is all around you. The six disc CD, MP3 compatible audio system. Dual zone climate control air conditioning. Electronic Park Assist. Power seats. Leather wrapped steering wheel and gearshift. Cruise control and trip computer. Integrated Bluetooth connectivity. All are standard. And that's just for starters.

Also standard is that unique road connection, so much a part of the Holden experience. For the true driving enthusiast, there is no greater indulgence.



A dash of distinction

The data and control you need, when and where you need it. Calais and Berlina offer a commanding view of vehicle performance, status and systems, without compromising focus on the road ahead.

Driver information is divided into two distinct zones. The 'essentials' go directly in front of you across the driver display, four instrument dials and three digital readouts. Secondary information goes on the centre instrument panel.

Controls are placed intuitively and – through intelligent use of chrome and tactile soft rubber grips – feel the way you expect.

The most frequently used systems – audio, trip computer, Bluetooth and optional turn-by-turn satellite navigation – can all be operated from the steering wheel via scroll wheels and buttons. Lights, indicators and wiper stalks are also close at hand.

Full dual zone air conditioning and audio system controls are located within easy reach on the sweeping centre instrument panel, with settings displayed on the multifunction display.

But if you think all this sounds impressive, wait until you play your favourite CD through the audio system. Left and right directional high frequency speakers are located in the dashboard. A mid range speaker is above the centre instrument panel. And high mounted base/mid range speakers are on all four doors. The result is music to your ears.

New Berlina also features an elegant wood grain accent, while Calais V-Series sports genuine aluminium – a dash of distinction, indeed.



Calais



Berlina



Calais V-Series

Safety

Your safety is priority number one. The new Calais and Berlina's advanced multi-layered driver defence system surrounds you – literally – with state-of-the-art active and passive safety features. The former to help prevent collisions; the latter to help prevent injury in the event of a collision.

Active safety

Up to 200 times a second – that's how often new Calais and Berlina's active safety systems monitor on-road dynamics – everything from the vehicle's speed, lateral acceleration and rotation, to the steering wheel angle and brakeforce you apply.

When normal tolerances are exceeded, one or more of the following systems initiate integrated – non-intrusive – counter measures to help ensure you retain maximum control of the vehicle.

Co-ordination of active safety features
Be it from the Electronic Stability Program (ESP®) for turning and cornering. The Traction Control System (TCS) that minimises slip when accelerating. Or the Anti-lock Braking System (ABS) with Electronic Brake Assist (EBA) and Electronic Brakeforce Distribution (EBD) that helps you stop quickly with maximum control. You can expect 360° support from new Calais and Berlina's integrated active safety systems.

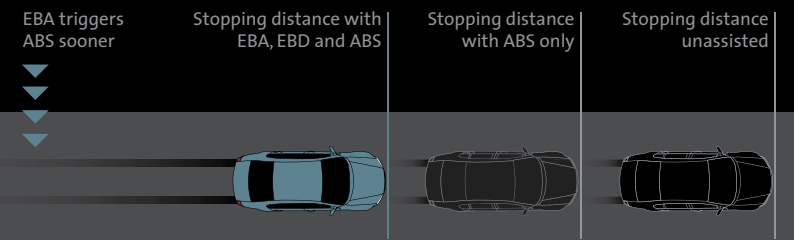
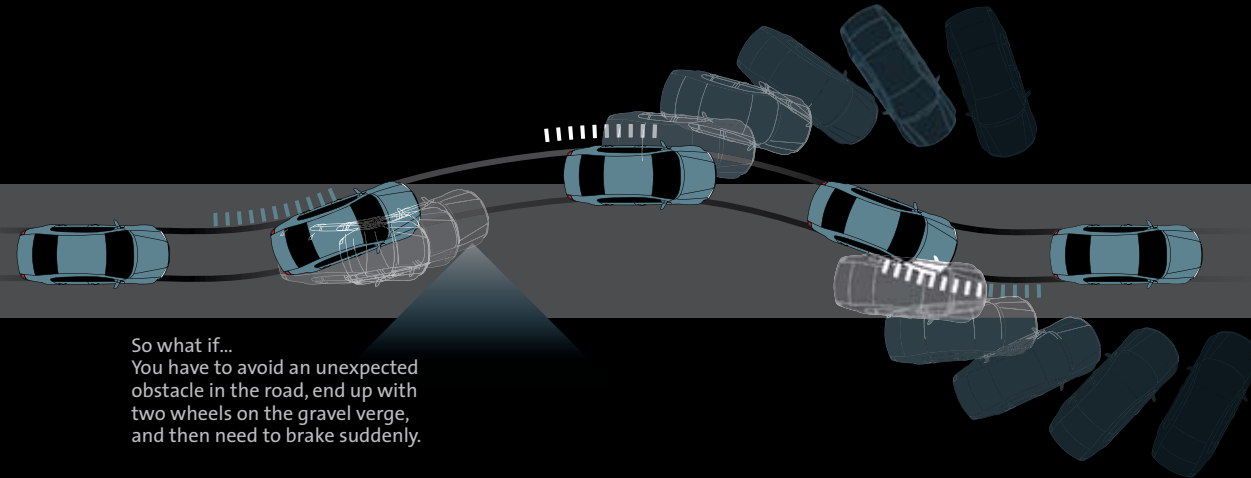
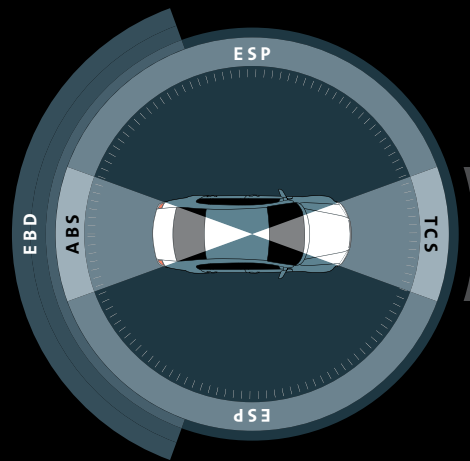
ESP® Electronic Stability Program
ESP® constantly compares the vehicle's movements with the steering wheel angle to determine if the vehicle is moving in the direction you intend. If skidding appears imminent, ESP® applies brake pressure to individual wheels as appropriate and, if necessary, trims engine power. This dramatically increases turning and cornering safety, especially in 'evasive action' situations.

TCS Traction Control System
Designed to minimise slippage during acceleration, TCS recognises if either rear wheel has insufficient grip and adjusts drive force and brakeforce accordingly. It reduces wheelspin when accelerating on wet and icy roads, and also in 'split' conditions, such as when a vehicle has two wheels on bitumen and two on a gravel verge.

ABS Anti-lock Braking System
If wheel 'lock up' is detected under forceful braking, ABS momentarily reduces brake pressure at the affected wheel. This improves braking efficiency – reducing stopping distances on most surfaces – and helps maintain steering control and ensures the vehicle remains directionally stable.

EBA Electronic Brake Assist
In emergency braking situations, few drivers actually press the brake pedal firmly enough to achieve maximum braking performance. EBA is designed to sense how fast you press the brake pedal in an emergency, and maximise braking pressure to optimise braking performance.

EBD Electronic Brakeforce Distribution
When a vehicle brakes, weight transfers to the front wheels. By regulating the brakeforce applied to each wheel, EBD ensures optimal balance between front and rear brakes, which helps minimise stopping distances.



So what if... You have to avoid an unexpected obstacle in the road, end up with two wheels on the gravel verge, and then need to brake suddenly.

ESP® brakes the left rear wheel momentarily to avoid understeer.

TCS reduces torque to the left rear wheel to reduce slip.

ESP® brakes the right front wheel momentarily and reduces engine power to correct oversteer.

Sensing an emergency stop, EBA initiates maximum brakeforce, ABS maximises brake efficiency and EBD maintains optimal front/rear brake balance.

Passive safety

A collision is a contest between impact energy and your vehicle's safety features. You want everything possible on your side.

That's why the new Calais and Berlina feature Holden's Adaptive Occupant Restraint System – which includes dual-stage front airbags for driver and front passenger – as well as multiple load paths to help channel impact energies and a safety cell reinforced with ultra high strength steel.

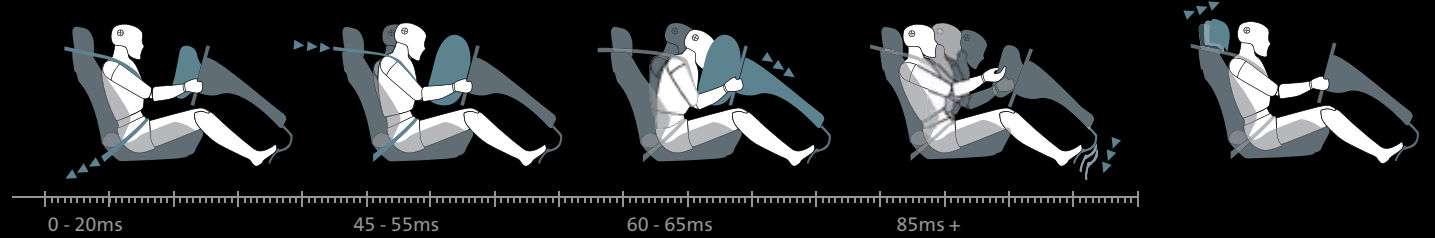
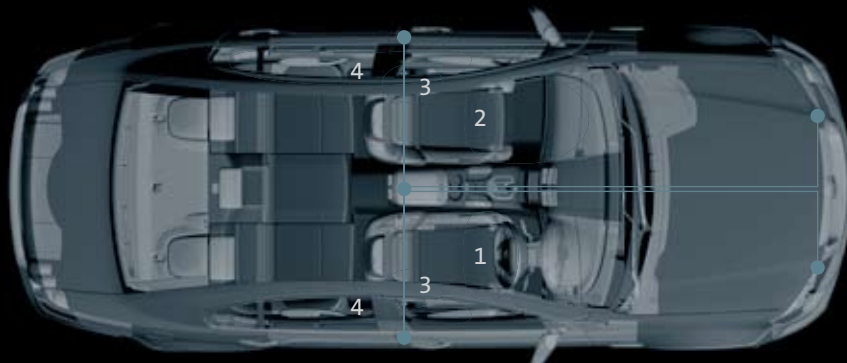
Most impressive of all, in a frontal crash, the new Calais and Berlina can automatically initiate and co-ordinate all on-board passive safety measures in an incredible 90 milliseconds – about the time it takes to snap your fingers.

Co-ordination of passive safety features
To protect occupants from collision forces, Holden's Adaptive Occupant Restraint System uses forward and side sensors to detect the severity and direction of a collision, triggering the appropriate passive safety measures.

Safety cell, crumple zones and load paths
In frontal and rear collisions, impact energy is absorbed by crumple zones and channelled away from the driver and occupants via multiple load paths.

Multiple load path strategies are also integral to side impact protection, as is the vehicle's safety cell. Strategically reinforced with steel seven times stronger than normal, it offers significantly increased protection against passenger safety cell intrusion.

- crash sensors
- 1 driver's front airbag
- 2 passenger's front airbag
- 3 side impact airbags
- 4 curtain airbags
- 5 front crumple zone
- 6 passenger safety cell
- 7 rear crumple zone



Pyrotechnic seatbelt pretensioners
When an impact of sufficient severity is detected, small explosive charges force the front seatbelt buckles towards the cabin floor. This tightens the seatbelts and holds both driver and front passenger firmly against their seats.

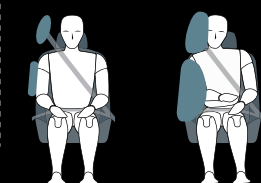
Dual-stage front airbags
For maximum protection in certain frontal collisions, the front airbags for driver and front passenger inflate in two stages, according to the impact severity and their respective seat positions.
The 60 litre driver airbag can fully inflate in 45 milliseconds. The front passenger airbag, which is oversized, can inflate to a full 125 litres in just 55 milliseconds.

Curtain and side impact airbags
Side curtain airbags* provide head and upper body protection for front passengers and left and right rear passengers in side-on collisions. Side impact airbags provide additional chest and thorax protection for the driver and front passenger.

Load limiters
Following airbag deployment, load limiters unspool the front seatbelts incrementally to minimise the risk of seatbelt related injury.
Steering and brake pedal safety
In severe frontal impacts, the steering wheel can collapse bi-directionally and, to prevent leg injury, the brake pedal detaches.

Active front seat head restraints
In rear collisions, active head restraints^ tilt forward, closing the distance between your head and your seat's headrest, thus reducing the risk of whiplash injury to the neck.

Emergency shutdown
Following a collision where airbags or seatbelt pretensioners have deployed, on-board safety systems will turn off the engine and fuel pump, unlock the doors and turn the hazard and interior lights on, if battery power is available.



* Side curtain airbags are standard on Calais and Calais V-Series and optional on Berlina
^ Active head restraints are standard on Calais and Calais V-Series
ESP® is a registered trademark of Daimler Chrysler AG

Innovation comes in all shapes and sizes in the new Calais and Berlina. From the futuristic component synchronisation and optional on-board telematics, to the sublime convenience of integrated Bluetooth connectivity.

Technology, not for technology's sake, but for you – the driver. To better protect you and your investment. Make it easier for you to get from journey's start to end. And to create a driving experience richer and more rewarding than ever before.

Read on, you'll get the idea. Then factor in the modest price tag for these stunning new vehicles. Calais V-Series, Calais and Berlina are not only incredibly smart vehicles, each is an extremely smart choice of vehicle.

Holden Assist telematics*

Optional on all models, telematics enables vehicles to send and receive data – and have their position pinpointed at any time – via integrated GSM mobile phone network and global positioning satellite technology.

Owners of telematics-equipped vehicles can take advantage of Holden Assist, a subscription-based interactive security system that provides on-board assistance 24/7, based on one of three service levels:

Holden Assist Secure

- If stolen, Holden Assist can locate and track your vehicle, and working with police, safely immobilise the engine via remote technology.

Holden Assist Ultra

All Secure level features, plus:

- If an airbag is deployed, the system notifies an operator who will attempt to speak with the driver. If there is no response, emergency services are notified.
- If keys are locked in the vehicle, an operator can validate the owner's identity, then unlock the doors remotely.
- In an emergency, the driver can press the SOS button to speak with an operator, who will locate the vehicle and send emergency services if required.
- If roadside assistance is required, on the press of a button the vehicle is located and assistance despatched.
- If the vehicle battery is low, – the system notifies an operator who will attempt to speak with the driver.

GM FleetView

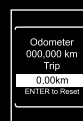
Designed for businesses with on-the-road employees, fleet telematics are designed to increase driver and fleet manager productivity, while encouraging better driver behaviour and greater adherence to occupational health and safety practices. For full details on fleet telematics, call GM Fleet Customer Assistance on 1300 559 696.



Satellite navigation*

Turn-by-turn satellite navigation is optional. Operated via the scroll wheel and buttons mounted on the steering wheel, the system provides visual directions via the driver display and audible directions via the vehicle's audio system.

Calais V-Series and Calais have the added option of full mapping via the colour screen located in the vehicle's centre console.



Trip computer

The on-board trip computer is controlled via the scroll wheel and buttons mounted on the steering wheel. Trip data is shown on the display and, single line displays either side. Depending upon your preferences, the information displayed can include:

- trip distance
- average speed
- average fuel usage
- distance to go
- time to go
- range
- odometer reading
- speed
- overspeed warnings (visual and audible)
- underverspeed warnings (visual and audible)
- rest reminders every two hours of driving time

It is even possible to track two trips simultaneously, for example a short day trip within a long interstate trip.

Personalisation

All models let you tailor a range of vehicle functions to your individual liking, including:

- Departure lighting: when locking your vehicle remotely at night, the headlamps will remain on and turn off automatically after 30, 60, 90 or 180 seconds.
- Approach lighting: when unlocking your vehicle remotely at night, the headlamps can automatically come on for 60 seconds, or not at all.
- Multi-stage unlocking: when unlocking your vehicle remotely, you can have all four doors unlock at once, or the driver's door on the first press and the remaining doors on the second.

Night Panel

At night, interior lighting can be dimmed to leave only the speedometer illuminated. Should your attention be required, the relevant instrument lights up. This reduces driver distraction and fatigue, making it perfect for night driving in the country.

Priority key

All models come with two priority keys, which store individual driver preferences, such as trip computer display options, personalisation settings and radio station presets. Your preferred settings take effect the moment you unlock your car remotely.

Component synchronisation

To deter theft, the audio system, instrument cluster and other key components are electronically synchronised to the vehicle in which they were originally fitted. Unauthorised removal and re-use disables both the vehicle from which a component was taken, and the vehicle into which it is fitted.

Front and Rear Park Assist

The electronic park assist on Calais V-Series automatically provides visual and audible aids when parking the vehicle. Appearing on the centre display, the visual aid shows both the direction and distance of nearby objects.



Bluetooth

Standard on all three models, Holden's integrated Bluetooth technology lets you take and make calls, hands-free, at the touch of a button with Bluetooth compatible mobile phones. The controls are conveniently mounted on your steering wheel, the microphone is housed in the roof console, and the call is heard through the audio system – which automatically mutes whatever is playing at the time. No wires. No cradles.



MP3 player connectivity

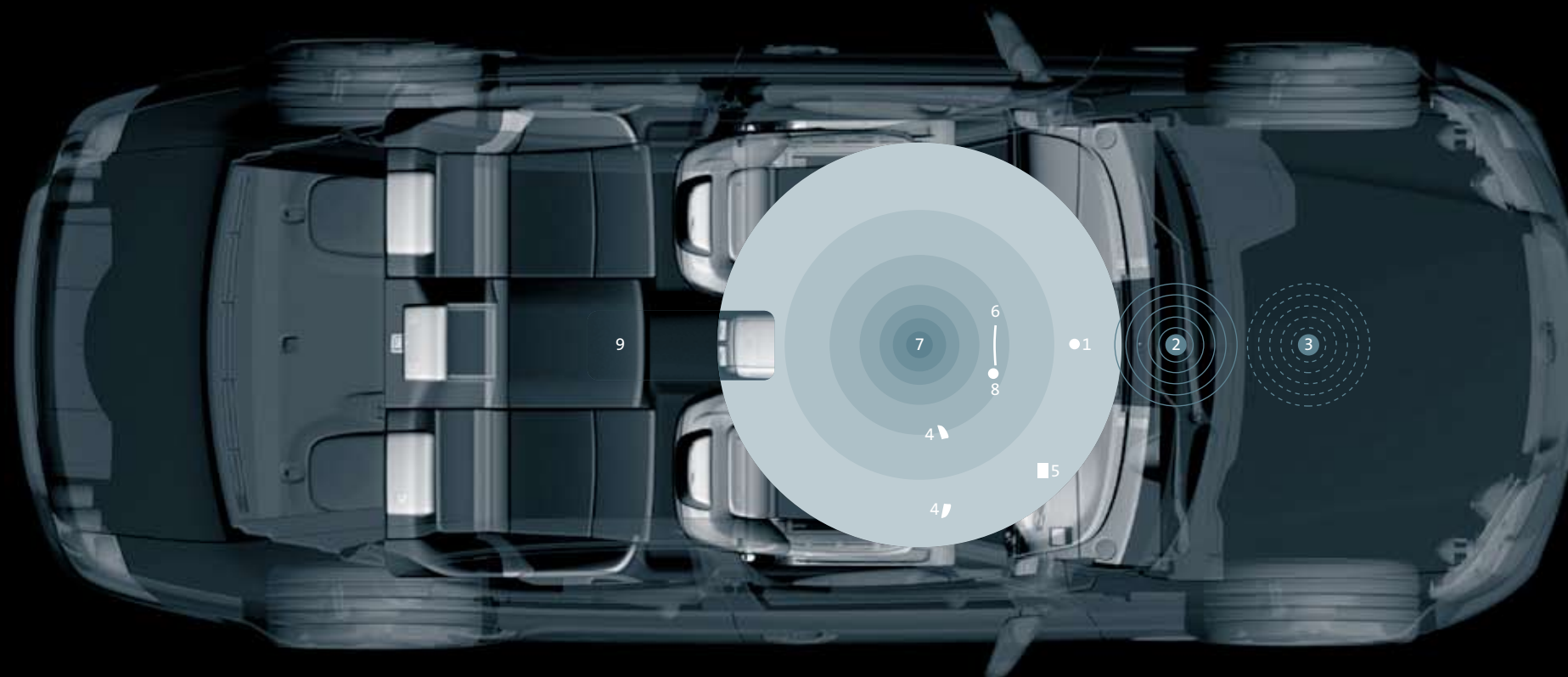
The audio system in all models includes an auxiliary input jack for external music sources, such as MP3 players.



DVD Player

An integrated DVD player with fold down screen is standard on Calais V-Series and optional on Calais and Berlina. Designed for use by rear passengers, it is incorporated into the roof and comes complete with headphones and a remote control.

DVDs can also be shown on Calais V-Series' centre LCD screen when the vehicle is stationary – as they can in the new Calais, if the optional DVD player is fitted.



Location of features when fitted

- 1 Holden Assist SOS button located on rear vision mirror.
- 2 Telematics GSM network transmitter.
- 3 Satellite Navigation GPS transmitter.
- 4 Steering wheel mounted scroll wheel and buttons for controlling satellite navigation, trip computer, audio system, personalising settings and hands-free phone calls using Bluetooth.
- 5 Centre driver display for messages such as satellite navigation directions (where fitted), trip computer data and more.
- 6 Centre console screen displays full audio system data and optional full-colour mapping when satellite navigation is fitted on Calais.
- 7 Microphone for telematics communications and hands-free Bluetooth mobile phone calls.
- 8 Audio system auxiliary input jack for connecting MP3 players.
- 9 Integrated DVD player and screen.

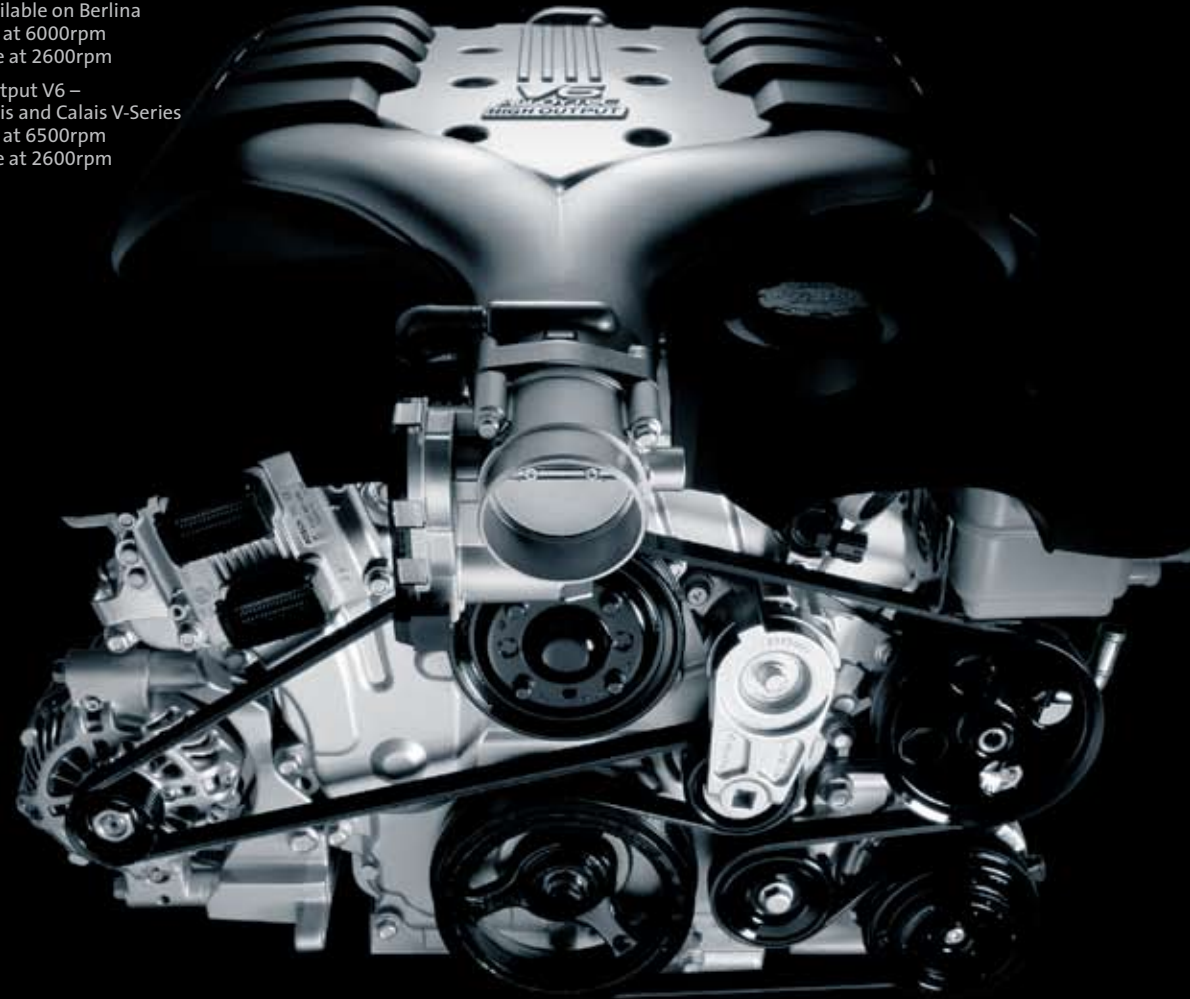
Power

Alloytec V6

Power to spare, from one of the most sophisticated and advanced production engines ever manufactured in Australia. That's what you can look forward to when you turn the key and experience the exhilarating performance of an Alloytec V6 engine.

A proven world-class engine in every respect, it's available in two 3.6 litre variants:

- Alloytec V6 – available on Berlina 180kW of power at 6000rpm 330Nm of torque at 2600rpm
- Alloytec High Output V6 – available on Calais and Calais V-Series 195kW of power at 6500rpm 340Nm of torque at 2600rpm



Generation 4 Alloy V8

For supreme power there's only one choice: the 6.0 litre Generation 4 Alloy V8.

Optional on all models, it generates a brutal 270kW* of power at 5700rpm and 530Nm* of torque at 4400rpm, giving it exceptional performance and towing capabilities. Its features include:

- Aluminium alloy construction, creating a lightweight engine for a smoother ride.
- Less weight in the front end, allowing more precise steering response, which translates into more agile handling.
- A one-piece induction system made from composite materials, for smooth airflow and superior breathing.

* Figures quoted using 98 RON (PULP)



Engine hardware may vary

Transmissions



4-speed automatic transmission
Featuring a new input speed sensor to match engine revs to gear changes, Berlina's 4-speed automatic transmission ensures refined, smooth and consistent gearshifts for discerning drivers.



5-speed automatic transmission with Active Select
Teamed with the Alloytec High Output V6 engine on the Calais and Calais V-Series, the 5-speed automatic transmission with Active Select delivers smooth, crisp – almost seamless – gearshifts.



6-speed automatic transmission with Active Select
Paired perfectly to the optional Generation 4 Alloy V8 engine, the 6-speed automatic transmission has a truly world class shift feel, and delivers improved acceleration and fuel economy. Active Select gives you the added advantage of one touch switching between automatic and manual gear shifting.

Berlina

Distinctive tail light design

Berlina's layered tail light design is both distinctive and effective, providing high visibility signals to the rear and side of the vehicle.

Multifunction leather wrap steering wheel and driver display

Steering wheel mounted scroll wheels and buttons let you adjust audio and trip computer functions via the central driver display. You can change radio stations, adjust the volume, select a different CD track, switch from CD to radio, mute the sound, or scroll to the trip information you want displayed – and not once take your hands off the wheel.

MP3 player connectivity

An auxiliary input jack for external music sources is located at the front of Berlina's 6 disc CD player, allowing you to play music from your MP3 player over the vehicle's 7-speaker sound system.

Multifunction console display

The centre console mounted 6 inch screen displays full audio system details and dual zone air conditioning settings for driver and front passenger. Clear markings, rubberised grips and intuitive actions enable fast, simple and accurate operation.

Integrated Bluetooth for hands-free mobile phone use

Berlina's integrated Bluetooth system allows you to receive and make calls with compatible Bluetooth mobile phones – hands-free – via controls on the leather wrap steering wheel. The audio system even mutes automatically when a call comes in.



With its poised and confident stance, new Berlina has that unmistakable air of a true luxury vehicle. The spacious interior is elegant, comfortable and rich with thoughtful touches. The standard equipment and safety features are reassuringly extensive. The on-road performance, spirited and accomplished. A premium package in every way – except the price tag.

Standard features include:

- 3.6 litre Alloytec V6 engine
- 4-speed automatic transmission
- Electronic Stability Program (ESP®) incorporating:
 - Anti-lock Braking System (ABS)
 - Electronic Brakeforce Distribution (EBD)
 - Electronic Brake Assist (EBA)
 - Traction Control System (TCS)
- Rear Park Assist
- Dual-stage front airbags for driver and front passenger
- Side impact airbags for driver and front passenger
- 7 speaker, 6 disc, MP3 compatible CD system with auxiliary input jack
- 4-way electric adjustment of driver's seat
- Leather wrap steering wheel with illuminated controls
- Dual zone climate control air conditioning
- Night panel illumination
- Front and rear power windows
- Cruise control
- Trip computer
- Front fog lamps
- 17 inch alloy wheels (steel spare)
- Bluetooth compatibility
- 2 priority keys

Calais

6-way power seats for driver and front passenger

With electric seat adjustment, the new Calais makes it easy to find your perfect driving position. You can adjust your seat height, tilt and slide – all at the touch of a button.

5-speed automatic transmission with Active Select

The Active Select function on this smooth and refined transmission, lets you switch from automatic mode to manual, and shift up or down through the gears whenever you want. It's perfect for overtaking, engine braking on steep winding descents or just to get that 'hands-on' driving feel.

Multifunction colour display

The centre mounted full-colour screen displays full audio system details and the dual zone air conditioning settings for driver and passenger. It also provides full-colour mapping when the optional satellite navigation (available late 2006) is installed, and acts as a second DVD display if the optional DVD player is fitted and the vehicle is stationary.

Clear and concise driver information

Layout and lighting of the Calais instrument cluster is designed to convey information quickly, while minimising driver distraction and fatigue. The centre driver display provides audio system settings, trip details, warnings, reminder indicators, phone status and other details according to your personal preferences.



Exhilarating performance and modern automotive refinement fuse in 195kW of boundless, on-road pleasure. A name synonymous with sports luxury sedans for more than 22 years, the new Calais rewards discerning drivers with a compelling blend of power and refined handling, indulgent comfort and sophisticated technology.

Standard features include:

- 3.6 litre High Output Alloytec V6 engine
- 5-speed automatic transmission with Active Select
- Electronic Stability Program (ESP®) incorporating:
 - Anti-lock Braking System (ABS)
 - Electronic Brakeforce Distribution (EBD)
 - Electronic Brake Assist (EBA)
 - Traction Control System (TCS)
- Rear Park Assist
- Dual-stage front airbags for driver and front passenger
- Side impact airbags for driver and front passenger
- Side curtain airbags
- 150W 9 speaker, 6 disc, MP3 compatible CD system with auxiliary input jack
- Dual zone climate control air conditioning
- Leather wrap steering wheel with illuminated controls
- Sports suspension
- 6-way electric adjustment of front seats
- Cloth seat trim with leather bolsters
- Leather wrap gear shifter
- Front and rear power windows
- Cruise control
- Trip computer
- 17 inch alloy wheels (steel spare)
- Projector headlamps
- Front fog lamps
- Dual sports exhaust
- Bluetooth compatibility
- 2 priority flip keys



Calais V-Series

Projector headlamps

With a brighter, more powerful beam than traditional reflector globes, Calais V-Series' projector lamps light up the road, contributing to safer night driving.

Real metal accents

The distinctive aluminium across Calais V-Series' dashboard is genuine pressed metal.

Power front seats

The 8-way power front seats enable effortless slide and recline adjustment, plus individual height control of front and rear cushions. A push button memory, located at the base of driver's seat, stores and applies the preferred positions of up to three individuals, at a touch.

Front and rear electronic park assist

Calais V-Series' electronic park assist uses a combination of audible and visual warnings to simplify parking in tight spaces – the latter displaying both the proximity and direction of potential parking obstacles on the 6½ inch colour display in the centre console.

Rain sensing, flat blade wipers

Not only does Calais V-Series detect rain on the windscreen, it determines how heavily it's falling, and adjusts wiper speed accordingly. Because the wipers utilise flat blades, screen clearing ability is also improved over traditional wiper design.

Integrated DVD player

Calais V-Series includes a roof mounted DVD player for rear seat passengers with a fold down colour screen and headphones. When the vehicle is stationary, DVDs can also be viewed on the front centre colour screen.



A stunning new addition. A bold new benchmark. With sports 18 inch alloy wheels, optional V8 engine and almost every luxury feature conceivable, the new Calais V-Series represents sports luxury motoring at its pinnacle – refined, brutally powerful and endlessly rewarding to drive.

Standard features include:

- 3.6 litre High Output Alloytec V6 engine with 5-speed automatic transmission with Active Select
- Electronic Stability Program (ESP®) incorporating:
 - Anti-lock Braking System (ABS)
 - Electronic Brakeforce Distribution (EBD)
 - Electronic Brake Assist (EBA)
 - Traction Control System (TCS)
- Front and rear park assist
- Dual-stage front airbags for driver and front passenger
- Side impact airbags for driver and front passenger
- Side curtain airbags
- 230W 11 speaker, 6 disc, MP3 compatible CD system with auxiliary input jack
- Dual zone electronic climate control
- Sports profile leather wrap steering wheel with illuminated controls
- Sports suspension
- 18 inch alloy wheels (steel spare)
- DVD player with colour LCD screen
- Projector headlamps
- Front fog lamps
- Heated exterior mirrors with 'puddle' lamps
- Rain sensing windscreen wipers
- Dual exhaust
- Leather trim seats
- 8-way electric adjustment of front seats. Driver's seat with memory for 3 settings
- Night panel illumination
- Front and rear power windows
- Cruise control
- Trip computer
- Bluetooth compatibility
- 2 priority flip keys



Genuine Holden Accessories

Alloy wheels

Big, bold and designed to enhance road handling, the stunning selection of alloy wheel options extends from the dynamic 5 spoke 18" x 8" set up to the awesome 10 spoke 20" x 8" rim.

Below, left to right:

18" x 8" 5 spoke alloy wheels
19" x 8" 10 spoke alloy wheels
19" x 8" 5 port alloy wheels



Overhead DVD player

An integrated DVD player with fold down screen is standard on Calais V-Series and optional on Calais and Berlina. Designed for use by rear passengers, it is incorporated into the roof and comes complete with wireless headphones and a remote control.



Alloy faced pedals

Visually striking, motorsport style alloy pedals provide for sure-footed accelerator and brake control.



How do you make a luxury car even more special? The same way you make your new Berlina or Calais as individual as you are – by adding your own finishing touches from the exclusive range of Genuine Holden Accessories and head-turning vehicle enhancements. Explore all the possibilities at: holden.com.au/genuineaccessories

features

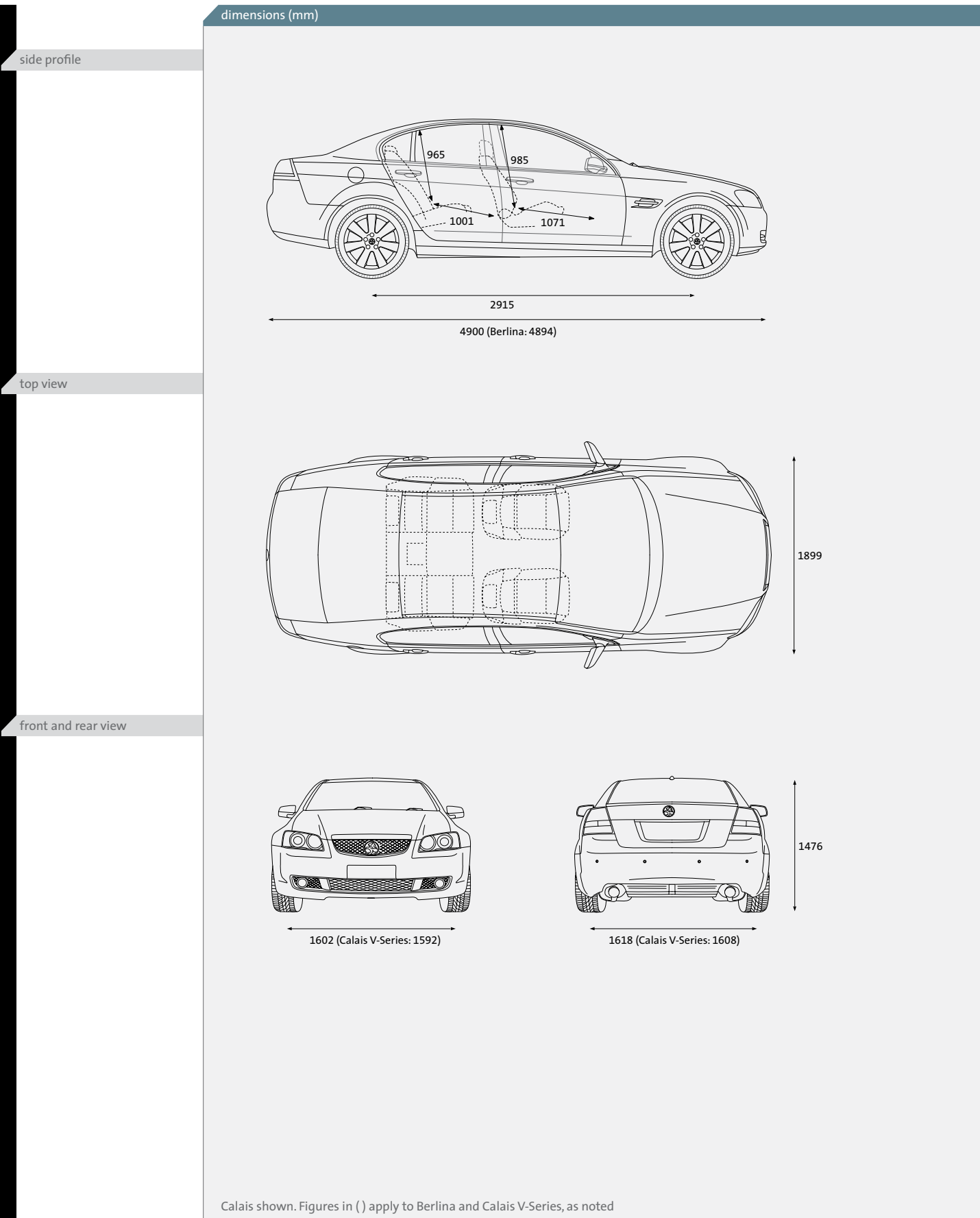
engine		exterior/interior		exterior/interior (continued)		safety/security	
	Berlina Calais Calais V-Series		Berlina Calais Calais V-Series		Berlina Calais Calais V-Series		Berlina Calais Calais V-Series
engine and transmission			wheels		driver (continued)		occupant safety
180kW, 3.6 litre Alloytec V6 engine	•	17" x 7" alloy wheels. 225/55 R17 97V tyres (4)	• •	Service reminder. Appears 1,000km before service is due	• • •	Dual-stage front airbags for driver and front passenger	• • •
195kW, 3.6 litre High Output Alloytec V6 engine	• •	18" x 8" alloy wheels. 245/45 R18 96V tyres (4)	•	Tachometer	• • •	Side impact airbags for driver and front passenger	• • •
270kW*, 6.0 litre Generation 4 Alloy V8 engine	• • •	17" x 4" steel spare wheel. T155/80 R17 111M tyre	• • •	Sound system able to accommodate mobile phone kit. Auto mute when phone is in use	• • •	Side curtain airbags (optional on Berlina with leather trim only)	• • •
4-speed automatic transmission	•	Full-size spare wheel and tyre	• • •	Bluetooth mobile phone connectivity	• • •	Front lap/sash seatbelts with load limiters and pyrotechnic pretensioners	• • •
5-speed automatic transmission with Active Select	• •			Satellite navigation (available late 2006)	• • •	Front seatbelt sash height adjustable	• • •
6-speed automatic transmission with Active Select (V8 option only)	• • •					Rear seat child restraint anchor points (3)	• • •
Limited Slip Differential (available only with sports suspension)	• • •			entertainment		Active front seat head restraints to help reduce risk of whiplash injury in a collision from behind	• •
		exterior		Rear seat overhead DVD player	• • •		
control and handling		Front fog lamps	• • •	Blaupunkt AM/FM stereo	• • •	security	
Linear Control Suspension	• • •	Projector headlamps	• •	6 disc in-dash CD player. MP3 compatible	• • •	Remote control priority key:	• • •
Sports suspension: reduced ride height. Firmer springs	• • •	Metallic paint	• • •	7 speakers. Total 80 watts	•	Operates central locking	
Electronic Stability Program (ESP®) incorporating:	• • •	Heated exterior mirrors with 'puddle' lamps and position memory	•	9 speakers. Total 150 watts	•	Operates interior lighting. Time delay on entry. Automatic illumination when engine turned off	
Anti-lock Braking System (ABS)		Dual exhaust	• •	11 speakers including sub-woofers. Total 230 watts	•	Operates exterior lamps, to show location of car at night	
Electronic Brakeforce Distribution (EBD)		Quad sports exhaust (V8 only)	• • •	Speed dependent volume control	• • •	Enables/disables alarm system	
Electronic Brake Assist (EBA)		Chrome body side mouldings	•			Unlocks boot	
Traction Control System (TCS)				seating		Disables remote boot release button in glovebox (when locking)	
		driver		Cloth seat trim	•	Horn sounds if front door is ajar when remote locking	• • •
		Steering wheel height and reach adjust	• • •	Cloth seat trim with leather bolsters	•	Sound system operates only in original vehicle.	• • •
		Leather wrap steering wheel	• •	Leather seat trim	• • •	Holden Assist telematics (available late 2006)	• • •
		Leather wrap sports profile steering wheel	•	4-way electric adjustment of driver's seat	•	Flip key	• •
		Multifunction steering wheel, featuring illuminated controls for:	• • •	6-way electric adjustment of front seats	•		
		Sound system		8-way electric adjustment of front seats (optional on Calais with leather trim only)	• •	road safety	
		Trip computer		Adjustable driver and front passenger seat lumbar support	• • •	Emergency mode after seat belt pretensioners are triggered.	• • •
		Bluetooth phone		Driver's seat position memory for up to 3 drivers	•	On-board computer turns engine and fuel pump off. Unlocks doors.	
		Satellite navigation (where fitted, available late 2006)				Turns hazard lights and interior lamp on (if battery power is available)	
		Multifunction driver display, featuring:	• • •	cabin comfort			
		Trip computer information		Dual zone electronic climate control: driver and front passenger	• • •	• standard • optional	
		Sound system information		6" multifunction display screen. Displays stereo and climate control information	•		
		Priority key. Stores settings for:	• • •	6.5" multifunction display colour LCD screen. Displays stereo and climate control information. DVD player and satellite navigation compatible (where fitted)	• •		
		Climate control		Power windows. Driver and front passenger windows express down	•		
		Sound system		Power windows. Driver and front passenger windows express up and down	• •		
		Trip computer		Electric tilt and slide sunroof	• • •		
		Speed alert		Front centre sliding armrest with leather trim	• • •		
		Headlamp and interior lighting time delay options		Rear seat centre armrest	• • •		
		Driver's seat and exterior mirror positions (Calais V-Series and Calais with leather option only)		Vanity mirror, driver and front passenger	•		
		Leather wrap gear selector	• •	Vanity mirror, driver and front passenger. Illuminated with cover	• •		
		Cruise control	• • •	Sunglasses holder (except where sunroof fitted)	• • •		
		Rear Park Assist	• •	Chrome finish interior door handles	• • •		
		Front and Rear Park Assist	•	Passenger overhead assist handles; rear with coat hooks	• • •		
		Power exterior mirrors	• • •	Two front reading lamps	• • •		
		Heated exterior mirrors with position memory	•	Door entry lamps	•		
		Passenger side exterior mirror dips when reverse gear selected	•			storage and cargo	
		Road speed dependent intermittent wipers	• • •	Twin cup holders in centre console	• • •	Centre console storage compartment	• • •
		Rain sensing wipers	•	Auxiliary power socket in centre console	• • •	Fold down rear seat centre 'ski' hatch for long loads	• • •
		Automatic headlamp mode. Switches on at twilight or low light.	• • •				
		Headlamps auto off feature (variable delay)	• • •				
		Trip computer with triple display, including:	• • •				
		Average speed					
		Odometer/tripmeter/trip time					
		Distance/time to go					
		Instantaneous/average fuel consumption					
		Digital speedometer					
		Tracks two trips simultaneously (eg. short day trip within long interstate trip)					
		Fuel used/range					
		Visual and audible speed warning					

* Figure quoted using 98 RON (PULP)

technical specifications

	180kW, 3.6 litre Alloytec V6 engine	195kW, 3.6 litre High Output Alloytec V6 engine	270kW*, 6.0 litre Generation 4 Alloy V8 engine		Berlina_Calais_Calais V-Series
Engine	3.6L 60-degree Double Overhead Cam V6 with 4 valves per cylinder. Twin knock control sensors with individual cylinder adaptive control. On-board diagnostics			Recommended petrol octane rating	91 RON ULP. Note that using 95 RON (PULP) or higher may result in improved engine performance and economy
	Continuously variable camshaft phasing for inlet cams. Variable Intake Manifold (VIM)			Petrol tank capacity (L)	73
	High energy distributorless ignition. Solid state, voltage-driven Direct Fire ignition, coil-on-plug with on-board igniter			Brakes	Four wheel disc. Ventilated discs – front and rear. Twin piston alloy front caliper, single piston alloy rear caliper
Capacity (cc)	3564	3564	5967	Electronic Stability Program (ESP®)	Incorporating: Anti-lock Braking System (ABS), Electronic Brakeforce Distribution (EBD), Electronic Brake Assist (EBA), Traction Control System (TCS)
Compression ratio (:1)	10.2	10.2	10.4	Suspension	Front: MacPherson strut. Direct acting stabiliser bar. Progressive rate coil springs. Rear: Multi-Link Independent Rear Suspension (IRS). Progressive rate coil springs. Stabiliser bar
Power (ECE, kW)*	180kW @ 6000rpm	195kW @ 6500rpm	270kW* @ 5700rpm	Sports suspension	Firmer spring rate. Reduced ride height
Torque (ECE, Nm)#	330Nm @ 2600rpm	340Nm @ 2600rpm	530Nm* @ 4400rpm	Steering	Variable ratio rack and pinion
Exhaust system – stainless steel	Single exhaust	Dual exhaust	High performance quad-outlet exhaust	Track (mm)	
Gear ratios	4sp Auto	5sp Auto	6sp Auto	Calais and Berlina	Front: 1602 Rear: 1618
1st	3.06	3.42	4.03	Calais V-Series	Front: 1592 Rear: 1608
2nd	1.63	2.21	2.36	Turn circle (kerb to kerb, m)	11.4
3rd	1	1.60	1.53	Wheelbase (mm)	2915
4th	0.70	1.00	1.15	Exterior design dimensions (mm)	Length Width (excluding mirrors) Height Ground clearance
5th	–	0.75	0.85	Berlina	4894 1899 1476 110
6th	–	–	0.67	Calais and Calais V-Series	4900 1899 1476 106
Final drive ratio	3.27	2.92	2.92	Interior design dimensions (mm)	Leg Shoulder Head Hip
	*Maximum figures as per ECE regulations			Front	1071 1501 985 1439
				Rear	1001 1450 965 1472
				Cargo volume (L)	496
				Towing (kg)	Maximum towing with automatic transmission: 2100. Holden approved 1200, 1600 and 2100 towing equipment is available. See your Holden Dealer for details.
				Service	The first inspection is due at 3,000km or 3 months (whichever occurs first). The first service is due at 15,000km or 12 months (whichever occurs first). Thereafter, at every 15,000km or 12 months since the last service (whichever occurs first). Additional services are required under certain driving conditions, such as when towing (refer to owner's handbook). Maintenance-free long life, accessory drive belt with automatic tensioner. Dual belt on V8. Holden Dealer 'Tech 2' computerised analysis available for engine management system.
					*Figure quoted using 98 RON (PULP)

vehicle dimensions

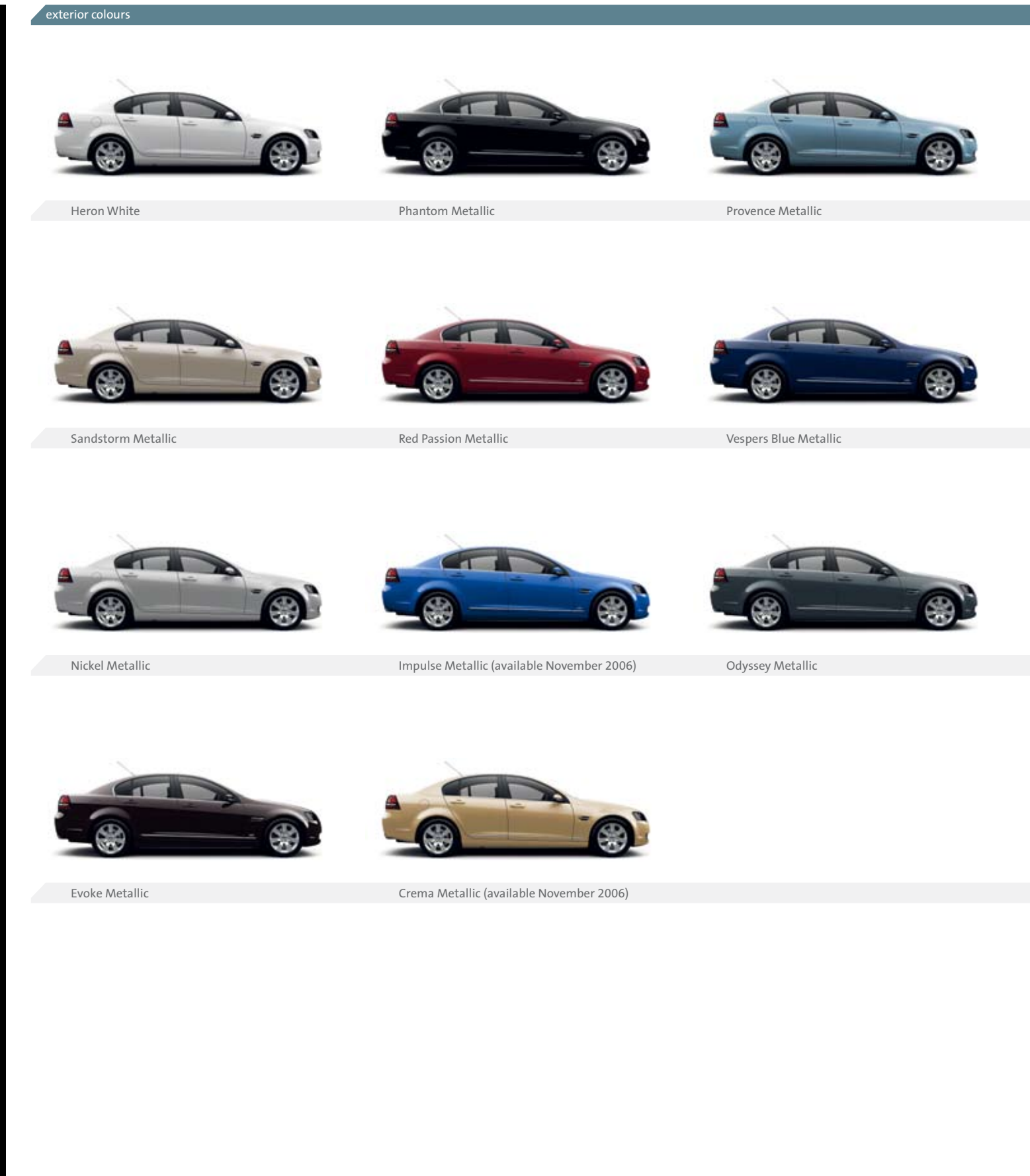


trims and colours

model	exterior colours											interior trim
	Heron White	Phantom	Provence	Sandstorm	Red Passion	Vespers Blue	Nickel	Impulse	Odyssey	Evoke	Crema	
Berlina	•	•	•	•	•	•	•	•	•	•	•	Metro cloth
Calais	•	•	•	•	•	•	•	•	•	•	•	Metro leather
Calais V-Series	•	•	•	•	•	•	•	•	•	•	•	Metro cloth with metro leather bolsters
	•	•	•	•	•	•	•	•	•	•	•	Onyx leather
	•	•	•	•	•	•	•	•	•	•	•	Onyx leather
	•	•	•	•	•	•	•	•	•	•	•	Light Urban leather

cloth trim		leather trims	
Metro	Metro	Onyx	Light Urban

Metro leather trim is optional at an additional cost on Berlina.
 Onyx leather trim is optional at an additional cost on Calais.
 Side curtain airbags available with leather trim only.
 Variations between colours shown and actual paint colours/interior trim colours may occur due to the printing process.
 Actual vehicle colours may appear different under certain light conditions.
 Metallic paint is available at an additional cost.
 Trim patterns are not to scale. Indicative only.



easy purchase options

Finance

SmartChoices, provided by GMAC Financial Services, is an array of automotive finance products designed to help the dream of driving a new Holden become a reality. Just select the product, term and payment structure that best suits your lifestyle and your Holden Dealer can provide more information.

Insurance

Holden Insurance offers a range of competitively priced insurance products, providing tailor-made protection, at whatever level of cover you need. For more information, call the Holden Insurance hotline on 1300 784 026.

Holden Leasing

Businesses of all sizes are now accessing vehicle leasing options with Holden Leasing. We operate nationally through the Holden Dealer Network and our dedicated service and support team. Our people are responsive professionals who understand your business and what it means to deliver total fleet management solutions. To find out how Holden Leasing can help you, call us on (03) 9693 0400.

Holden MasterCard

Holden MasterCard can assist you to get into a new Holden sooner. 10% of credit purchases on this card goes towards a Rebate of up to \$3,000 on your new Holden¹. That's a \$1 saving towards a new Holden for every \$10 spent. There are a range of extra features including up to 45 days interest free² on credit purchases and a competitive interest rate. Apply³ online at www.holden.com.au/mastercard or call Holden MasterCard's 24 hour help line 131 200.

ownership benefits

Holden Service

With over 300 Holden Dealers, Holden can supply an enviable level of customer care. Our Service Network is one of the largest in the country. Only Holden Dealership technicians have access to regular Holden factory training and equipment.

Holden New Vehicle Warranty

Every new Holden comes with a New Vehicle Warranty, covering your Holden for 3 years or 100,000 kilometres, whichever comes first. This factory backed warranty covers items including the engine, transmission, interior and exterior components. Refer to your owner's handbook or see your Holden Dealer for full terms, conditions and exclusions.

Holden PLUS Extended Factory Warranty

Holden also offers Holden PLUS Extended Factory Warranty. Holden PLUS is a complete extension of your New Vehicle Warranty, giving you peace of mind because your car is factory backed for up to 3 additional years. The very same items covered under the New Vehicle Warranty will continue to be covered under Holden PLUS, without exclusion. Simply select a 1, 2 or 3 year Holden PLUS Extended Factory Warranty at the time you purchase your new Holden. See your Holden Dealer or call 1300 308 062 for full terms and conditions.

24 Hour Roadside Assistance

Provided for the first 3 years of your new Holden's life⁴. Holden Roadside Assistance is one of Australia's most comprehensive assistance packages with over 3000 Roadside Assistance patrols nationwide⁵. There to help with even the smallest service, the toll-free Roadside Assistance hotline is always open, 1800 817 100.

Holden Ultra Roadside Assistance

Available as an optional upgrade, Ultra Roadside Assistance provides additional benefits, over and above those supplied by our standard Roadside Assistance program. In certain circumstances it covers accommodation, alternative transport, rental car, accident assistance, Australia-wide vehicle recovery and more⁶. For more information call 1800 645 668.

For more information contact
Holden Customer Assistance on 1800 033 349 Monday to Friday
8am to 7pm or Saturday 9am to 1pm EST or visit
www.holden.com.au

¹ A total of \$3000 in the form of Holden Card 'Core Rebate' (plus additional 'Bonus Rebate' accumulated via the Partner Program) accrued over a maximum of five years may be applied per eligible vehicle purchased. Vehicle sales for which a fleet allowance is paid are not eligible for Holden MasterCard Rebate. Earning and redemption of Rebate towards a new Holden is subject to the Holden Card Rebate Program Rules. ² The interest-free period applies where the card account is fully paid by the due date each month. ³ Applications are subject to Westpac's normal lending criteria. ⁴ From date of first registration. ⁵ In remote or sparsely populated areas you may experience delay in obtaining Roadside Assistance. Refer to the Roadside Assistance brochure in your glovebox for full terms and conditions of this service. ⁶ See the Roadside Assistance brochure in your glovebox for full terms and conditions of this service.

A word about this catalogue. We have tried to make this catalogue as comprehensive and factual as possible. However, since the time of printing some of the information you'll find here may have been updated. Also, some of the equipment shown or described through this catalogue may have been changed and / or is available at extra cost. Further, GM Holden Ltd. reserves the right to make changes at any time without notice, in prices, colours, materials, equipment and models. Your Holden Dealer has details, and before ordering, you should ask them to bring you up to date. No Holden Dealer or other person is authorised or permitted to give or make any statement, assertion or undertaking in relation to the quality, performance characteristics, descriptions or fitness for any purpose of any Holden product which is at variance with any written statement, assertion or undertaking on any of these subjects given or made by GM Holden Ltd ABN 84 006 893 232 in its published sales literature, and GM Holden Ltd does not accept any liability for any such unauthorised action. GM Holden Ltd has authorised dealers in many parts of Australia for the sale of service parts and the provision of service to owners of Holden's products. Every endeavour is made to ensure that such dealers carry adequate stocks of service parts, but GM Holden Ltd doesn't make any promise other than that contained in the New Vehicle Warranty given by GM Holden Ltd that such parts or service facilities will be available at any specific location or at any particular time. Express warranties offered for Holden products are subject to the conditions set out in all vehicle handbooks. Details also available from GM Holden Ltd on request. Copyright GM Holden Ltd. July 2006. emerystudio CABEVE0106 AD12065