

Hyundai iLoad van



Drive your way

Your way is our way.

Whatever your dreams. Wherever you're going. Whoever you want to be. The discoveries, the adventures, the challenges await. It's your journey and we'll take you there.

Hyundai. Drive your way.

It's your turn behind the wheel. Live your life and shape your own future. Our promise is to deliver first-class value through innovative technology, advanced safety features and a determination to build the highest quality vehicles possible. Our guarantee to you is your satisfaction with vehicles that perfectly fit your needs and lifestyle. An extensive dealer network and full warranty support means your confidence in your Hyundai need never be compromised.



Hyundai iLoad van shown in Ceramic White

AUSTRALIA'S GUIDE TO UTES, VANS, LIGHT TRUCKS & PEOPLE MOVERS
DELIVERY

**BEST MEDIUM VAN OF
THE YEAR 2008**

AUSTRALIA'S GUIDE TO UTES, VANS, LIGHT TRUCKS & PEOPLE MOVERS
DELIVERY

**BEST VAN OF THE YEAR
2009**

 **ANCAP**
Rated ★ ★ ★ ★

All-new Hyundai iLoad van and crew van are the latest additions to the Hyundai range. Together, these impressive mobile workplaces set a new benchmark in commercial flexibility, passenger & cargo functionality, performance and reliability. New Hyundai iLoad... a special delivery from Hyundai.

Hyundai iLoad van

A tough new contender

With a choice of the 3-seater van or 6-seater crew van with cargo compartment, Hyundai has created a highly-functional commercial vehicle that's as versatile and accommodating as it is robust and reliable.

The new Hyundai iLoad combines effortless practicality and precision engineering with advanced safety technology and enviable fuel economy in a mobile workplace that won't let you down. You can also select from a range of Genuine Hyundai Accessories to customise your Hyundai iLoad.

Load up your business... with new Hyundai iLoad



⁰¹ Versatility

⁰² Space

⁰⁴ Safety

⁰⁶ Comfort

⁰⁸ Power

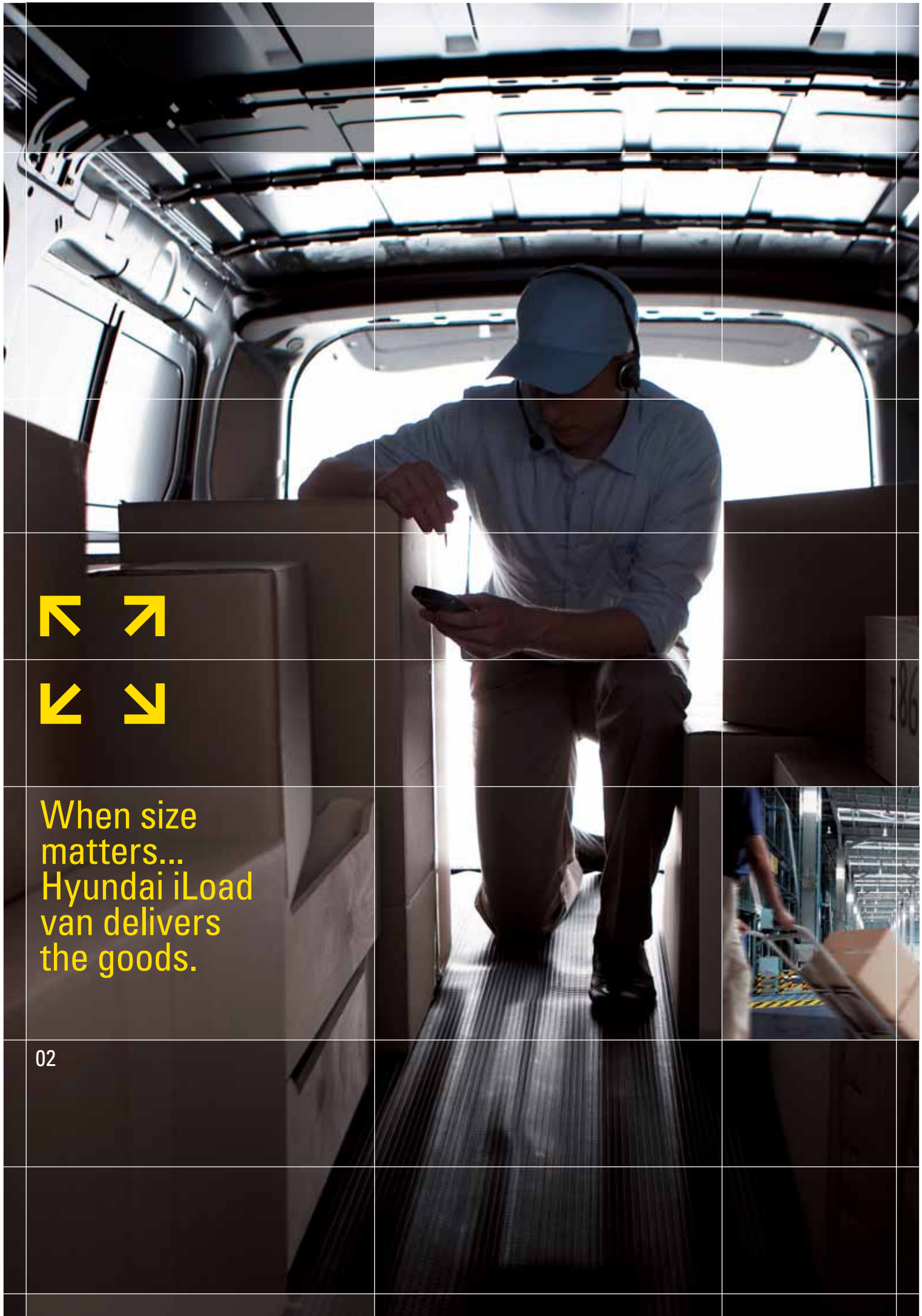
¹⁰ Accessories
& Features

¹² Colours
& Finish

¹³ Specifications



When size matters...
Hyundai iLoad van delivers the goods.

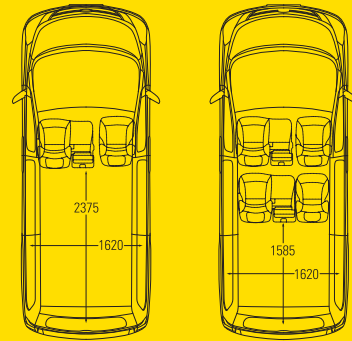


Room to Move

For operators requiring maximum carrying capacity, the 3 seater Hyundai iLoad van boasts plenty of usable cargo space (2.37m long, 1.68m wide and 1.35m high) large enough for two pallets, with a practical vinyl-covered flat floor.

Van functionality includes two sliding side doors as standard plus rear lift gate or optional twin swing doors for easy access, along with a collapsible centre seat that converts to additional storage when not needed for a third passenger.

For those wanting even more passenger space, Hyundai iLoad crew van provides seating for up to six people whilst retaining a generous cargo compartment with plenty of room for a pallet or delivery items.



van

crew van

Space



Big on Safety

From the robust chassis and superior braking to the dual airbag system and seatbelt pretensioners, Hyundai iLoad's active and passive safety features further demonstrate Hyundai's commitment to driver, passenger and cargo protection at all times.

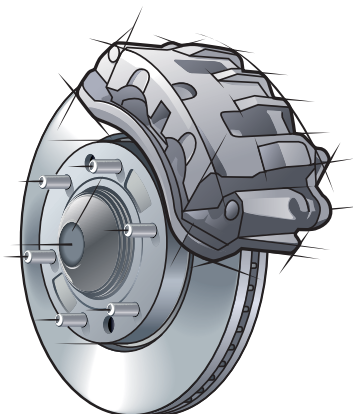


- 4 Star ANCAP safety rating
- 4-channel Anti-Skid Braking System (ABS) with Electronic Brakeforce Distribution (EBD) and 4 disc brakes (ventilated)
- Optional Bosch Electronic Stability Program (ESP) and Traction Control System (TCS) with CRDi models
- Dual front airbags and height-adjustable front seatbelts with pretensioner
- Keyless entry + immobiliser + security alarm + central locking
- Semi-bonnet design
- Floor to ceiling cargo intrusion barrier
- Four-ring strengthened body with rigid cabin
- Impact absorbing crush zones front and rear

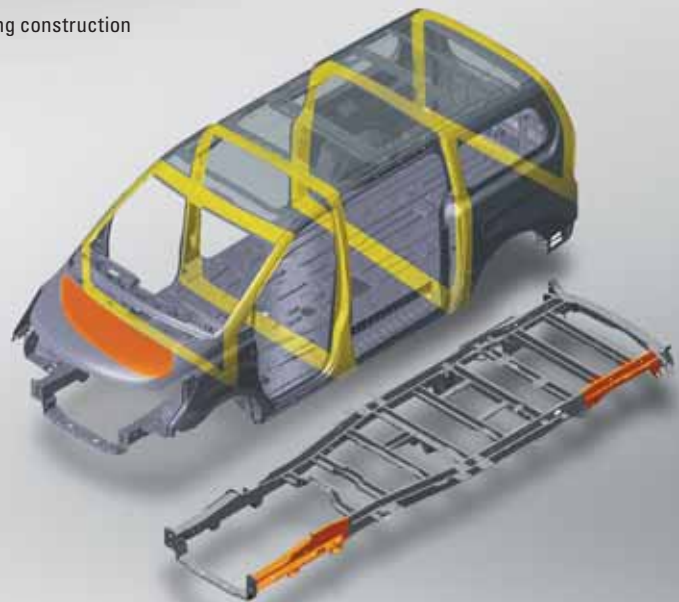
Protecting lives and your livelihood

Disc brakes (ventilated)

04



4 ring construction





Dual airbags



Shown with optional twin swing doors – 180° access

Cabin Comfort

Complementing the Hyundai iLoad's car-like steering and handling is a spacious, ergonomic and comfortable cabin where all controls are within easy reach. Driver and passenger comforts include air conditioning, power steering, power windows and mirrors, a quality audio system with iPod® and MP3 player connectivity, cup holder and tachometer.

The tilt steering column and front console-mounted gearshift further emphasise the modern, functional layout and provide easier movement between driver and front passengers, and the high seating position, oversized windscreen and large door mirrors deliver optimum visibility. For cabin security, the van is equipped with keyless entry and an alarm with central locking. The driver's seat is height adjustable, the steering wheel can be tilted and there are even easy to reach grab handles to make entering and exiting a breeze.



06







Power

08

2.5 CRDi Diesel

- Power = 125kW
- Torque = 392Nm
- Fuel = 8.5 litres* (manual) per 100km
9.6 litres* (auto) per 100km
- Variable Geometry Turbo (VGT) for immediate throttle response and economy, and Common Rail Direct injection (CRDi) Diesel fuel delivery system

Towing Capacity:

Diesel manual – 2000kg (braked)
– 750kg (unbraked)

Diesel auto – 1500kg (braked)
– 750kg (unbraked)

2.4 CVVT petrol

- Power = 129kW
- Torque = 228Nm
- Fuel = 10.1 litres* (manual) per 100km
- Continuously Variable Valve Timing (CVVT) synchronises power with economy

Towing Capacity:

Petrol manual – 1500kg (braked)
– 750kg (unbraked)

*Australian Design Rule 81/02 static laboratory combined average city & highway cycle test. Fuel consumption will vary depending on a combination of driving habits and the condition of the vehicle.

Packaged to Perform

Engineered to handle the heaviest of loads, the Hyundai iLoad van also comes with a locking differential option to tackle the most arduous of conditions with ease.

Macpherson strut front suspension and leaf spring rear suspension is positioned for optimal load-bearing, the 4-channel Anti-Skid Braking System (ABS) acts on ventilated front and rear discs with a 10" booster for exceptional stopping power; and the optional Bosch Electronic Stability Program (ESP)* with Traction Control System (TCS)* work together to monitor engine response and help control wheel slippage in hazardous braking circumstances.

The 2.4 petrol or high output 2.5 Diesel engines deliver outstanding power and torque, while advanced technology ensures enviable economy and dependability. A gutsy 5-speed manual transmission is applied as standard, with a 5-speed electronic automatic transmission also available in the Diesel model.



2.5 CRDi turbo Diesel

2.4 CVVT petrol

*Diesel model only

Genuine Hyundai iLoad Accessories



Cargo Barrier (60kg rating)



Tailored Rubber Floor Mats



Rubber Cargo Mat



Sliding Door Windows



Bluetooth® Phone Kit¹



Stylevisors (front pair only)



Towbar, Towball & Trailer Wiring Harness²



Rear Step with Corner Protectors⁵



Reverse Park Assist (4 head)⁴



Courier's Wooden Floor



Technician Step (Towbar compatible)⁵



Full Technician Kit^{3,6}

5 Year Genuine Hyundai Accessory Warranty

Genuine Hyundai Accessories for all Hyundai iLoad vans, Hyundai iLoad crew vans and Hyundai iMax shuttles are covered by Australia's First 5-year/Unlimited Kilometre Accessories Warranty.

All Genuine Hyundai Accessories for the Hyundai iLoad and Hyundai iMax vehicles purchased and fitted to a Hyundai iLoad or Hyundai iMax by a Hyundai dealer or authorised service outlet are covered by Australia's First 5-year/Unlimited Kilometre Accessories Warranty from the date of purchase against manufacturing faults and defects in the products.

All Accessories are subject to availability and warranty conditions, please refer to our website at www.hyundai.com.au for full warranty terms and conditions.



Hyundai iLoad 3 seat 2.4 litre petrol is accessorised with: Full Technician Kit, Roof Rack (3 bar set), Headlight Protectors and Weathershields. All sold separately at additional cost.

- 1 Only suitable for Bluetooth® compatible phones. The Bluetooth® word mark and logos are owned by the Bluetooth SIG, Inc. and used by Hyundai under licence.
- 2 Maximum ball download 150kg. Towbar (1500kg braked & 750kg unbraked – petrol and CRDi automatic) or (2000kg braked & 750kg unbraked – or with CRDi manual). Towbar capacity subject to regulatory requirements, Towbar design, vehicle design and towing equipment limitations.
- 3 Includes Ladder Holders, Conduit Holder, Key Locking Security Cables & Worklight Mount
- 4 Park Assist Sensors are designed as driver assist function only and should not be used as a substitute for skilled driving and safe parking practices. The area into which the vehicle is heading must be visually monitored by the driver while parking.
- 5 Towbar Required.
- 6 Roof Racks (3 Bar Set) Required.

Hyundai iLoad Features



Bosch ESP + TCS option



Ventilated disc brakes with ABS and EBD



Dual airbags



Seatbelt pretensioners and height adjustable seatbelts



Keyless entry with burglar alarm



6 Seat crew van



Tilt steering column
Steering wheel audio controls



Rear glass demister & rear wiper



Power windows and mirrors



4 Speaker MP3 audio system



Audio auxiliary input jack with iPod® and MP3 player connectivity



Cup and bottle holders



Air conditioning



Dual glovebox compartments



Twin front door pockets



Tachometer



Rear wheel drive



Tie down hooks



2.4L petrol (manual)



2.5L CRDi turbo diesel (manual & auto)



Two sliding doors for easy access



Optional twin swing doors



Vinyl cargo area floor covering



Height adjustable seats

Hyundai iLoad Colours & Finish

					Super Red*
					Blue Diamond
					Dynamic Yellow*
					Blue Sapphire*
					Ceramic White
					Space Black



Hyundai iLoad van shown in
Ceramic White

12					Grey Titanium
					Sleek Silver
					*special order



iLoad

● = Standard ○ = Optional

Engine	2.4 Petrol	2.5 CRDi
Configuration	Longitudinal front-mounted driving rear wheels	Longitudinal front-mounted driving rear wheels
Cylinder capacity	2.4 litres (2395cc)	2.5 litres (2497cc)
Number of cylinders	4-in-line	4-in-line
Valve system	DOHC (4 Valve/Cyl)	DOHC (4 Valve/Cyl)
Maximum power	129 kW @ 6000 RPM	125 kW @ 3800 RPM
Maximum torque	228 Nm @ 4200 RPM	392 Nm @ 2000-2500 RPM
Fuel System	Sequential multi-point fuel injection	Common Rail Direct Injection (CRDi) turbocharged with Variable Geometry Turbo (VGT)
Bore x stroke	88.0 mm x 97.0 mm	91.0 mm x 96.0 mm
Compression ratio	10.5:1	17.6:1
Transmission	2.4 Petrol	2.5 CRDi
Manual	5 speed manual transmission	5 speed manual transmission
Automatic	5 speed automatic transmission	5 speed automatic electronic transmission
Gear ratio	Manual	Manual
1st	4.271	4.393
2nd	2.283	2.306
3rd	1.414	1.356
4th	1.000	1.000
5th	0.814	0.763
Reverse	3.814	4.632
Final	4.222	3.615
Steering	2.4 Petrol	2.5 CRDi
Type	Hydraulic Power Assisted, Rack and Pinion	Hydraulic Power Assisted, Rack and Pinion
Column	Energy absorbing dual collapsible steering column with tilt adjustment	Energy absorbing dual collapsible steering column with tilt adjustment
Minimum turning circle diameter between kerbs	11.22 m	11.22 m
Number of steering wheel turns lock to lock	3.57	3.57
Brakes	2.4 Petrol	2.5 CRDi
General	Hydraulic, power assisted braking system	Hydraulic, power assisted braking system
Front	300 mm ventilated disc, 2 spot-calliper with pad wear warning device	300 mm ventilated disc, 2 spot-calliper with pad wear warning device
Rear	324 mm ventilated disc, 1 spot-calliper with pad wear warning device and drum in-hat parking brake system	324 mm ventilated disc, 1 spot-calliper with pad wear warning device and drum in-hat parking brake system
ABS	Standard 4-channel, 4 sensor, Antiskid Braking System (ABS) and Electronic Brakeforce Distribution (EBD)	Standard 4-channel, 4 sensor, Antiskid Braking System (ABS) and Electronic Brakeforce Distribution (EBD)
Dimensions	2.4 Petrol	2.5 CRDi
Exterior	van	van
Length	5125 mm	5125 mm
Width	1920 mm	1920 mm
Height	1935 mm	1935 mm
Wheelbase	3200 mm	3200 mm
Wheel track - front/rear	1685/1660 mm	1685/1660 mm
Minimum ground clearance (based on kerb weight)	190 mm	190 mm
Interior	van	van
Cargo Length	2375 mm	2375 mm
Cargo Width	1620 mm	1620 mm
Cargo Height	1350 mm	1350 mm
Distance between wheel arches	1260 mm	1260 mm
Weight	2.4 Petrol	2.5 CRDi
Kerb/GVM	van	van
Manual	1943/2950 kg	2084/3160 kg
Automatic	2015/3030 kg	2099/3160 kg
GVM	van	van
Manual	4450 kg	5160 kg
Automatic	4530 kg	4730 kg
Payload	van	van
Manual	1007 kg	1076 kg
Automatic	1015 kg	1061 kg
Load Capacity	2.4 Petrol	2.5 CRDi
Braked	1500 kg	2000 kg (manual) 1500 kg (auto)
Unbraked	750 kg	750 kg (manual) 750 kg (auto)
Maximum towball mass	150 kg	150 kg
Maximum roof load 2/3 rack system	100/125 kg	100/125 kg
Fuel Consumption Figures AD881 /02*	2.4 Petrol	2.5 CRDi
Auto	Manual	Auto
Combined (L / 100 km)	10.1	8.5
Urban	13	10.9
Extra	8.3	7.1
CO (g / km)	238	225

Suspension	2.4 Petrol	2.5 CRDi
Front	Macpherson struts with coil springs and gas-filled shock absorbers	Macpherson struts with coil springs and gas-filled shock absorbers
Rear	Leaf springs with gas-filled shock absorbers	Leaf springs with gas-filled shock absorbers
Wheels & Tyres	2.4 Petrol	2.5 CRDi
16" x 6.5J steel wheels	●	●
215/70 R16 tyres	●	●
Full size spare wheel	van	crew van
Seat Configuration	van	crew van
3 seater	●	●
6 seater	●	●
Active Safety	van	crew van
4-channel, 4 sensor, Antiskid Braking System (ABS) and Electronic Brakeforce Distribution (EBD)	●	●
Electronic Stability Program (ESP) with Traction Control System (TCS) (Available on Diesel only)	○	○
Warning chimes (seatbelts, door ajar)	●	●
Warning lights (seatbelt, door ajar, check engine)	●	●
Passive Safety	van	crew van
Driver and front passenger SRS airbags	●	●
Body	van	crew van
Auto unlock on impact	●	●
Child safety door locks on sliding doors	●	●
Four ring strengthened body with rigid cabin and crush zones front and rear	●	●
High-mounted stop light on rear tail gate	●	●
Impact absorbing bumpers	●	●
Partition panel with window and cargo intrusion bar	●	●
Semi-bonneted	●	●
Seatbelts	van	crew van
3 point retractable seat belts with lap seat belts for centre passengers	●	●
Pre-tensioners, load limiters and height adjustable seat belts (excludes centre seat)	●	●
Seating	van	crew van
Head restraints with vertical adjustment (excludes front centre seat)	●	●
2 child seat anchorage points - Outboard positions only in rear seat	●	●
Security	van	crew van
Central locking	●	●
Engine immobiliser	●	●
Keyless entry with burglar alarm	●	●
Sound System	van	crew van
4 speakers including front tweeters	●	●
Auxiliary input jack (to connect external audio source)	●	●
MP3/WMA/CD player, AM/FM tuner	●	●
Roof-mounted aerial	●	●
Steering wheel audio controls	●	●
Occupant Comfort	van	crew van
5 speed intermittent, 3 stage wipe modes on front wipers with 3-way washer nozzle	●	●
Battery saving automatic headlights off when ignition key removed	●	●
Cigarette lighter and ash tray	●	●
Day/night rear view mirror	●	●
Digital clock	●	●
Dual sliding doors	●	●
Dual tone horn	●	●
Electrically adjusted external mirrors	●	●
Fixed bench seat for rear passengers	●	●
Fold down centre armrest for front passengers (when centre seat not in use)	●	●
Height adjusting driver's seat cushion	●	●
Occupant assist grab handles for front passengers	●	●
Occupant assist grab handles for rear passengers	●	●
Occupant assist grip handle for front passenger	●	●
Pop-out latch type windows for rear passengers	●	●
Power windows for front passengers with driver one touch auto down function	●	●
Rear heated glass with timer	●	●
Rear wiper - Lift-up tail gate only	●	●
Tachometer	●	●
Trip odometer	●	●
Exterior Styling	van	crew van
Black exterior door handles	●	●
Black bumpers	●	●
Satin alloy effect radiator grille	●	●

Interior Styling	van	crew van
Aluminium effect on gear knob	●	●
Two tone interior	●	●
Woven cloth seats and front door trims	●	●
Interior Lighting	van	crew van
Delayed fade-out front interior light	●	●
Door courtesy lamp on driver and passenger doors	●	●
Door courtesy lamp on sliding doors	●	●
Door courtesy reflector on rear of sliding doors	●	●
Green illuminated instrument cluster, dash audio and A/C controls	●	●
Illuminated cigarette lighter surround and ash tray	●	●
Illuminated ignition keyhole surround	●	●
Interior light in centre	●	●
Luggage lamp in cargo area	●	●
Interior Ventilation	van	crew van
Air conditioning with pollen filter	●	●
Rotary-type air conditioning controls	●	●
Storage Solutions	van	crew van
2 coat hooks	●	●
6 tie down hooks in cargo area	●	●
10 tie down hooks in cargo area	●	●
Door pockets with bottle bulges in sliding door trims	●	●
Dual door pockets in front door trims	●	●
Dual glove box compartments	●	●
Retractable twin width-adjustable cup holders in centre dash fascia	●	●
Rubber-lined storage compartment on top of dashboard	●	●
Storage compartment and integrated cup holders on back of fold down front centre seat	●	●
Ticket holder in driver's sun visor	●	●
Twin swing tail gate	●	●
Vinyl floor covering in cargo area	●	●
Accessories	van	crew van
Bluetooth™ Car Kit ¹	○	○
Technology	van	crew van
Bluerooth™ Car Kit ¹	○	○
Interior	van	crew van
Cargo Barrier (60 kg rating) ¹	○	○
Air Conditioning Curtain ¹	○	○
Rubber Floor Mats (front only) ¹	○	○
Carpet Floor Mats (front and second row)	○	○
Rubber Cargo Mat	○	○
Dash Mat	○	○
Couriers Wooden Floor	○	○
Exterior	van	crew van
Headlight Protectors	○	○
Styevisors (front pair only)	○	○
Towbar ²	○	○
Rear Step with Corner Protector ⁵	○	○
Technician Step ³	○	○
Towball - 50 mm chrome	○	○
Trailer Wiring Harness	○	○
7 Pin Large Round Adapter	○	○
7 Pin Small Round Adapter	○	○
Grab Handles ⁴	○	○
Electrical	van	crew van
Portable Cooler - 12v 15l	○	○
Roof Racks and Attachments	van	crew van
Roof Rack (2 bar set) (100 kg evenly distributed across 2 bars)	○	○
Roof Rack (8 bar set) (125 kg evenly distributed across 3 bars)	○	○
Full Technician Kit ⁶	○	○
Ladder Holder	○	○
Conduit Holder	○	○
Key Locking Security Cables	○	○
Worklight Mount	○	○
Safety	van	crew van
First Aid Kit - Personal (4 pockets)	○	○
Front Park Assist (4 head) ⁴	○	○
Reverse Park Assist (4 head) ⁴	○	○

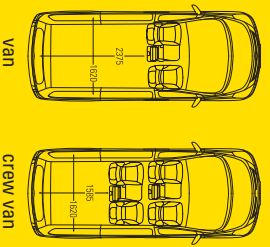
^{1,7} Accessories as per accessories page 110.

* Source: AD881 /02. Fuel consumption will vary depending on a combination of driving habits and the condition of the vehicle.

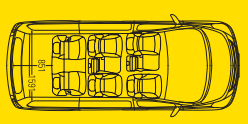


Hyundai iLoad van

Hyundai iLoad crew van



Hyundai iMax shuttle





Genuine Hyundai Parts

Not all parts are equal, insist on Genuine Hyundai Parts.

The quality and reliability of Hyundai products are key factors in your purchasing decision. Through careful design and engineering, Hyundai automobiles are built to provide you with years of worry free driving enjoyment with minimum maintenance.

For your peace of mind remember that Hyundai Genuine Parts are backed by a 12 month, 20,000 km warranty in order to provide high-quality service and maintenance.



Hyundai iLoad Confidence

Hyundai builds each and every vehicle using state-of-the-art technology to meet the world's highest quality standards. This is evidenced by the fact that the company now delivers Australia's first 5 year / 160,000km warranty on all new Hyundai iLoad commercial vehicles. It is only because of our belief in the research and development behind every vehicle's design, the exceptional quality of materials and workmanship used in manufacturing, pre-delivery testing and an outstanding dealer network that Hyundai can back its product without any qualms, offering you complete confidence and peace of mind. There's also the additional support of 12 months roadside assistance in case of vehicle immobility such as running out of fuel.

AUSTRALIA'S FIRST



Hyundai iMax Confidence

Hyundai builds each and every vehicle using state-of-the-art technology to meet the world's highest quality standards. This is evidenced by the fact that the company now offers Australia's First 5 Year Unlimited Kilometre Factory Warranty* on all new Hyundai iMax vehicles as a standard promise of excellence. It is only because of our belief in the research and development behind every vehicle's design, the exceptional quality of materials and workmanship used in manufacturing, pre-delivery testing and an outstanding dealer network that Hyundai can back its product without any qualms, offering you complete confidence and peace of mind. There's also the additional support of 12 months roadside assistance in case of vehicle immobility such as running out of fuel.

*Note: The warranty extension to Unlimited Kilometres is only applicable to vehicles used for private and domestic uses and is not applicable to vehicles used for certain high mileage commercial purposes, i.e. Courier, Security and Rental Cars.

The Right Balance for your Business

If you're serious about:

- Selecting the right vehicle for your business
- Reducing your fleet's environmental impact
- Reducing your fleet's whole of life costs
- Providing a safer environment for your greatest assets, your employees

Make the right business decisions not the same decisions you've always made – consider the Hyundai Fleet Advantage!



HYUNDAI
Drive your way™

Hyundai Motor Company Australia Pty Ltd 8 Baywater Drive, Homebush Bay NSW 2127 T. 02 9763 3333 F. 02 9763 3433 Hyundai Motor Company (HMC) and the Hyundai Motor Company Australia (HMCA) each reserve the right to alter vehicle specifications and equipment levels without notice. Some equipment featured on the cars in this brochure may not be available in Australia or may be optional. To the extent permitted by the law, neither HMC nor HMCA shall be liable to any person as a result of reliance on the content of this brochure. Please consult your Hyundai dealer for the latest specifications, equipment levels, options, prices, colours and vehicle availability. Metallic and mica paint are optional extras. **Note:** Information in this brochure is current as at 20/01/2010. **Part No. IML0110B.**