



XK

DATE 02/05

303-63

SERVICE

TECHNICAL BULLETIN

Fuel Smell Or DTC P0455 Stored –
EVAP System –
Repair ProcedureMODEL 1999-2002 MY
XK Range
VIN 031303-A30644**Issue:**

Some 1999-2002 MY XK vehicles, within the above VIN range, may exhibit a condition of a fuel smell coming from the evaporative system or Diagnostic Trouble Code (DTC) P0455 stored in the Engine Control Module (ECM). This condition can be caused by the purge valve corroding and sticking closed.

Action:

In case of a verified customer complaint of a fuel smell coming from the evaporative emissions system or DTC P0455 stored, carry out a purge system check using Worldwide Diagnostic System (WDS). If the system fails the check, install a new modified Evaporative Emissions (EVAP) Canister Purge Valve, filter and hose on the vehicle. Follow the workshop procedure outlined below.

Note: DTCs related to the fuel system or evaporative system will cause the purge system to be disabled and cause a fuel smell from the evaporative system. Ensure all DTCs are erased before checking for a sticking purge valve.

Note: Before carrying out any repairs, check Technical Bulletin 310-09 for additional information, and refer to Technical Bulletin 303-61 for convertible vehicles, to be carried out as a separate Warranty Claim.

WORKSHOP PROCEDURE

1. Position WDS alongside vehicle, switch Portable Test Unit (PTU) 'ON' and allow software to load.

Note: Ensure WDS is loaded with software release JTP 759/36 or later.

2. Connect PTU to vehicle using diagnostic cable.
3. Enter VIN and allow the software to load to 'Content Model' screen.
4. Highlight 'Engine System' and select 'DTC Monitor' tab at top of the screen.

NOTE: THE INFORMATION IN TECHNICAL BULLETINS IS INTENDED FOR USE BY TRAINED, PROFESSIONAL TECHNICIANS WITH THE KNOWLEDGE, TOOLS, AND EQUIPMENT TO DO THE JOB PROPERLY AND SAFELY. IT INFORMS THESE TECHNICIANS OF CONDITIONS THAT MAY OCCUR ON SOME VEHICLES, OR PROVIDES INFORMATION THAT COULD ASSIST IN PROPER VEHICLE SERVICE. THE PROCEDURES SHOULD NOT BE PERFORMED BY "DO-IT-YOURSELFERS." DO NOT ASSUME THAT A CONDITION DESCRIBED AFFECTS YOUR CAR. CONTACT A JAGUAR DEALER TO DETERMINE WHETHER THE BULLETIN APPLIES TO YOUR VEHICLE.

5. Allow software to load, then select the 'Read DTC' icon on the right-hand side of screen.

Note: If DTC P0455 is stored in the ECM, carry on from step 6, for any other DTCs, carry out the repairs as a separate Warranty Claim before continuing with this workshop procedure.

6. Navigate to vehicle configuration main menu, in special applications select 'Engine Emission Control' then 'Purge Flow'.

Note: If WDS confirms an EVAP canister purge valve fault carry on from step 8. For any other faults the repairs should be carried out as a separate Warranty Claim.

7. Switch 'OFF' PTU, disconnect from vehicle and return WDS to original location.
8. Install the new EVAP canister purge valve (see Global Technical Reference GTR Workshop Manual, section: 303-13, SRO 17.15.30).

Note: Install the new hose and filter must before reinstalling the left-hand fender splash shield.

9. Cut the center out of the harness grommet from the inner fender panel. Insert the new hose through the inner fender panel harness grommet. (Illustration 1).

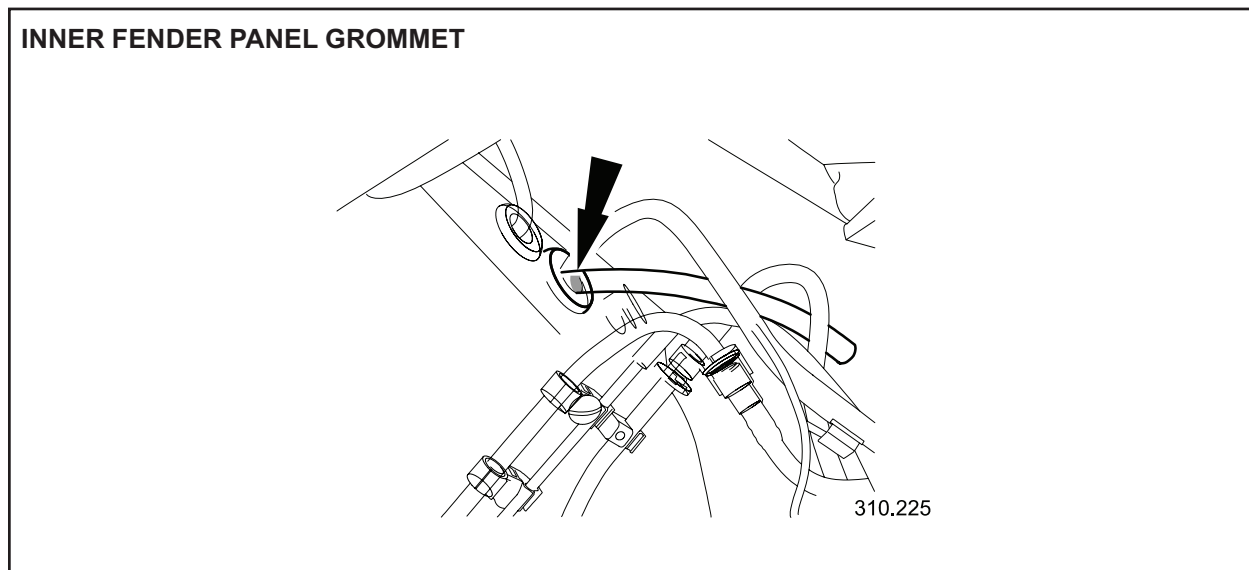


ILLUSTRATION 1

10. Connect the new hose to the stub pipe of the new EVAP canister purge valve (Illustration 2).

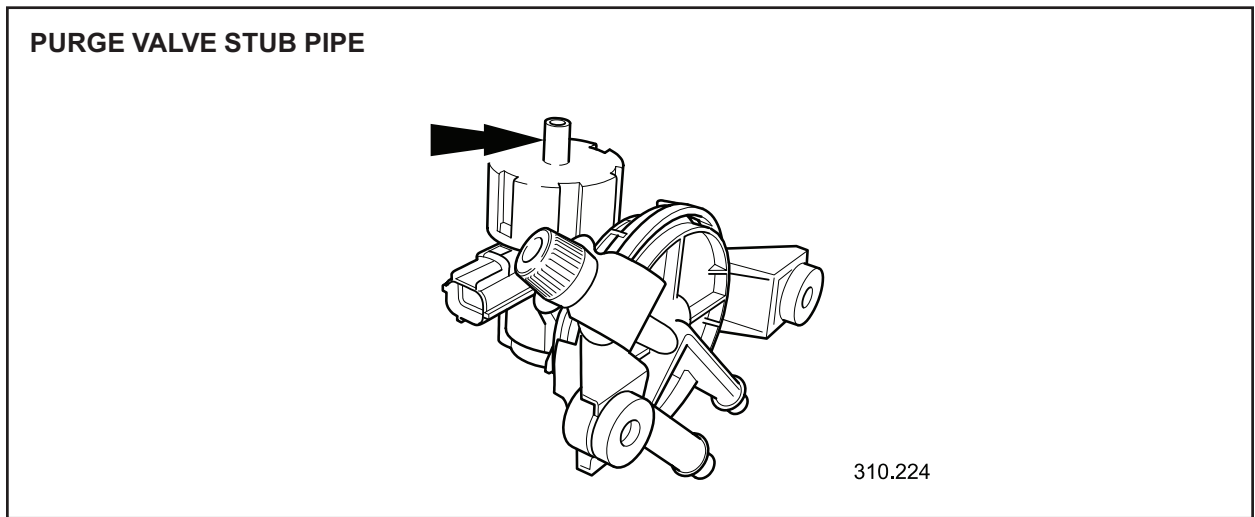


ILLUSTRATION 2

11. Continue with EVAP canister purge valve installation instructions (see Global Technical Reference GTR Workshop Manual, section: 303-13, SRO 17.15.30).
12. Open hood and install fender protection covers.

⚠ Caution: Ensure the hose is set clear from any component likely to cause chafing.

13. Route the new hose around the brake master cylinder.
14. Secure the cable tie clip to the new filter and cut the protruding tail from the cable tie.
15. Attach the new filter, and then cable tie the assembly to the hose and attach the cable tie to the stud (Illustration 3).

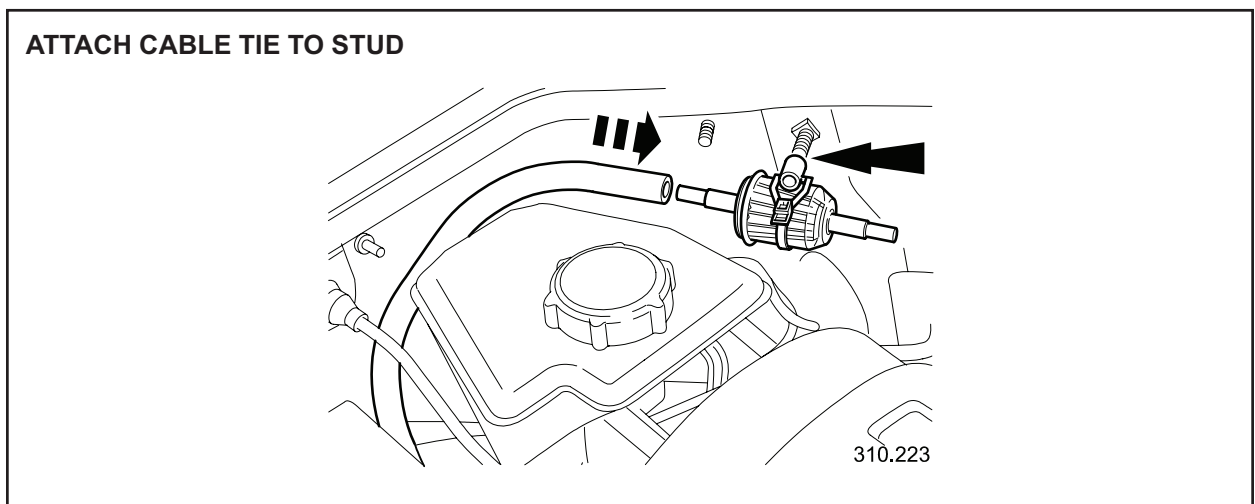


ILLUSTRATION 3

16. Secure the hose to the electrical harness using a cable tie and cut the protruding tail (Illustration 4).

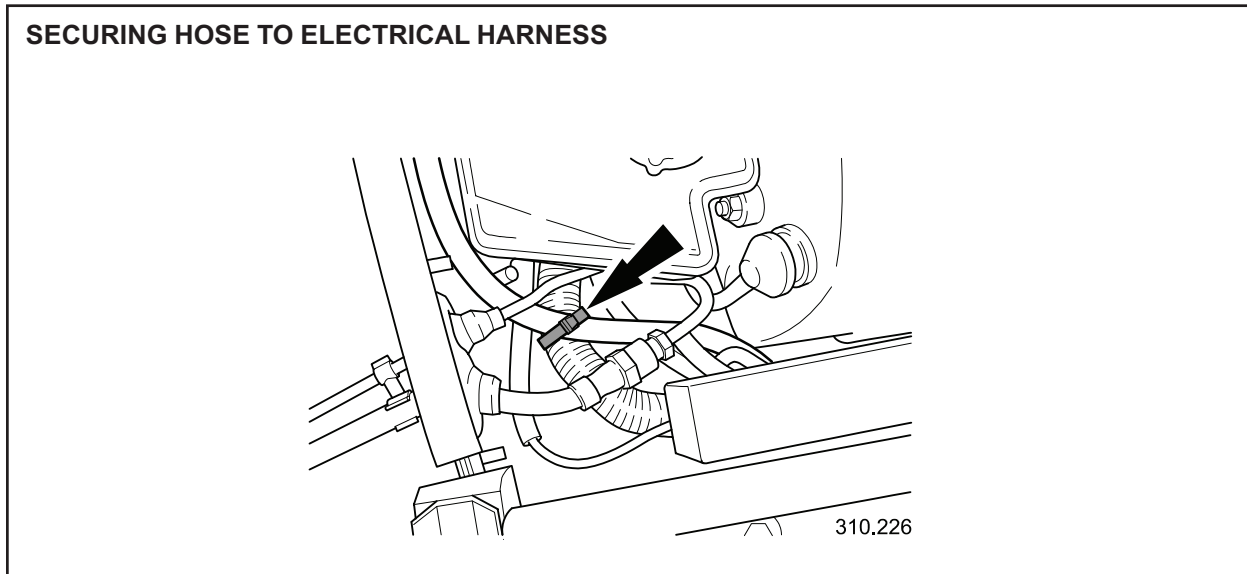


ILLUSTRATION 4

17. Remove fender protection covers and close hood.

Global Technical Reference (GTR) Workshop Manual Information:

Dealer access: <https://hub.franchise.jaguar.com>

Internet access: <http://www.jaguartechno.com>

Parts Information:

<u>DESCRIPTION</u>	<u>PART NUMBER</u>	<u>QTY</u>
EVAP canister purge valve	LJG 1515BB	1
Hose	C2N 3451	1
Filter	DAC 4062	1
Clip	C2N 1947	1
Cable tie	UKC 6683	1

Warranty Information:

Warranty claims should be submitted quoting the information found in the table below. This will result in payment of the stated time and, where applicable parts/miscellaneous expense codes as listed.

Description	SRO	Time	Causal Part Number
EVAP canister purge valve service fix	17.91.40	1.1 hrs.	NJA 6029AA