

**Tony Lawrence**

---

**From:** Christopher Ciz  
**Sent:** Wednesday, November 26, 2014 1:35 PM  
**To:** All Dirs All Rgns - PT; All Dirs All Rgns - SR  
**Subject:** MAZDA DEALER NOTICE - SERVICE BULLETIN RELEASE

**SERVICE BULLETIN RELEASE - 11/26/2014**

2014 INDEX: [http://www.mstore2000.com/PDF\\_Files/index11-26-14.pdf](http://www.mstore2000.com/PDF_Files/index11-26-14.pdf)

The following Service Bulletin has just been issued.

- For printable PDF files from MStore, click on the link below each TSB title:

\* If the links do not automatically take you directly to the document, cut and paste the link into your internet browser address window and press enter.

**UPDATED BULLETIN**

**05-008/14 - MULTI-MODEL (6 SPEED SKYACTIV M/T) - HARD  
TO SHIFT INTO 3RD, 4TH, 5TH AND/OR 6TH GEAR**

[http://www.mstore2000.com/PDF\\_Files/05-008-14-2920a.pdf](http://www.mstore2000.com/PDF_Files/05-008-14-2920a.pdf)

- Please distribute this information to all parts and service personnel.
- If you no longer wish to receive Mazda service bulletins, please contact the IT Administrator at your dealership and ask them to remove your email address from under the EMDCS application.



MAZDA MOTOR CORP. 2-1-1982

TO: THE DIRECTOR, MAZDA MOTOR CORP.  
FROM: [Name]  
SUBJECT: [Subject]

1. [Text]

2. [Text]

3. [Text]

4. [Text]

5. [Text]

6. [Text]

7. [Text]

8. [Text]

9. [Text]



© 2014 Mazda Motor of America, Inc.

|                                                                         |                                |
|-------------------------------------------------------------------------|--------------------------------|
| <b>Subject:</b><br><br>HARD TO SHIFT INTO 3RD, 4TH, 5TH AND/OR 6TH GEAR | <b>Bulletin No:</b> 05-008/14  |
|                                                                         | <b>Last Issued:</b> 11/26/2014 |

## BULLETIN NOTE

- This bulletin supersedes the previous bulletins 05-008/14 issued on 07/14/14. The APPLICABLE MODELS, DESCRIPTION, REPAIR PROCEDURE, and WARRANTY INFORMATION have been revised.
- Changes are noted below beside the change bar in Red.

## APPLICABLE MODEL(S)/VINS

2012-2013 Mazda3 (SKYACTIV 6 M/T)

2014-15 Mazda3 (6 M/T) with VINs lower than JM1BM\*\*\*\*\*228314 (produced before August 8, 2014)

2013-2015 CX-5 (6 M/T) with VINs lower than JM3KE\*\*\*\*\*517027 (produced before August 8, 2014)

2014-2015 Mazda6 (6 M/T) with VINs lower than JM1GJ\*\*\*\*\*203425 (produced before August 8, 2014)

## DESCRIPTION

Some vehicles may exhibit one of the following concerns:

- Hard to shift into 3rd, 4th, 5th, and/or 6th gear.
- Sometimes the shifter may jump out of 3rd gear over a road bump when accelerating after deceleration at 25-40 mph (40-65 km/h)

This is caused by a failure of the related clutch hub(s). To correct the problem of hard shifting, the shape of the 3-4 and 5-6 clutch hub has been changed. A surface treatment has now been added to the 3-4 clutch hub to prevent 3rd gear from jumping out.

Customers having this concern should have their vehicle repaired using the following repair procedure.

## REPAIR PROCEDURE

1. Verify customer concern.
2. Remove the transaxle. Refer to MS3 online instructions or the Workshop Manual section 05-15.
3. Replace the 3-4 and 5-6 clutch hub with a modified one and the 3rd gear with a new one (listed in the Parts Information). Refer to the C66M-R 6-speed SKYACTIV Manual Transaxle Workshop Manual.

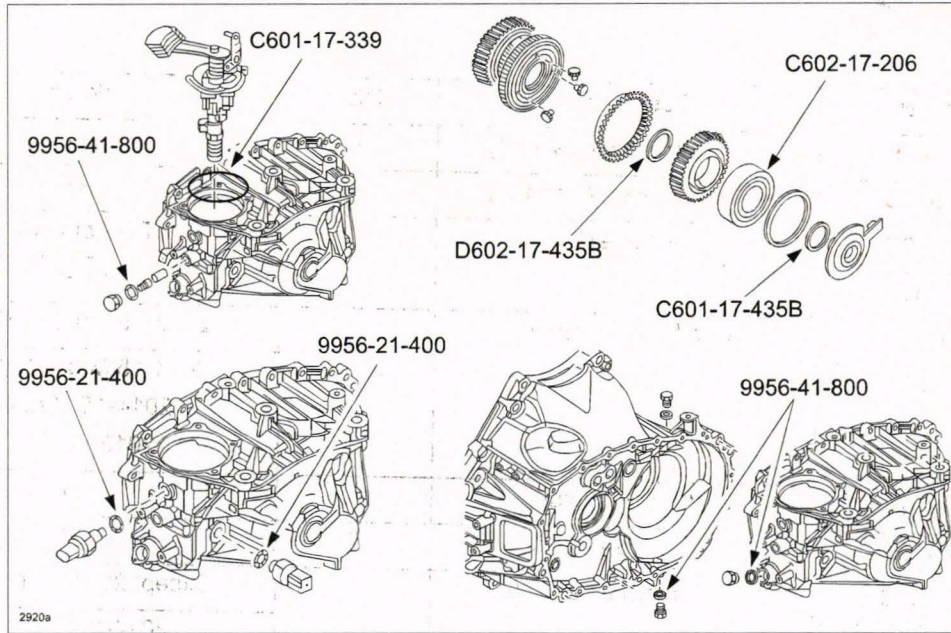
### NOTE:

- Bearing Puller part number 4907-10-520-L is used for this repair.
  - If 3rd gear is jumping out, replace the 3rd gear with a new one.
4. Install the transaxle.
  5. Verify repair.

**PART(S) INFORMATION**

| Part Number     | Description                  | Qty. | Notes                                                   |
|-----------------|------------------------------|------|---------------------------------------------------------|
| C602-17-240B    | 3-4 Clutch Hub Assembly      | 1    | All                                                     |
| C602-17-620B    | 5-6 Clutch Hub Assembly      | 1    | All                                                     |
| C601-17-230B    | 3rd Gear**                   | 1    | Except CX-5                                             |
| C610-17-230A    |                              |      | CX-5                                                    |
| G054-25-421     | Clip for drive shaft*        | 1    | 2012-15 Mazda3 (2.0L)                                   |
| H010-25-421A    |                              |      | 2014-15 Mazda3 (2.5L)<br>2014-15 Mazda6<br>2013-15 CX-5 |
| D651-33-042A    | Wheel Hub Nut*               | 2    | All                                                     |
| T060-26-169A    | Clip for Tie-rod End*        | 2    | All                                                     |
| B455-32-099B    | Bolt for Intermediate Shaft* | 1    | Except 2014-15 Mazda3                                   |
| KD31-32-099     |                              |      | 2014-15 Mazda3                                          |
| D602-17-435B    | Retaining Rig*               | 1    | All                                                     |
| C601-17-435B    | Retaining Rig*               | 1    | All                                                     |
| C602-17-206     | Ball Bearing*                | 1    | All                                                     |
| C601-17-339     | "O" Ring*                    | 1    | All                                                     |
| 9956-41-800     | Washer*                      | 2    | All                                                     |
| 9956-21-600     | Gasket*                      | 1    | All                                                     |
| 9956-21-400     | Washer*                      | 2    | All                                                     |
| 0000-77-5W80-QT | Manual Transaxle Oil         | 3    | Specification: 2.6 - 2.7 US qt                          |

\* Replacement parts



\*\* Replace 3rd gear only if necessary (if 3rd gear jumps out).

**WARRANTY INFORMATION**

**NOTE:**

- This warranty information applies only to verified customer complaints on vehicles eligible for warranty repair.
- This repair will be covered under Mazda's Powertrain Limited Warranty.
- Additional diagnostic time cannot be claimed for this repair.

|                              |                                 |
|------------------------------|---------------------------------|
| Warranty Type                | A                               |
| Symptom Code                 | 24                              |
| Damage Code                  | 9M                              |
| Part Number Main Cause       | C602-17-620B                    |
| Quantity                     | 1                               |
| Operation Number/Labor Hours | XXKA1XRX / 5.6 Hrs (All Models) |