

- ATTENTION:**
- GENERAL MANAGER
  - PARTS MANAGER
  - CLAIMS PERSONNEL
  - SERVICE MANAGER

IMPORTANT - All Service Personnel Should Read and Initial in the boxes provided, right.

|  |  |  |
|--|--|--|
|  |  |  |
|  |  |  |

© 2017 Subaru of America, Inc. All rights reserved.



QUALITY DRIVEN® SERVICE

## SERVICE BULLETIN

**APPLICABILITY:** 2013-2014MY BRZ

**NUMBER:** 07-120-17R

**SUBJECT:** Ignition Coils and Engine Harness- Design Changes to Address DTCs P0351, P0352, P0353 and / or P0354

**DATE:** 07/07/17

**REVISED:** 09/22/17

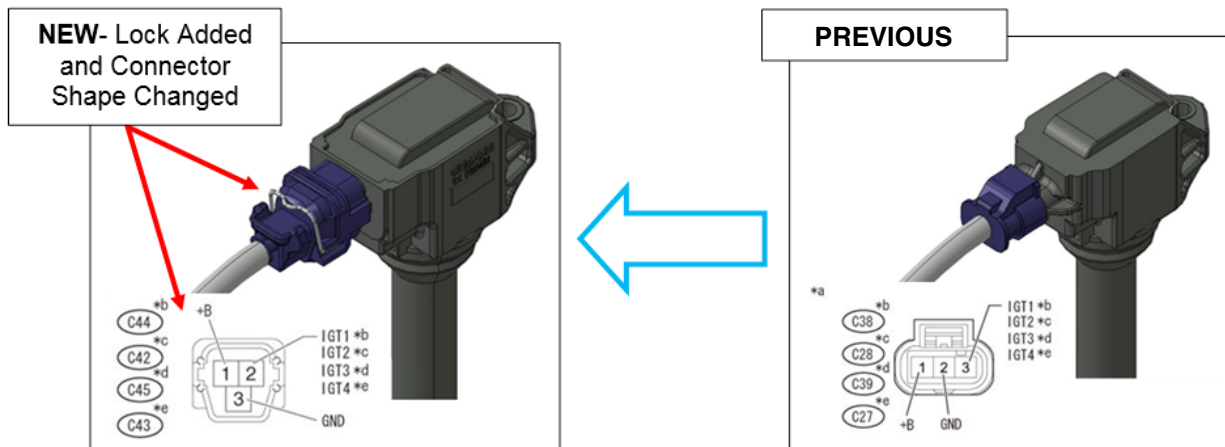
### INTRODUCTION:

This Service Information Bulletin announces design changes made to the ignition coil and engine wiring harness in response to a limited number of cases related to the ignition coil primary / secondary DTCs listed above. The changes involve a shape change to the harness connector on the coil and to the corresponding engine harness connector. A positive lock mechanism has also been added to the engine harness ignition coil connectors to reduce the chances of becoming disconnected and causing a driveability concern and / or DTC(s).

### PRODUCTION CHANGE INFORMATION:

The new parts were incorporated at the start of 2015MY vehicle production.

### PART INFORMATION:



*Continued...*

**CAUTION: VEHICLE SERVICING PERFORMED BY UNTRAINED PERSONS COULD RESULT IN SERIOUS INJURY TO THOSE PERSONS OR TO OTHERS.**

Subaru Service Bulletins are intended for use by professional technicians ONLY. They are written to inform those technicians of conditions that may occur in some vehicles, or to provide information that could assist in the proper servicing of the vehicle. Properly trained technicians have the equipment, tools, safety instructions, and know-how to do the job correctly and safely. If a condition is described, DO NOT assume that this Service Bulletin applies to your vehicle, or that your vehicle will have that condition.

**SUBARU OF AMERICA, INC. IS ISO 14001 COMPLIANT**

ISO 14001 is the international standard for excellence in Environmental Management Systems. Please recycle or dispose of automotive products in a manner that is friendly to our environment and in accordance with all local, state and federal laws and regulations.

| Description            | Part Number |            |
|------------------------|-------------|------------|
| HARNESS-ENGINE         | 2013MY      | 24020AG620 |
|                        | 2014MY      | 24020AG080 |
| COIL ASSEMBLY-IGNITION | 22433AA730  |            |

### SERVICE PROCEDURE / INFORMATION:

The procedure for replacing the ignition coil(s) and engine harness is unchanged from the Service Manual. **NOTE:** There is no interchange between the old and new parts. For example, the new part number engine harness and new part number ignition coils must be installed as a set.

### WARRANTY / CLAIM INFORMATION:

For vehicles within the Basic New Car Limited Warranty period, this repair may be submitted using the following claim information:

| Labor Description  | Labor Operation # | Labor Time | Fail Code |
|--|-------------------|------------|-----------|
| REPLACE BRZ IGN COILS & HARNESS FOR P0351-354, TSB 07-120-17 | A455-293          | 3.5        | GAB-48    |

### IMPORTANT REMINDERS:

- SOA strongly discourages the printing and/or local storage of service information as previously released information and electronic publications may be updated at any time.
- Always check for any open recalls or campaigns anytime a vehicle is in for servicing.
- Always refer to STIS for the latest service information before performing any repairs.