

*Giulietta*



# Technical data

	1.4 Turbo	1.4 Turbo MultiAir	2.0 JTDM	1750 TBI
<b>SPECIFICATIONS</b>				
No. of cylinders, layout	4, in line	4, in line	4, in line	4, in line
Bore x stroke (mm)	72 x 84	72 x 84	83 x 90.4	83 x 80.5
Displacement (cc)	1,368	1,368	1,956	1,742
Compression ratio	9.8 : 1	9.8 : 1	16.5 : 1	9.5 : 1
Maximum power output kW at rpm (DYNAMIC)	88 @ 5,000	125 @ 5,500 rpm	125 @ 4,000 rpm	173 @ 5,500 rpm
Peak torque Nm @ rpm (DYNAMIC)	206 @ 1,750	250 @ 2,500 rpm	350 @ 1,750 rpm	340 @ 1,900 rpm
Distribution (control)	Toothed belt with hydraulic tappets	Toothed belt with hydraulic tappets and intake side, MultiAir system	Toothed belt with hydraulic tappets	Two continuously variable valve timing units and toothed belt with hydraulic tappets
Fuel Supply	Multi-Point Injection, turbocharger with intercooler	Multi-Point Injection and MultiAir valve control system, turbocharger with intercooler	MultiJet II: direct injection 1,600 bar, variable geometry turbocharger with intercooler	Direct petrol injection and turbocharging with scavenging system and intercooler
Stop&Start system for automatic engine stopping/starting for short stops during city driving, useful for optimising fuel consumption and CO <sub>2</sub> emissions	As standard	As standard	As standard	Not available
<b>ELECTRICAL SYSTEM (12 V)</b>				
Battery: capacity (Amp Hour) / Generator (Amps)	63/450	63/450	72/570	60/540
<b>TRANSMISSION</b>				
Drive	Front	Front	Front	Front
Gearbox	6-speed manual	6-speed manual or TCT	TCT	6-speed manual
<b>TYRES</b>				
Standard trim level	205/55 R16 91V	205/55 R16 91V	225/45 R17 91W	225/40 R18 91W
<b>STEERING</b>				
Steering box	Dual Pinion	Dual Pinion	Dual Pinion	Dual Pinion
Kerb-to-kerb turning circle (m)	10.9	10.9	10.9	10.9
<b>SUSPENSION</b>				
Front	Advanced MacPherson with aluminium knuckle, hollow anti-roll bar, fitted on connecting rod			
Rear	Multilink with auxiliary frame and aluminium wishbones and anti-roll bar			
<b>BRAKES (DISCS)</b>				
Front (mm)	281	305	305	330
Rear (mm)	264	264	264	278
<b>CAPACITIES - WEIGHTS</b>				
Fuel tank (l)	60	60	60	60
Tare weight (kg)	1,259	1,269 / 1,284*	1,299	1,319
Max towable weight (kg) with braked trailer	1,300	1,300	1,300	1,300
<b>PERFORMANCE</b>				
Max speed (km/h)	195	218	218	242
Acceleration (driver + 30 kg) 0-100 km/h (s)	9.4	7.8	8.0	7.2
<b>FUEL CONSUMPTION - EMISSIONS In accordance with Directive 2004/3/EC</b>				
Consumption (l/100 km) urban cycle	8.4	7.9/6.7*	5.3*	10.8
Extra-urban cycle	5.3	4.7/4.3*	4.0*	5.8
Combined cycle	6.4	5.9/5.2*	4.5*	7.6
CO <sub>2</sub> emissions (g/km)	149	134/121*	119*	177
Environmental classification	Euro 5	Euro 5	Euro 5	Euro 5

\*Denotes TCT figures

# Standard equipment and options

○ = Optional P = Packaged with ● = Standard - = Not available

	GIULIETTA 1.4 TB MultiAir	PROGRESSION 1.4 TB MultiAir Man or TCT / 2.0 JTDM TCT	DISTINCTIVE 1.4 TB MultiAir/ 2.0 JTDM TCT	QUADRI FOGLIO VERDE 1750 Tbi
<b>EXTERIOR EQUIPMENT</b>				
Chrome line (chrome-plated window frame)	-	-	●	●
Tinted windows (rear window and rear doors)	-	-	P - Sportiva Pack	●
Electric heated door mirrors, body colour	●	●	●	●
Sunroof with extensive glazed area (linked to Black interior opt 5KW)	-	-	○	○
Pastel paints (NOTE: Ghiaccio White is a no cost option)	○	○	○	○
Metallic paints	○	○	○	○
<b>AESTHETIC FEATURES</b>				
Sports suspension	-	-	P - Sportiva Pack	●
Lowered ride height	-	-	P - Sportiva Pack	-
Satin door mirror fairings	-	-	P - Sportiva Pack	●
Twin exhaust pipe	-	-	-	●
Side skirts	-	●	P - Sportiva Pack	●
Red brake calipers	-	-	P - Sportiva Pack	●
Dark finish headlights	-	-	P - Sportiva Pack	●
QV Sportiva Badge	-	-	P - Sportiva Pack	-
Quadrifoglio Verde logo	-	-	-	●
Spoiler	●	●	●	●

## Exterior colours

### Solid paint



296 Ghiaccio White

289 Alfa Red



601 Black

### Metallic paint



620 Alfa Silver

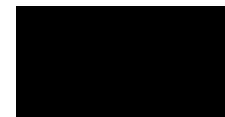
106 Red



319 Anthracite Grey



318 Magnesio Grey

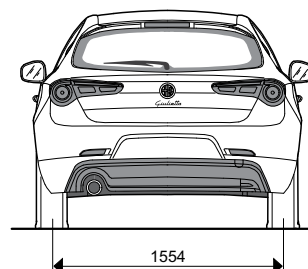
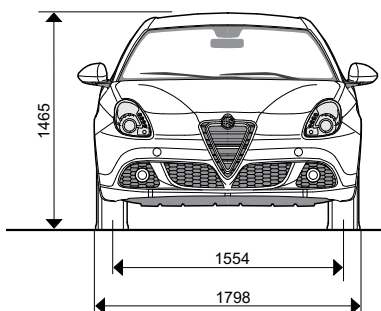
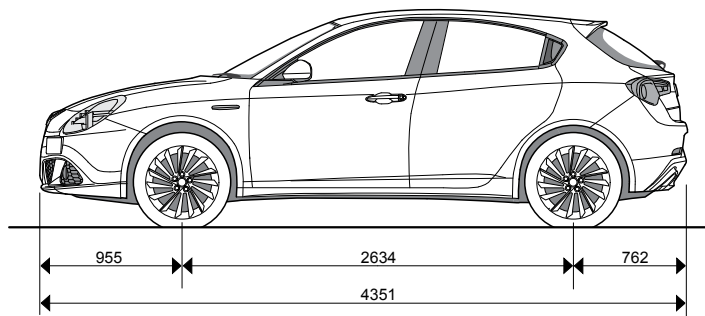


805 Etna Black



466 Profondo Blue

## Dimensions



Luggage capacity compartment: 350 litres

## Wheels



420 17" sports turbine-design alloy wheels (standard on Distinctive)



432 16" sport alloy wheels (standard on 1.4 TB MultiAir & JTDM Progression)



435 18" sports turbine-design alloy wheels (packaged with Sportiva Pack)



420 16" Wheel covers (standard on 1.4 TB Giulietta)



55E 18" sports turbine-design alloy wheels with dark finish (standard on QV)

# Standard equipment and options

○ = Optional P = Packaged with ● = Standard - = Not available

	GIULIETTA 1.4 TB MultiAir	PROGRESSION 1.4 TB MultiAir Man or TCT / 2.0 JTD TCT	DISTINCTIVE 1.4 TB MultiAir / 2.0 JTDM TCT	QUADRI FOGLIO VERDE 1750 Tbi
<b>SAFETY / MECHANICAL PARTS</b>				
Front air bags	●	●	●	●
Front side bags	●	●	●	●
Window bags	●	●	●	●
Passenger air bag	●	●	●	●
Alfa Romeo DNA	●	●	●	●
ABS with ASR Brake Assistant, Q2 electronic differential, ESC with Hill Holder	●	●	●	●
Fog lights	-	-	●	●
Space saver steel spare wheel	●	●	●	●
Seat Belt Reminder (SBR)	●	●	●	●
Dusk sensor	●	●	●	●
Rear parking sensors	○	○	●	●
Rain sensor	●	●	●	●
Outside temperature sensor	●	●	●	●
Humidity sensor	●	●	●	●
Start&Stop	●	●	●	-
Sunroof	-	-	○	○

<b>MULTIMEDIA</b>				
Steering wheel radio controls	●	●	●	●
Radio and mobile phone controls on the steering wheel	●	●	●	●
Alfa Sound System with CD/MP3 player, dual tuner, dual aerial and 6 speakers	●	●	-	-
Alfa Sound System with CD/MP3 player, dual tuner, dual aerial and 8 speakers	-	-	●	-
Bose® Hi-Fi system with CD/MP3 player, 10 speakers, dual tuner and dual aerial	-	-	-	●
Blue&Me™ (Bluetooth™ with voice commands and MP3 media player with USB port)	●	●	●	●
Set-up for Blue&Me™ TomTom portable navigation system	-	-	●	●
TomTom Navigation system	-	-	●	●

	GIULIETTA 1.4 TB MultiAir	PROGRESSION 1.4 TB MultiAir Man or TCT / 2.0 JTD TCT	DISTINCTIVE 1.4 TB MultiAir / 2.0 JTDM TCT	QUADRI FOGLIO VERDE 1750 QV
<b>INTERIOR EQUIPMENT</b>				
Driver side and passenger side front electric windows with raise and lower mechanism	●	●	●	●
Electric rear windows	●	●	●	●
Black interior accents	-	-	P - Sportiva Pack	●
Front armrest with storage compartment	●	●	●	●
Rear armrest with ski compartment	-	●	●	●
Automatic dual-zone climate control	-	-	●	●
Cruise control	●	●	●	●
Dark brushed aluminium dashboard inserts	-	-	P - Sportiva Pack	●
Smokers' kit with power socket	-	●	●	●
Aluminium sports pedal unit	-	-	P - Sportiva Pack	●
Sprint fabric seats	●	●	-	-
Competizione fabric seats	-	-	●	-
Seats in leather and microfibre fabric with red stitching	-	-	P - Sportiva Pack	●
Seats in leather with 'cannelloni' roll pattern and red stitching	-	-	○	○
60/40 split folding rear seat	●	●	●	●
Electro-chromic interior rear view mirror	-	-	●	●
On-board instrumentation with multi-function display and Trip Computer	●	●	●	●
Pockets on seat backs	●	●	●	●
Third rear headrest	-	●	●	●
Leather steering wheel with Opaque Black panel	●	●	●	-
Sports steering wheel in leather with red stitching and Opaque Black panel	-	-	P - Sportiva Pack	●

## PREMIUM PACK

- Electrically adjustable leather seats
- Sunroof

## QV SPORTIVA PACK

- QV Sportiva badge on front fenders
- Dark tinted windows
- Red brake calipers
- Sports steering wheel
- Sports suspension
- 18-inch turbine alloy wheels (opt 435)
- Sports pedals
- Side skirts
- QV alloy dash panel
- Satin door mirrors
- Tinted headlamps
- Side skirts
- Leather and microfibre trim
- Dark headlining
- Aluminium kick plate