



Audi TT RS Coupé / Roadster

TT RS

TT RS Coupé / Roadster

AUDI AG
85045 Ingolstadt
www.audi.com
Valid from September 2009

Printed in Germany
958/1191.00.18

The models and equipment versions illustrated and described in this brochure and some of the services listed are not available in all countries. Some of the cars illustrated are equipped with optional equipment for which an extra charge is made. Details concerning the delivery specifications, appearance, performance, dimensions and weights, fuel consumption and running costs of the vehicle were correct to the best of our knowledge at the time of going to press. Deviations from the colours and shapes shown in the illustrations may occur. No liability is accepted for errors and printing errors. The right to introduce modifications is reserved. Not to be reproduced, including in part, without the written approval of AUDI AG.

This brochure is printed on paper made from pulp bleached without the use of chlorine.

Vorsprung durch Technik 



The Audi TT RS.

Reduced to performance.



Contents:

DESIGN	6
INTERIOR	12
SUSPENSION	16
HANDLING/ENGINE	20
HANDLING/EFFICIENCY	26
EQUIPMENT	32
TECHNICAL DATA	40
DIMENSIONS	42
AUDI MOTORSPORT, AUDI CONFIGURATOR, AUDI TV	44





Less rules.

A sports car. Developed with the aim of creating a pure driving machine. Authentic and emotional. Equipped with the genes of the Urquattro. Built to set standards. Exceptionally sporty. For direct contact with the road. The Audi TT RS.





Less restraint.

The design: fascinating and powerful. Its lines: timeless. A design icon. Enhanced by typical TT RS features. The radiator grille with high-gloss black diamond-shaped grid. Exterior mirrors in matt aluminium look. Large wheels in exclusive designs. The TT RS: experience it. As an observer. And as a driver.





Its appearance: exceptionally dynamic. TT RS-specific details accentuate this impression: bumpers with enlarged air intakes at the front and striking diffuser insert at the rear. A dual-branch exhaust system with oval tailpipes. The fixed rear wing. Functionally designed with an unmistakable style.





RS



D HH TG 157

Less distraction.

The cockpit: interface between driver and machine. Its interior: puristic black. The sports steering wheel has good grip for precise control. Sports seats and optional bucket seats for superior support. TT RS-specific design characteristics and contrasting materials for exciting dynamics. And yet. You will only have eyes for the next bend.









The interior: concentrated on the essentials, focussed on function. Seat covers, steering wheel, instrument cluster and door sill trims bear TT RS logos. The driver information system also transmits data about boost pressure, oil temperature and lap timer. Ergonomically designed cockpit elements. Operated intuitively. All geared to one purpose: a genuinely sporty driving experience.

Less compromises.

The TT RS sports suspension only knows one challenge: the road. Lowered suspension and a special spring/damper setting provide outstanding handling. Steering commands are executed precisely. The quattro® permanent all-wheel drive ensures excellent grip. And superb traction. Driving forces are transmitted to the asphalt with hardly any loss. An 18-inch high-performance braking system ensures direct deceleration. The ESP can be deactivated in two stages. 18-inch aluminium wheels optionally with 19 and 20-inch tyres with exclusive design and exceptional grip. Driving with unimagined intensity: more direct. Typically TT RS.

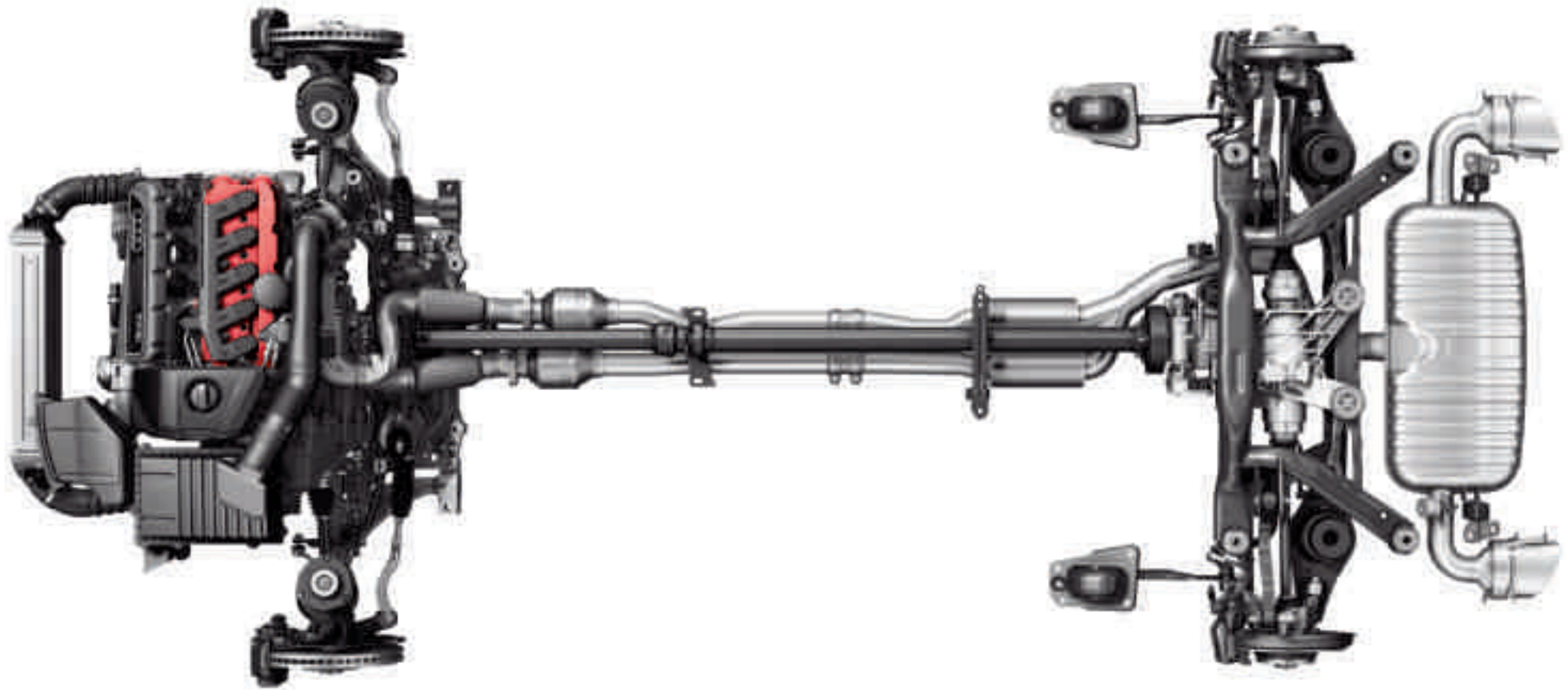




High-performance braking system

Extreme force, extreme load: The 18-inch high-performance braking system of the TT RS stands for safety. Four-piston brake callipers painted in black with the RS logo on the front axle. With ventilated brake discs. 370 mm in diameter at the front, additionally drilled and designed in composite technology. For good stability, even in high-load conditions.





quattro® permanent all-wheel drive

Different surfaces, rapid series of curves, changes of speed. Many factors – one requirement: to bring the impressive engine power of the TT RS onto the road superbly in any situation. This task is mastered by the quattro® permanent all-wheel drive. By means of a specially adapted, newest generation Haldex clutch, it distributes the drive power to all four wheels. As required and in fractions of a second.

This means: superb handling on nearly every surface, improved adhesion on bends and impressive traction. Moreover, the drive train has been strengthened to be able to transmit the maximum torque of 450 Nm. The result is a perfect interplay of force and innovative technology.

Less boredom.

The TFSI® engine. The heart of the TT RS. More than just complex technology. Sets emotions free. Generates intense moments. This reveals itself right from the start: the robust sound of the five-cylinder power unit exudes unbridled power. Developed especially for this model, it catapults the TT RS from 0 to 100 km/h in 4.6* seconds. It continues this sprint to 200 km/h in a further 11.3* seconds. In conjunction with quattro®, the 6-speed manual transmission ensures a driving sensation just like motor racing. Pure. Charged with emotion. Extremely dynamic.

* Figures for Coupé.

The fuel consumption and CO₂ emission figures can be found on page 40 onwards.

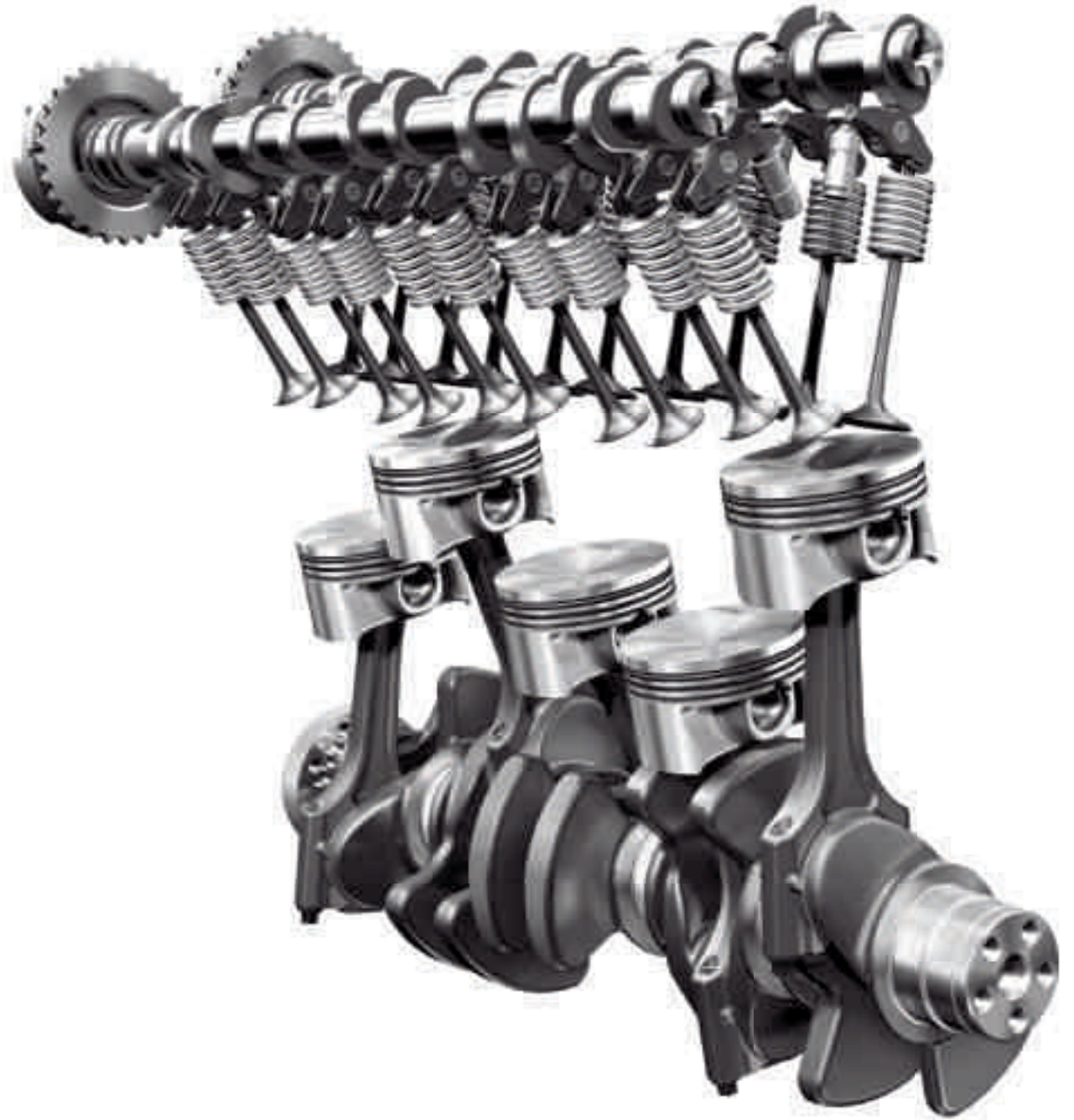
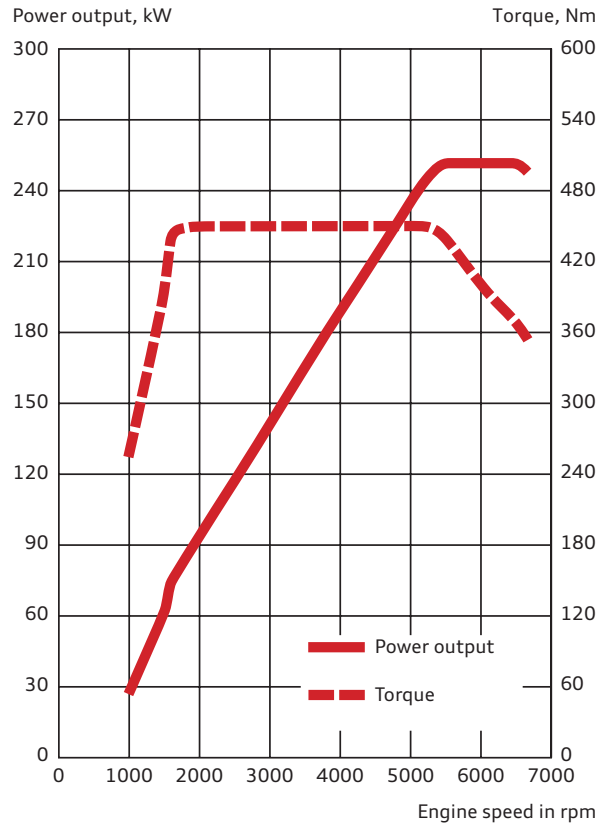




5-cylinder TFSI

Propulsion and adrenaline: the engine of the TT RS creates both in fractions of a second. The 250 kW of the TT RS is just waiting to be released. Even at low speeds, the unit makes a lot of torque available. And it maintains this potential over a very wide range – with an impressive maximum of 450 Nm between 1,600 and 5,300 rpm. For breathtaking thrust, extreme agility and maximum emotion. On any route. Every single second.





More thrust, more efficiency: the engine of the TT RS is the first Audi five-cylinder with the combination of FSI® direct fuel injection and turbocharging. The design: particularly compact. Its FSI technology: already proven on the race track. Petrol is injected directly into the combustion chamber. Precisely metered for efficient combustion and improved utilisation of fuel. Meanwhile, the turbocharger ensures high torque at low speeds. For you, this means impressive torque with moderate fuel consumption.

The fuel consumption and CO₂ emission figures can be found on page 40 onwards.

The five-cylinder design is rooted deep in the Audi genes. With countless successes in rally and circuit sport. Legendary models were powered by turbocharged five-cylinder engines: from the Urquattro and the Sport quattro S1 to the Audi IMSA/GTO vehicles. A long tradition which makes the TT RS a legitimate successor to the Urquattro. But the inherited dynamics can be further enhanced by activating the sport button. The engine responds more rapidly to accelerator pedal movements, and the backing sounds of the exhaust system roar more powerfully. The result is a driving experience like never before.

The fuel consumption and CO₂ emission figures can be found on page 40 onwards.









Less weight.

Attain maximum performance. With outstanding efficiency in every detail. The Audi Space Frame (ASF) technology combines aluminium and steel. This reduces the weight of the vehicle and increases rigidity. For extremely direct handling and extraordinary driving pleasure. Less weight, but more power: the enormous potential of the five-cylinder TFSI power unit is transferred to the road superbly, thanks to the quattro® permanent all-wheel drive. In doing so, the consumption of the TT RS is convincing in its restraint: 9.2 litres per 100 km.* A performance which will impress you again and again.

* Figures for Coupé.

The fuel consumption and CO₂ emission figures can be found on page 40 onwards.

Built for unique driving enjoyment. Evolved from the genes of the Urquattro. Design icon and extreme sportsman in one. Discover a new limit: the Audi TT RS.





TT RS

D HH TG 157

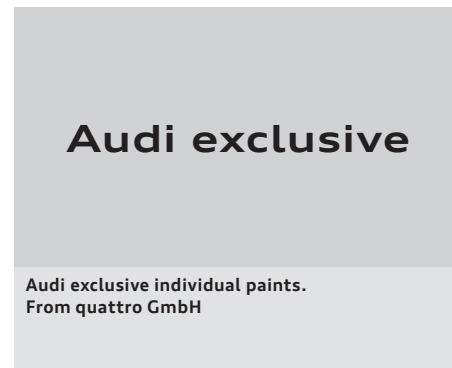
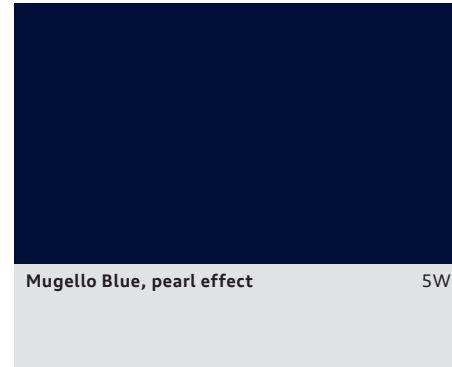
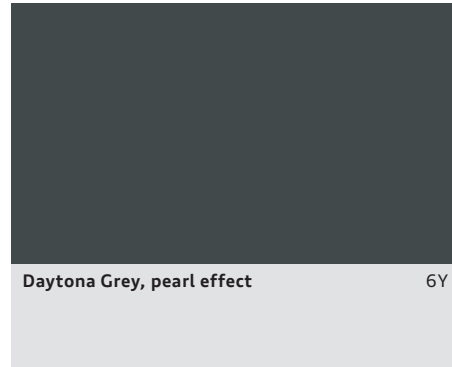
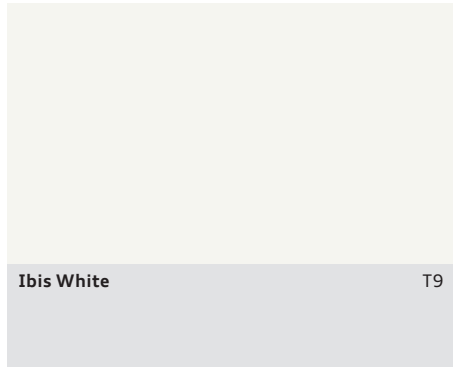
More

TT

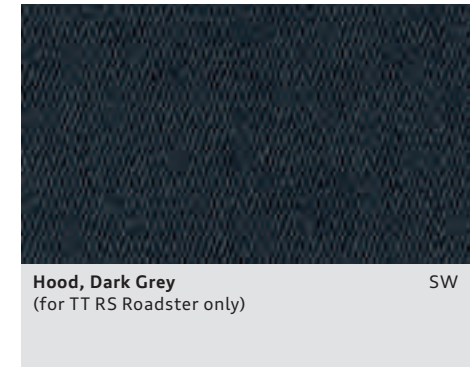
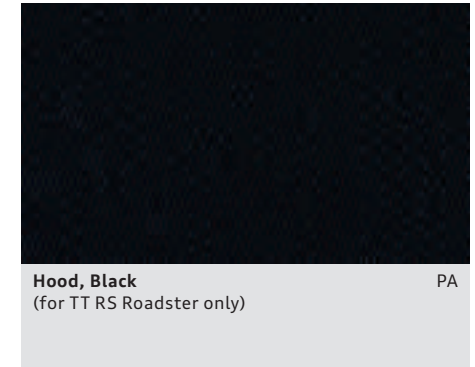
.

TTRS

Paints

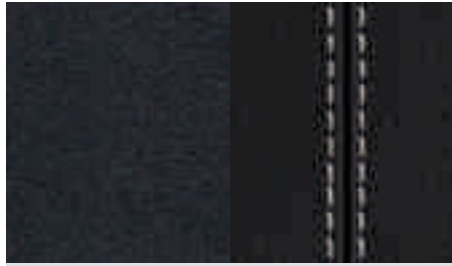


Hood colours



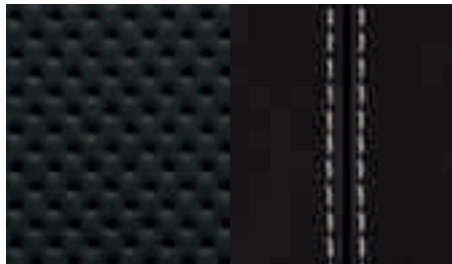
Please find out from your local Audi partner which equipment is standard and what optional equipment is available in your country.

Sports seats



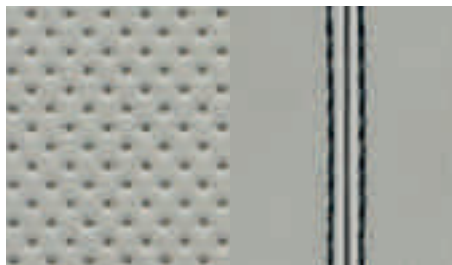
Alcantara/Leather, black
with contrasting silver seams

ZM



Silk Nappa leather, black
with contrasting silver seams

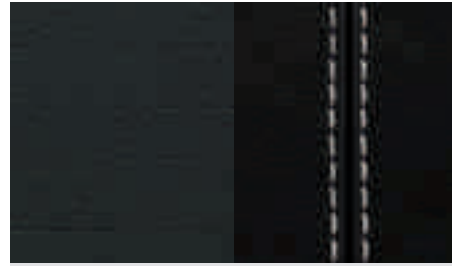
ZM



Silk Nappa Leather, silver
with contrasting black seams

UC

TT RS bucket seats



Fine Nappa leather, black
with contrasting silver seams

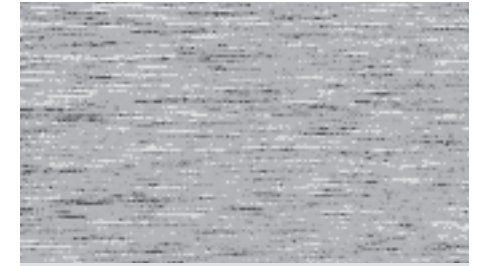
ZM

Sports seats/TT RS bucket seats

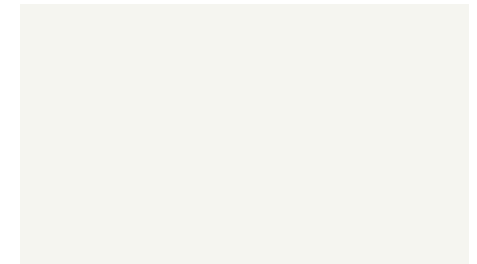
Audi exclusive

Audi exclusive leather upholstery and trim.
From quattro GmbH

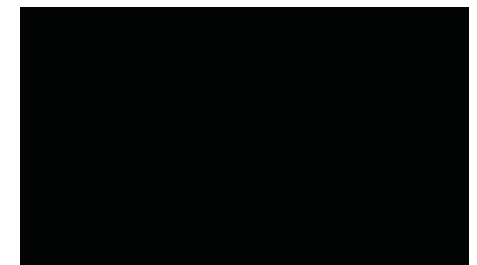
Inlays



Matt brushed aluminium



Ibis White



Phantom Black

Wheels/tyres



Cast aluminium wheels, 5-double-spoke design,
size 9 J x 18 with 245/40 R 18 tyres



Cast aluminium wheels, 5-arm rotor design,
size 9 J x 19 with 255/35 R 19 tyres



Forged aluminium wheels, 7-double-spoke design, polished, two-tone,
size 9 J x 20 with 255/30 R 20 tyres



Cast aluminium winter wheels, 5-double-spoke design,
size 9 J x 18 with 245/40 R 18 winter tyres,
cannot be fitted with snow chains



Cast aluminium wheels, 5-arm rotor design,
titanium-look, high-gloss turned finish,
size 9 J x 19 with 255/35 R 19



Cast aluminium winter wheels, 5-arm rotor design,
size 9 J x 19 with 255/35 R 19 winter tyres,
cannot be fitted with snow chains



Cast aluminium wheels, 5-segment-spoke design,
size 9 J x 19 with 255/35 R 19

Please find out from your local Audi partner which equipment is standard and what optional equipment is available in your country.

Equipment packages/design packages

Matt aluminium styling package: front apron lip, lower edge of rear diffuser insert and mount for TT RS rear wing in matt aluminium look

Audi exclusive black styling package: radiator grille, licence plate holder and radiator grille frame in high-gloss Black. From quattro GmbH

Paints

Paints: solid

Paints: metallic/pearl effect

Audi exclusive individual paints. From quattro GmbH

Exterior equipment

Roof systems, closing systems, glazing, further exterior equipment

Roof systems

Hood, fully automatic (TT RS Roadster), made from insulated 3-ply fabric, providing improved noise and heat insulation in the interior; includes integral fully automatic cover flaps, headlining in black, hood opens in 12 seconds

Closing systems

Anti-theft alarm including interior monitoring and anti-tow away function using angle of inclination sensor, can be deactivated; horn independent of vehicle electrical system; system monitors engine and luggage compartments, doors and interior

Radio-operated remote control for the central locking, incorporated into the vehicle key, opens and locks doors, windows and luggage compartment at the touch of a button – with variable rolling code

Garage door opener (HomeLink), programmable radio remote control with three presets, operating buttons incorporated into the interior lighting module; can be used to open and/or close garage doors and exterior gates; allows control of security and lighting systems; please contact your Audi partner for further information

Inside door handles in TT RS design

Fitting for tracking system, fitting for connecting a tracking system that enables a stolen vehicle to be located

Central locking with radio remote control incorporated into the vehicle key, locks the doors, tailgate and tank filler flap; includes convenience opening/closing feature for the windows and separate tailgate release function via the radio remote control; additional controls on the driver's door for operating the central locking from inside the vehicle

Glazing

Windscreen with grey strip along the top edge

Rear window, heated with timer switch. Integral window aerial (TT RS Coupé)

Dark-tinted windows (privacy glazing): dark-tinted rear window and rear side windows (TT RS Coupé). From quattro GmbH

Windscreen cleaning system, two speeds, 4-speed adjustable intermittent wipe, flick-wipe function, automatic wash/wipe, automatic wiping after the last wash/wipe process

Heat-insulating glass, green tinted, windscreen made of laminated glass

Further exterior equipment

Exhaust system, dual-branch design with oval tailpipes

Rear wing in TT RS design, fixed, on tailgate

Rear spoiler extends electrically as a function of speed, replaces the TT RS rear wing; auto-matically extends at 120 km/h, retracts at 80 km/h; can also be controlled manually using the button in the centre console

Radiator grille with diamond-shaped pattern, high-gloss black finish, with one-piece decorative frame in matt aluminium look

TT RS logo in radiator grille, on the door sill trims and on the rear

Sports exhaust system, dual-branch design, with black oval tailpipes, for an enhanced sound experience

Bumpers in TT RS design with large air intakes at the front and diffuser insert at the rear; bumpers and sill trim body-coloured

Aluminium tank cap with embossed TT logo

Wheels/tyres

Cast aluminium wheels, 5-double-spoke design, size 9 J x 18 with 245/40 R 18 tyres

Cast aluminium wheels, 5-arm rotor design, size 9 J x 19 with 255/35 R 19 tyres

Cast aluminium wheels, 5-arm rotor design, titanium look, high-gloss turned finish, size 9 J x 19 with 255/35 R 19 tyres

Cast aluminium wheels, 5-segment-spoke design, size 9 J x 19 with 255/35 R 19 tyres

Forged aluminium wheels, 7-double-spoke design, polished, two-tone, size 9 J x 20 with 255/30 R 20 tyres

Winter wheels

Cast aluminium wheels, 5-double-spoke design, size 9 J x 18 with 245/40 R 18 winter tyres, permissible top speed 240 km/h, cannot be fitted with snow chains

Cast aluminium wheels, 5-arm rotor design, size 9 J x 19 with 255/35 R 19 winter tyres, permissible top speed 240 km/h, cannot be fitted with snow chains

Vehicle tool kit in luggage compartment
Wheel bolts, anti-theft , can only be loosened using adapter provided
Tyre pressure monitoring system , monitors the tyres throughout the journey based on the air pressures set and programmed into the system by the driver; if one or more tyres start to deflate the tyre pressure monitor uses the difference in the rotational speed and the natural frequency of the wheels to calculate the air loss and gives the driver a visual and audible warning; the system is not intended as an alternative to carrying out regular tyre pressure checks
Tyre repair kit , 12 volt compressor and tyre sealant in luggage compartment; top speed 80 km/h
Jack

Lights and mirrors

Lights, mirrors

Lights

adaptive light , dynamic cornering light provided by swivelling headlights; for better illumination of corners
Brake light , third brake light (LED)
Main beam assist : when activated, the system detects vehicles ahead and oncoming traffic and automatically switches back to dipped beam. The main beam is reactivated automatically once the road is clear.
Rear lights in clear glass look with white reversing light; three-dimensional design
Interior lighting with delayed switch-off and contact switches on all doors; driver, passenger and luggage compartment illumination; front reading lights
LED interior lighting package , interior light, ambient lighting, front footwell lights, inside door handle lighting, make-up mirror lighting (for TT RS Coupé only), entrance lighting and active door reflectors
Rear foglight incorporated in the centre of the bumper
Lights styling package , chrome-look design headlight surrounds, black rear light inserts
Headlight cleaning system , uses water and high pressure – for excellent illumination and improved visibility
Xenon plus with LED daytime running lights , ellipsoidal headlights with gas discharge technology, includes dynamic headlight range control

Mirrors

Electrically adjustable exterior mirrors , aspherical on the driver's side, convex on the passenger side, matt aluminium-look housings, with integral LED side indicators
Exterior mirrors
heated (including heated windscreen washer nozzles)
electrically folding, heated (including heated windscreen washer nozzles)
automatically dimming, electrically folding, heated (including heated windscreen washer nozzles). (Can only be ordered with automatically dimming interior mirror)
Exterior mirror housings in Carbon

Interior mirror, dimming
Interior mirror, automatically dimming, with light/rain sensor to control the automatic lights-on function and the windscreen wipers, includes coming home/leaving home function: delayed switch-off/automatic switch-on of main headlights, rear and license plate lights when vehicle is switched off/opened; optionally available with digital compass display ; this provides a digitised display of the current heading; the eight points of the compass (N, NE, E, SE, S, SW, W, NW) are shown in English
Make-up mirrors , in driver and front passenger sun visors (illuminated on the TT RS Coupé)

Seats

Seats, seating comfort, seat covers/leather packages

Seats

Sport seats at front with shaped side bolsters for better lateral support when cornering; with manual fore/aft, head restraint and backrest angle adjustment; adjustable seat height for both driver and front-passenger seats
Rear seats (for TT RS Coupé only), 2 rear seats, approved for people up to 1.50 m tall or children up to 12 years of age and 1.25 m tall in a child seat
TT RS front bucket seats , with manual fore/aft, seat height and backrest angle adjustment, no side airbag and no ISOFIX child seat mounting

Seating comfort

Head restraints, front height-adjustable, incorporated into seat on TT RS bucket seats
Rear seat backrest (TT RS Coupé), can be split and folded 50:50
Lumbar support , electric four-way adjustment, for the front seats (Cannot be ordered in conjunction with TT RS bucket seats)
Seat adjustment, electric, for the front seats with lumbar support, electric adjustment of fore/aft position, seat height and seat and backrest angle (Cannot be ordered in conjunction with TT RS bucket seats)
Seat heating for the front seats , can be adjusted in three stages, includes seat bolster heating

Seat covers/leather packages

Alcantara/Leather combination : head restraints and seat side bolsters in leather (with contrasting seams), seat centre sections and door trim inserts in Alcantara; includes embossed TT RS logo on the front-seat backrests. (Can only be ordered in conjunction with front sports seats)
Silk Nappa leather upholstery and trim : head restraints and seat side bolsters in leather (with contrasting seams), seat centre sections feature perforated inserts; door trim inserts in leather (to match colour of seats); includes embossed TT RS logo on the front-seat backrests. (Can only be ordered in conjunction with front sports seats)
Fine Nappa leather upholstery and trim : head restraints and seat side bolsters (with contrasting seams) and seat centre sections in leather, seat side bolster and seat centre section inserts in the upper area of the front-seat backrests and the door trim in leather with TT perforation; includes embossed TT RS logo on the front-seat backrests. (Can only be ordered in conjunction with TT RS front bucket seats)
Audi exclusive leather upholstery and trim in Fine Nappa leather : seat centre sections, seat side bolsters, head restraints and door trim inserts in Fine Nappa leather; includes embossed TT RS logo on the front-seat backrests; floor mats with leather piping. From quattro GmbH

Audi exclusive leather upholstery and trim in Fine Nappa leather with additional items: seat centre sections, seat side bolsters, head restraints and door trim inserts in Fine Nappa leather; includes embossed TT RS logo on the front-seat backrests; centre console trim, door armrests and door pull handles, handbrake grip, gear lever knob and instrument panel hood in leather; floor mats with leather piping. From quattro GmbH

Audi exclusive leather upholstery and trim in Alcantara/Fine Nappa leather: head restraints and seat side bolsters in Fine Nappa leather, seat centre sections and door trim inserts in Alcantara; includes embossed TT RS logo on the front-seat backrests; floor mats with leather piping. From quattro GmbH

Audi exclusive leather-covered roll-over bars (TT RS Roadster), leather to match seat upholstery. From quattro GmbH

Leather package: handbrake grip in perforated leather, additional centre console armrest in black Fine Nappa leather with silver contrasting seam, door pull handles in black Fine Nappa leather

Extended leather package: handbrake grip in perforated leather, additional centre console armrest, door armrests, instrument panel hood and centre console trim in black Fine Nappa leather with silver contrasting seam, door pull handles in black Fine Nappa leather

Interior equipment

Decorative elements, climate control, luggage securing and storage systems, further interior equipment

Decorative elements

Inlays in the centre console, on the glove compartment and on the door handle surrounds

Matt brushed aluminium

Painted in Ibis White

Painted in Phantom Black

Door sill trims with aluminium inlay and TT RS logo

Climate control

Automatic air conditioner, with unique TT look, CFC-free with sunlight-dependent control; electronically regulates air temperature, air flow rate and air distribution; ram air control and recirculation mode, activated charcoal filter

Luggage securing and storage systems

Storage package, storage nets in the front-passenger footwell and on the front-seat backrests, storage compartment under the front seats and storage net in boot (TT RS Coupé) or two additional storage compartments on the rear panel behind the seats; includes seat backrest release (TT RS Roadster). (Cannot be ordered in conjunction with TT RS bucket seats)

Load-through facility with ski bag (TT RS Roadster) for practical transportation of long objects, e. g. up to two pairs of skis up to 190 cm long. (Cannot be ordered in conjunction with TT RS bucket seats)

Luggage compartment cover, removable (TT RS Coupé)

Drinks holders, 2 holders incorporated into the centre console

Glove compartment on the front-passenger side, lockable, illuminated

Lashing points in the luggage compartment, 4, for securing loads (TT RS Coupé)

Further interior equipment

Ashtray and cigarette lighter in front centre console

Audi exclusive headlining in Alcantara (TT RS Coupé), individual choice of colour from a selection of Audi exclusive colours. From quattro GmbH

Extended aluminium look in interior for vents, radio and A/C controls, rotary light switch and steering wheel spokes, pedals and footrest

Electric windows, with safety system to limit maximum closing force, one-touch opening/closing function; convenience opening/closing via central locking

Floor mats with TT RS logo. From quattro GmbH

Footwell trim, to match selected interior colour; **floor mats** with piping in silver

Mesh wind deflector (TT RS Roadster), extends and retracts electrically

TT RS logo on the TT RS multifunction leather sports steering wheel, on the rev counter and on the front-seat covers

Steering wheels

Steering wheels/gear levers/controls

Audi exclusive leather controls: leather trim for steering wheel rim, gear lever gaiter, gear lever knob and handbrake grip in all Audi exclusive colours. From quattro GmbH

Controls in "suede": steering wheel rim, gear lever knob and handbrake grip covered in black "suede". From quattro GmbH

Steering wheel customised with Audi exclusive leather, available in all Audi exclusive colours. From quattro GmbH

TT RS multifunction leather sports steering wheel in 3-spoke design, flat-bottomed, with full-size airbag and TT RS emblem, adjustable for height and reach; covered in perforated leather with contrasting silver seams; for operating all Audi radio systems and – if included in order – the speech dialogue system (TT RS Coupé), the mobile phone fitting or the Bluetooth interface

Gear lever knob with aluminium-look trim ring, gear lever gaiter in black leather with contrasting silver seam

Reduced gear lever travel, shortens the gearshift travel; sporty short gear lever

Infotainment

MMI and navigation systems, radio and TV systems, telephones and communications

MMI and navigation systems

Driver information system with high-resolution display in white, with radio-controlled clock and date display; with displays for: Auto Check Control, digital speed display, radio frequency, two adjustable speed warning thresholds, outside temperature, trip computer, doors and luggage compartment monitors, TT RS menu with boost pressure and oil temperature display and lap timer

Navigation system with MMI operating logic, 6-inch monochrome display in the centre console for entering destination and route description, dynamic route guidance (where available), radio with twin tuner, CD player for navigation CD, audio or MP3 CDs, aerial diversity, AUX-in connection, arrow display in the driver information system; includes aerial and 9 active loudspeakers. Navigation CD for countries includes main transport links in Europe (where digitised)

Navigation system plus with MMI operating logic, includes two navigation DVDs (where digitised), 6.5-inch TFT colour display (800 x 480 pixels) with 3D map display, dynamic route guidance (where available), radio with twin tuner, DVD player for navigation DVD, audio or MP3 CDs (cannot be played when navigation system is being used), two integral MMC/SD card readers for MP3 (up to 32 GB), AUX-in connection, arrow display in driver information system; includes aerial and 9 active loudspeakers, possible to connect to Audi music interface. (If the Audi music interface is fitted, the AUX-in connection is omitted)

Navigation DVDs for navigation system plus: contain navigation data for the following countries (where digitised): Andorra, Austria, Belgium, Croatia, Czech Republic, Denmark, Estonia, Finland, France, Germany, Greece, Hungary, Ireland, Italy, Latvia, Liechtenstein, Lithuania, Luxembourg, Monaco, the Netherlands, Norway, Poland, Portugal, San Marino, Slovakia, Slovenia, Spain, Sweden, Switzerland, UK, the Vatican City

Radio and TV systems

chorus radio with single-CD player, 12-station memory, FM (VHF) and AM (MW) reception, soft-key operating concept and three-line graphic display, CAN bus networking, speed-dependent volume control, phase diversity, four passive loudspeakers, total output 40 watts

concert radio, as for chorus radio but is also MP3-enabled; includes 5-channel amplifier and 9 active loudspeakers, total output 140 watts, AUX-in connection

symphony radio, as for concert radio but also featuring a TP memo function, with integral 6-disc MP3-compatible, CD changer (instead of single-CD player)

BOSE Surround Sound, the system is tuned to the acoustics of the vehicle interior; dynamic driving noise compensation, 8-channel amplifier with a total output of 255 watts, 12 high-performance loudspeakers including centre speaker and subwoofer – for an outstanding sound experience

Audi music interface, for connecting generation 4 and higher Apple iPods, an Apple iPhone (music functionality), USB storage media and MP3 players. The Audi music interface is located in the glove compartment and is operated via the navigation system plus or the TT RS multifunction leather sports steering wheel. Note: can only be ordered in conjunction with navigation system plus and can only be used with special adapter cable (Audi Genuine Accessories). Please contact your Audi partner for information on compatible MP3 players

CD changer in the glove compartment, for six CDs, vibration-proof, easily accessible; each CD can be loaded and changed individually

Audi exclusive iPod adapter console in the glove compartment; limited iPod operation via radio or TT RS multifunction leather sports steering wheel; the iPod is charged in the console during use. Please contact your Audi partner for information on compatible iPod variants. (Cannot be ordered in conjunction with navigation system plus). From quattro GmbH

Audi exclusive USB port: console in the glove compartment for USB sticks or MP3 player with USB extension cable; limited operation via radio or TT RS multifunction leather sports steering wheel. (Cannot be ordered in conjunction with navigation system plus). From quattro GmbH

Rod aerial (TT RS Roadster) on left rear quarter panel

Analogue/digital TV reception, reception of analogue and digital (DVB-T) unencrypted television stations (MPEG-2 standard), supports teletext and Electronic Programme Guide (EPG). Facility to connect two external AV sources via the optional adapter cable. TV reception depends on local analogue and digital network availability. No AV or TV video output whilst the car is being driven (audio output also available while the car is being driven)

Telephones and communications

Bluetooth interface, Bluetooth-compatible mobile phones can be connected to the vehicle via the interface. Hands-free calls are possible in the vehicle via the microphone.

Mobile phone fittings (Bluetooth), includes a hands-free facility and a fitting for an optional mobile-specific charger; operated via the TT RS multifunction leather sports steering wheel. Please contact your Audi partner for adapters and information about compatible mobile phones

Speech dialogue system for navigation system plus (TT RS Coupé): the basic functions of the navigation system, radio, CD player, mobile phone fittings and CD changer can be operated by voice control

Safety/technology

Suspension/brakes, assistance systems/safety, technology

Suspension/brakes

TT RS sports suspension with dynamically tuned spring/damper combination and adapted elasto-kinematics

Audi magnetic ride, adaptive damper system with individual selection of suspension settings (Normal/Sport) via sport button on the front centre console

Brakes: 18-inch high-performance braking system, diagonally split, anti-lock system (ABS) with electronic brake force distribution (EBD), hydraulic Brake Assist, adapted brake booster characteristics, composite front brake discs, ventilated and drilled, rear discs ventilated, black painted brake callipers with RS logo on front callipers

Assistance systems/safety

Airbags

Full-size airbags for driver and front-passenger, two-stage deployment, with deactivation switch for front-passenger airbag

Side airbags (head/thorax) at front, incorporated into the seat backrests (Cannot be ordered in conjunction with TT RS bucket seats)

Traction control (ASR), reduces spinning of the drive wheels by reducing the engine output – thereby improving traction and stability on the road surface

Hill hold assist, after the foot brake has been pressed for a while with the vehicle stationary, the brake pressure that has been built up is maintained for a short while after the brake is released; this automatic braking action makes hill-starts much easier and more comfortable

Parking system for the rear, makes reverse parking easier by indicating acoustically how far away the vehicle is from an obstacle; measurement is by ultrasonic sensors concealed in the bumper

Electronic differential lock EDL, on surfaces with varying levels of grip, this start-off assistant automatically brakes the drive wheels on the surface that is too slippery, thereby ensuring smooth, powerful progress

Electronic Stabilization Programme ESP, with Sport mode, can be deactivated in two stages, with hydraulic Brake Assist, improves stability in hazardous situations by targeted braking of individual wheels and intervention in the engine management system

Cruise control system, maintains any desired speed above around 30 km/h, provided engine power output and engine braking effect permit; operation via separate steering column stalk

Instrument cluster, special TT RS design with black dials, red needles and dynamic ready-check feature; with controllable lighting; coolant temperature display, rev counter with digital clock and date display, speedo-meter with disproportionate display, odometer/trip odometer, fuel gauge, warning and indicator lights, service interval display

Integral head restraint system, in the event of a rear-end collision the shape of the seat restrains the upper body and supports the head. This increases safety and reduces the danger of whiplash

Audi Space Frame (ASF) body, innovative combination of aluminium and steel materials, a high level of stiffness for better handling, greater stability and enhanced safety

ISOFIX child seat mounting, for the front-passenger seat, bracket for fastening ISOFIX child seats acc. to ISO standard

ISOFIX child seat mounting and rear bench seat with child seat group III approval (TT RS Coupé), ISOFIX child seat mounting for the two rear seats, bracket for fastening child seats in accordance with ISO standards; rear bench seat has child seat group III approval (in accordance with ECE R44)

Side impact protection, comprising bending-resistant aluminium impact bars in the doors; activation of side airbags by pressure sensors in the doors; protective side padding in the doors

Power steering, electromechanical, speed-sensitive power steering, with active reset assistance, automatic straight line running correction system, e.g. in side winds or on cambered roads; energy-saving operation, damping of road-induced interference

Seat belts, three point inertia-reel belts for all seats, with belt tensioners and belt force limiters at front

Audi exclusive seat belts. From quattro GmbH

Safety steering column, supplements the safety potential of the seat belts and airbags; with mechanical angle and axial adjustment

Door reflectors, passive, when the door is open safeguard against following traffic

Roll-over bars (TT RS Roadster) with aluminium trim on rear, round arched design, increase safety for driver and front passenger

First-aid kit in the right-hand compartment of the rear bench seat (TT RS Coupé) or the compartment between the seat backrests (TT RS Roadster)

Lights-on warning buzzer

Warning and indicator lamps, including for airbag, ABS, ESP/ASR, handbrake on, EDL electronics, alternator, lights, main beam, indicators, braking system, engine oil pressure, tailgate open, engine electrics, washer fluid, rear spoiler (if included in order)

Immobiliser, electronic, activated automatically by vehicle key

Technology

Electronic regulation of top speed to 280 km/h and Carbon design package for the engine compartment

quattro® permanent all-wheel drive for increased traction and driving safety

Manual transmission, 6-speed, all-synchromesh

Sport button, in the centre console: pressing the button changes the accelerator characteristics for a more progressive engine response, the exhaust system valve control for different sound characteristics and the damper characteristics of Audi magnetic ride (if included in order) for more a dynamic suspension setting

Model	TT RS Coupé	TT RS Roadster	
Engine type	5-cylinder inline petrol engine with direct fuel injection and exhaust gas turbocharging with charge-air cooling	5-cylinder inline petrol engine with direct fuel injection and exhaust gas turbocharging with charge-air cooling	
Displacement in cc (valves per cylinder)	2480 (4)	2480 (4)	
Max. output ¹ in kW at rpm	250/5400–6500	250/5400–6500	
Max. torque in Nm at rpm	450/1600–5300	450/1600–5300	
Power transmission/wheels			
Type of drive	quattro®	quattro®	
Transmission	6-speed manual transmission, all-synchromesh	6-speed manual transmission, all-synchromesh	
Wheels	Cast aluminium wheels, 9 J x 18	Cast aluminium wheels, 9 J x 18	
Tyres	245/40 R 18	245/40 R 18	
Weights/capacities			
Unladen weight ² in kg	1450	1510	
Gross vehicle weight in kg	1850	1830	
Roof load/tailgate load (Roadster) in kg	75	20	
Fuel tank capacity, approx. in l	60	60	
Performance/consumption³			
Top speed in km/h	250 ⁴	250 ⁴	
Acceleration 0–100 km/h in s	4.6	4.7	
Fuel grade	SuperPlus unleaded, 98 RON ⁵	SuperPlus unleaded, 98 RON ⁵	
Fuel consumption ⁶ in l/100 km	urban	13.1	13.3
	extra-urban	6.9	7.2
	combined	9.2	9.5
CO ₂ emissions ⁶ in g/km	urban	304	309
	extra-urban	161	168
	combined	214	221
Emissions standard	EU 5	EU 5	

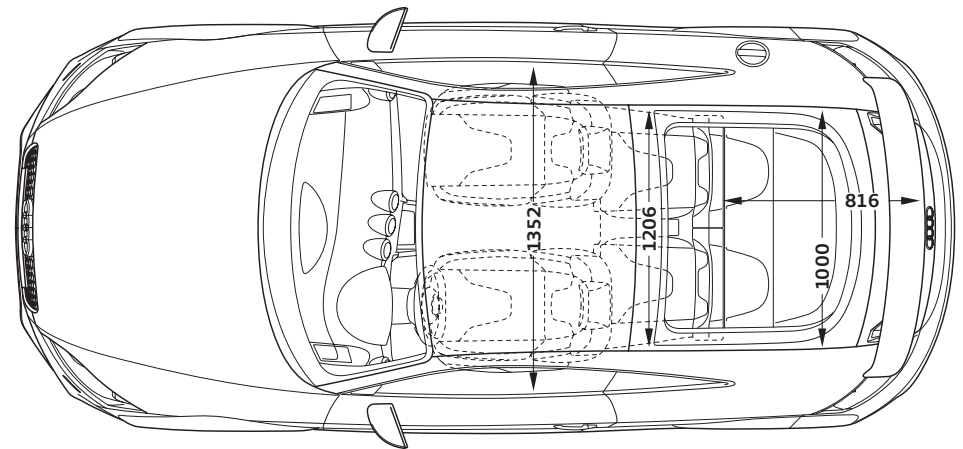
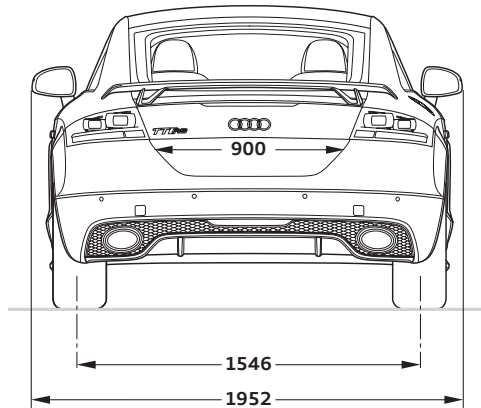
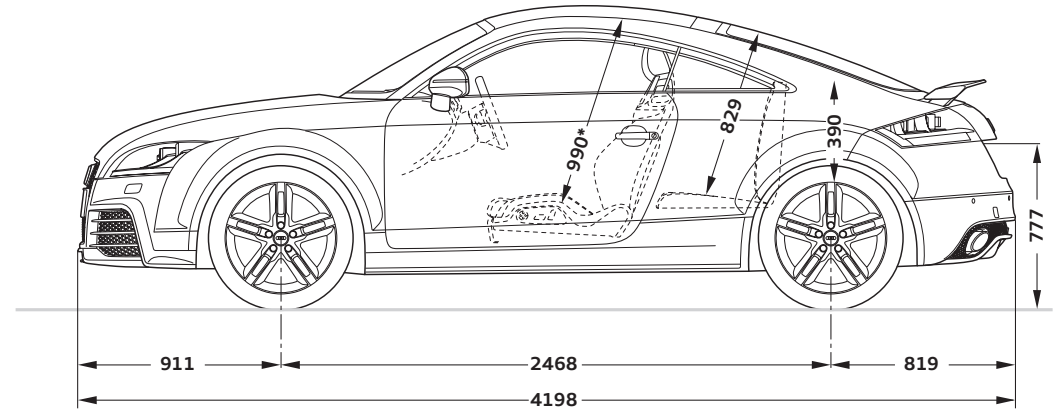
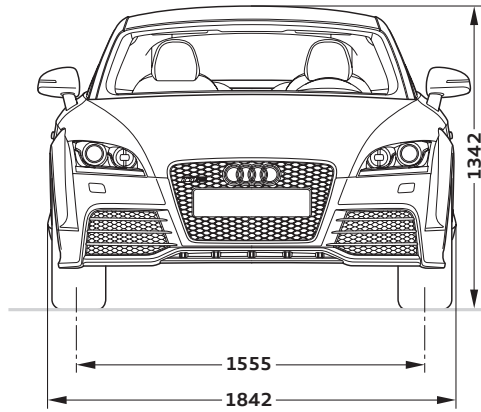
Notes

- ¹ The figure stated was calculated using the specified measuring procedure (current version of Directive 80/1269/EEC).
- ² Weight of car unladen, with fuel tank 90 % full, without driver (75 kg), calculated in accordance with EC Directive 92/21/EEC. Optional equipment may increase the car's unladen weight and drag coefficient, whereupon the possible payload limit and the top speed will be reduced accordingly.
- ³ A vehicle's fuel consumption and CO₂ emission do not just depend on how efficiently the vehicle uses the fuel but are also affected by driving behaviour and other non-technical factors. CO₂ is the greenhouse gas primarily responsible for the global warming.
- ⁴ Regulated.
- ⁵ We recommend using SuperPlus unleaded (98 RON). If this is not available, use Super unleaded (95 RON); power output will be slightly reduced.
- ⁶ The figures stated were calculated using the specified measuring procedures. The figures do not refer to one individual vehicle and do not form part of any offer, but rather should be used purely for purposes of comparison between the different vehicle models.

Important note

Inspections are due as shown by the service display.

Audi TT RS Coupé



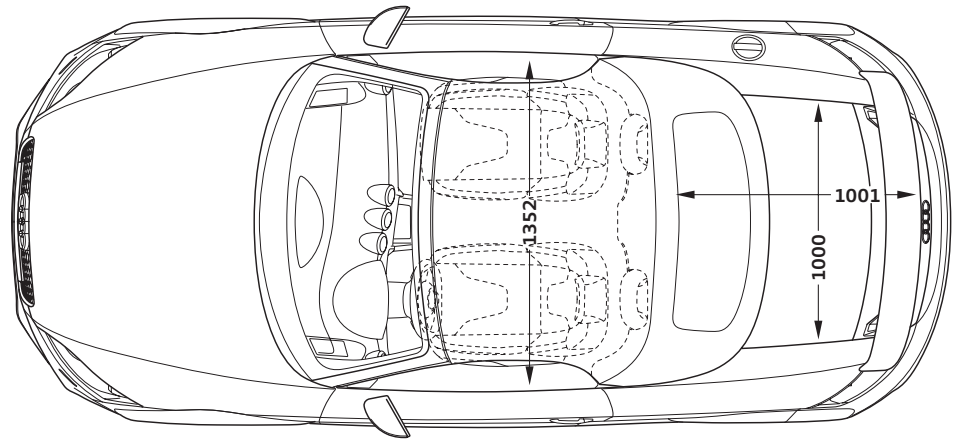
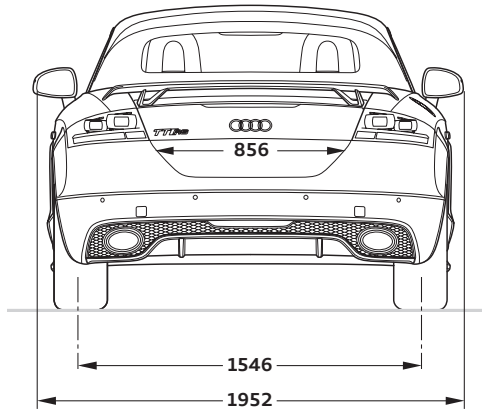
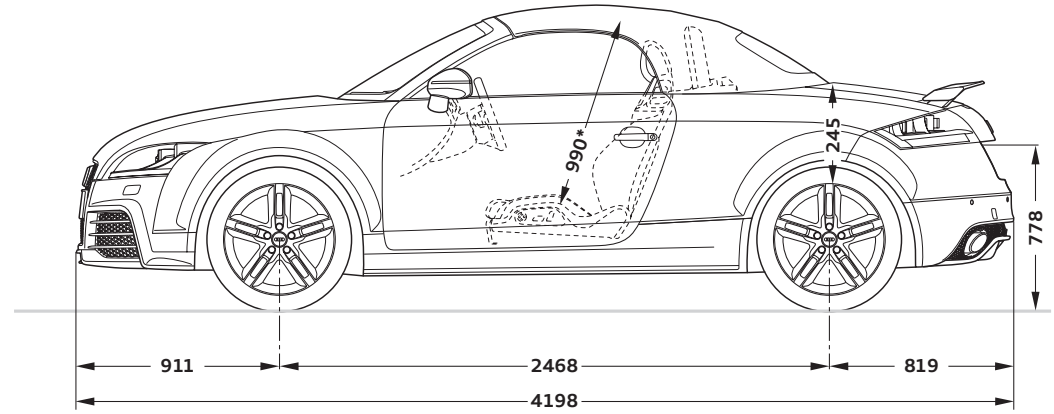
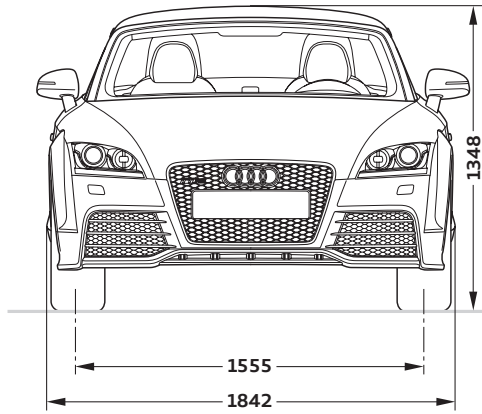
Dimensions in millimetres.

Dimensions are for vehicle at unladen weight.

Luggage compartment volume 290/700 l (measured by the VDA method using 200 x 100 x 50 mm blocks; second value is with the rear seat folded down and the vehicle loaded up to roof height). Turning circle approx. 10.96 m

*Maximum headroom.

Audi TT RS Roadster



Dimensions in millimetres.

Dimensions are for vehicle at unladen weight.

Luggage compartment volume 250 l (measured by the VDA method using 200 x 100 x 50 mm blocks).

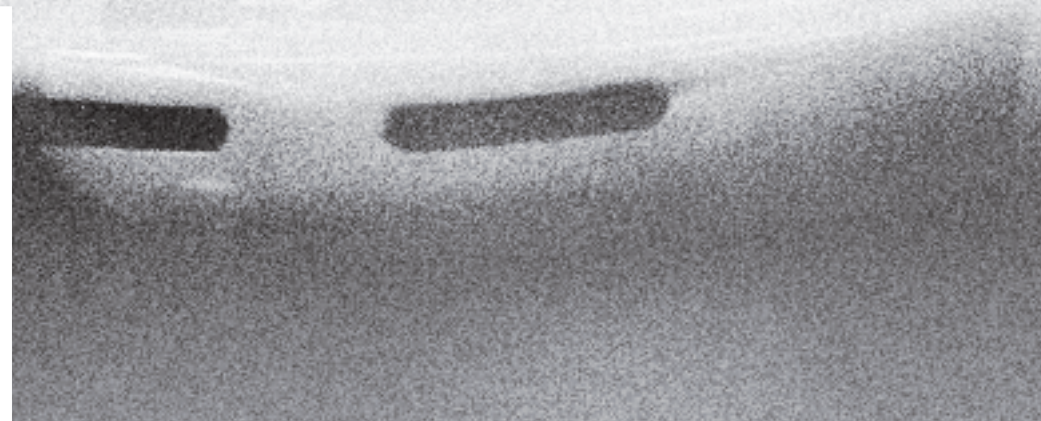
Turning circle approx. 10.96 m

*Maximum headroom.



The way to success leads from the track to the road.

Audi has a long tradition of motorsport. For a good reason. For nowhere else is Vorsprung durch Technik better demonstrated than here. Our courage and an absolute will to achieve perfection and optimum performance at the very limits have enabled us to enjoy victories right from the very start. Whether that be, for example, in rally sport, the DTM or recently, in 2008, with the diesel-powered Audi R10 TDI at the famous Le Mans 24 Hours. Successes, that you will re-encounter in every production Audi. After all, engineering developments should benefit all Audi drivers. On the track. And especially on the road.



With Audi, you get much more than just an Audi.

Anyone who chooses an Audi chooses a brand that offers its customers more. More individuality. More exclusivity. And more fascination.

Audi Configurator

Create your own personal Audi using the Audi Configurator. All current models, engines, colours and equipment options are available for you to choose from.

> www.audi.com

Audi tv

Discover whole new sides to our brand with the four rings on Audi tv: exciting reports on our models, technical innovations, fascinating events from the fields of motorsport, tradition, culture and lifestyle. Take a look behind the scenes. The latest news every day. Round the clock.

> www.audi.tv

