

SB-10046859-2207SI B11 08 12
EngineAugust 2012
Technical Service**SUBJECT****N63 Engine: Engine Oil Pump Volume Control Valve Leaking****MODEL**

F01

F02

F04

F07

F10

F12

F13

E70

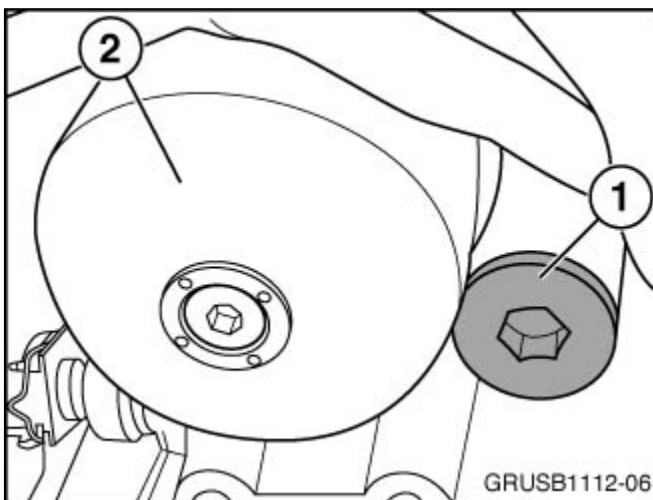
E71

SITUATION

The engine oil pump volume control valve gasket seal ring is leaking engine oil.

CAUSE

The seal ring may have been damaged during assembly.

PROCEDURE

Locate the volume control valve (1) near the engine oil filter (2). Remove the engine oil pump volume control valve (1). Replace the engine oil pump volume control valve gasket seal ring using P/N 07 11 9 963 473. Reinstall the oil pump volume control valve. Oil pump control valve torque = 100 Nm

IMPORTANT: Do not replace the engine oil pan or the engine oil pump volume control valve.

PARTS INFORMATION

Part Number	Description	Quantity
07 11 9 963 473	Gasket seal ring	1

WARRANTY INFORMATION

Covered under the terms of the BMW New Vehicle/SAV Limited Warranty.

Defect Code: **11 41 09 48 00**

Labor Operation:	Labor Allowance:	Description:
11 99 000	4	Replace oil pump volume control valve gasket seal ring (Main work)
or		
11 99 000	2	Replace oil pump volume control valve gasket seal ring (Plus work – Vehicle already in the workshop)

[Copyright © 2012 BMW of North America, LLC]