



DODGE.COM.AU

DODGE JOURNEY



MEET THE ALL-NEW DODGE JOURNEY.

It's that rare blend of value, versatility and performance that fuels this blend of confidence.

JOURNEY: REDEFINED.

Dodge engineers have redesigned Journey inside and out and gives you all the style, technology and versatility that you need without sacrificing it's identity. Journey's all-new shield and bright crosshair grille design with black mesh is the definition of bold. It's sculpted fender flares and muscular lines emphasise a sporty and athletic appearance. The all-new jeweled LED tail lamp design shows that great attention to detail radiates in every facet of Journey. It is clear that Journey is in a class of it's own. It sets a standard that others fail to meet.





Journey SXT shown in Brilliant Red



ROOM TO MOVE.

Journey's interior is beyond flexible and always compatible with your ever-changing lifestyle. With the standard seven-passenger seating, featuring a 60/40 split-fold-flat stadium-style second-row seat and a 50/50 split-fold-flat third-row seat, everyone travels in comfort. Stepping inside Journey is easy. The rear doors open 90-degrees and the standard Tilt 'n Slide™ second-row seat creates an even easier entry to the third-row seats. The standard Keyless Enter 'N Go™ automatically unlocks the vehicle when the key fob is with you and you pull up on the door handle. It also recognises when your vehicle's key fob is in the vehicle compartment and lets you start the engine

with one press of the Go button. Journey not only carries passengers in style, but also keeps the things they carry amazingly organised. An easy-to-access centre floor console features cup holders, 12-volt power outlets, remote USB port, auxiliary power outlet and out-of-view storage. Two in-floor storage bins with lids each hold up to a dozen 375 ml cans plus ice or other travel items in a removable liner. The standard Flip 'n Stow™ fold-flat front-passenger seat features a storage bin under the hinged seat cushion. When hauling gear is the priority, fold down the seats for an impressive 1,461-litres of cargo capacity.



IN-FLOOR STORAGE. Keep your items safe from prying eyes with Journey's extra storage areas.



1. LEATHER-WRAPPED STEERING WHEEL. Journey showcases an all-new three-spoke steering wheel with bold new shield and cross hair Dodge logo design. It features cruise controls at the front of the steering wheel and audio controls at the back. **2. WIDE ARM REST.** The armrest on Journey has been widened and lengthened for additional soft-touch comfort and more space to rest your forearms. **3. REDESIGNED CENTRE CONSOLE.** Journey's full-length floor centre console features two electroluminescent cup holders, Media Centre auxiliary jack and USB port, a new dual-action lid, 12V outlet and additional storage space.

Journey R/T model interior shown



STAY CONNECTED.

THIS IS UCONNECT.™ It helps you stay in touch with the people, music and devices that matter most. It acts as the hub for your most important media i.e. mobile phone and personal devices such as an iPod.® The available Uconnect user-friendly systems are designed to make your life easier, wherever you roam.



UCONNECT PHONE.⁽¹⁾ An in-vehicle, voice-activated communication system that allows you to pair up to 7 Bluetooth® compatible phones and then talk virtually hands-free. This system is also clever enough to synchronise with your phone's address book with up to 1,000 entries.



VOICE COMMAND.⁽²⁾ It simplifies driving by letting you keep your eyes on the road and your hands on the wheel. Vocally select radio stations, make and receive calls, select navigation⁽³⁾ destinations and record voice memos. This smart system technology can also be trained to better recognise your voice and can understand commands in English, Dutch, French, German, Italian and Spanish.



ENTERTAINMENT. Manage all of your media with six ways to access audio, integrated 30 GB built in hard drive, iPod® Control, Voice Command⁽¹⁾ and Bluetooth® streaming audio which allows you to play digital audio files stored in your mobile device through the vehicle's speakers.



NAVIGATION.⁽³⁾ Enjoy safe travels with GPS Navigation, providing voice guidance and visual display. It can also locate nearby petrol stations, restaurants, shopping, hospitals or points of local interest. Navigation is standard on R/T and optional on SXT.

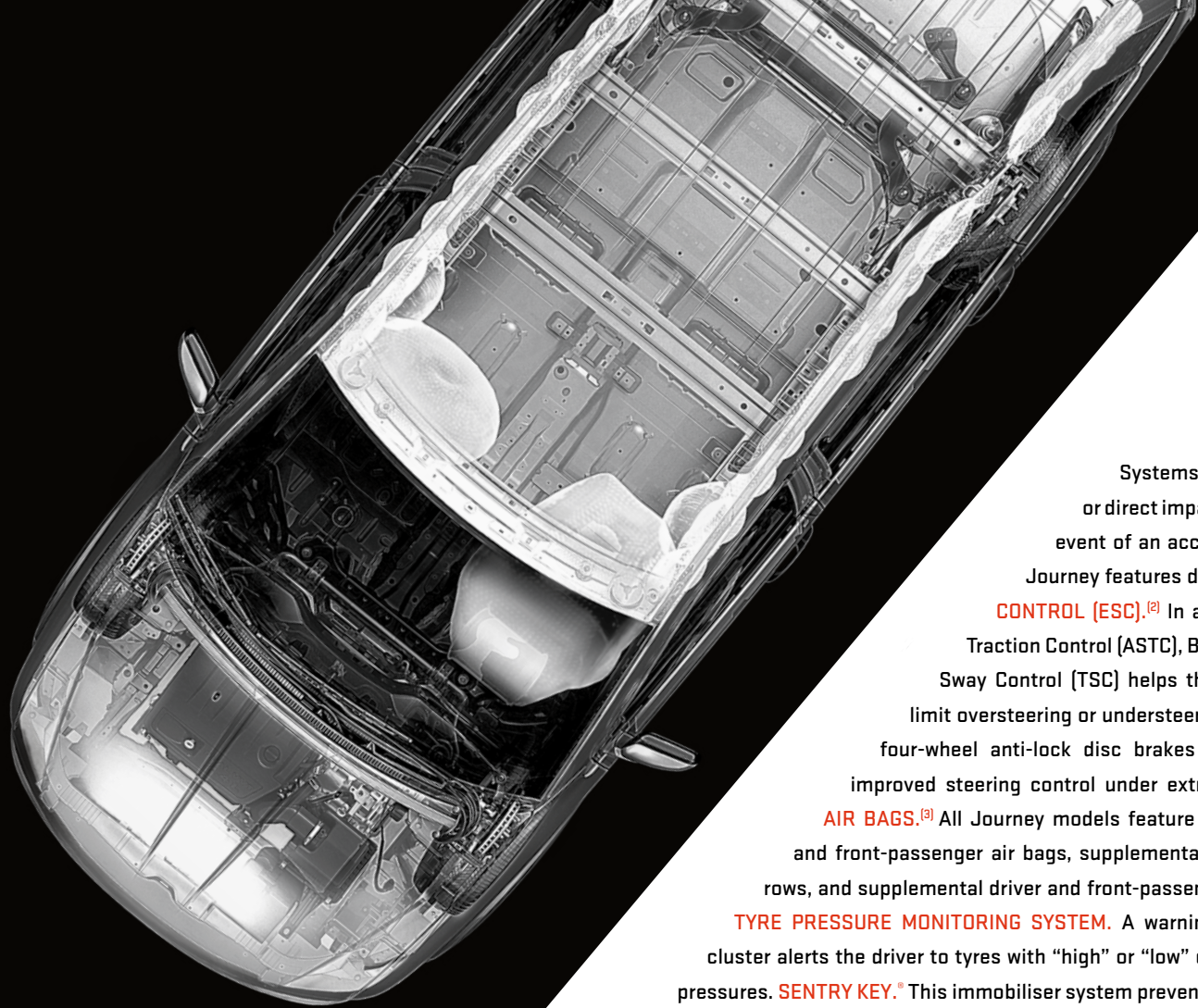
(1) Must use Bluetooth® compatible phone. See your dealer for a current list of compatible phones and any limitations your phone may have
(2) Requires Uconnect Phone. (3) Never program while driving. GPS mapping may not be detailed in all areas or reflect current road regulations. See dealer for details. Late availability on media centre shown.

POWER TO IMPRESS.

JOURNEY PERFORMANCE. From state-of-the-art aluminium block casting to full four-cam phasing to ultrafast data processing and torque based engine management, the standard all-new 3.6-litre Pentastar® V6 engine applies some of the most advanced automotive engine technology. The result is an exceptional

blend of high torque, fuel economy, low emissions, and first-rate noise, vibration and harshness control. The only thing better than numbers like 206 kW of power and 342 N.m of torque is the engine's durability enhancing features that require very low maintenance.



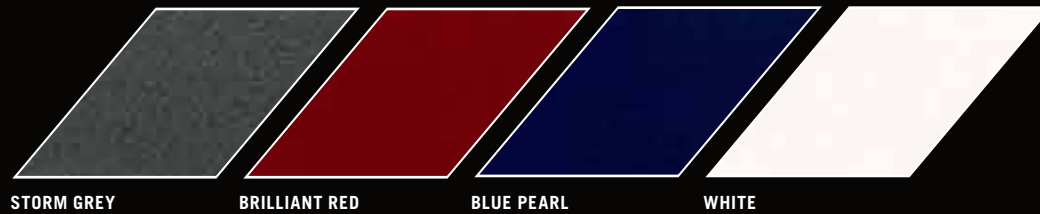


SAFETY & SECURITY.

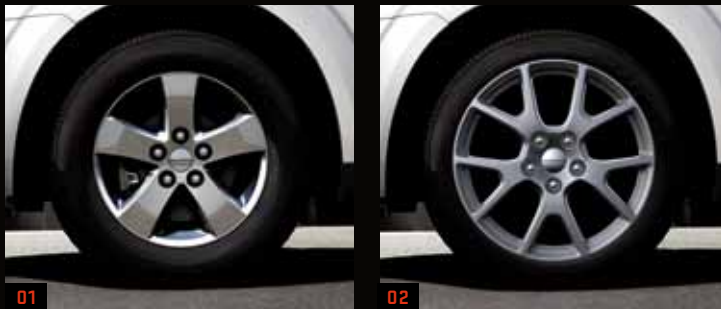
Systems like crush zones and safety-cage construction work together to absorb or direct impact energy away from the passenger compartment in the unfortunate event of an accident. For children who have outgrown aftermarket child seats, Journey features dual integrated child booster seats.⁽¹⁾ **ELECTRONIC STABILITY-CONTROL (ESC).**⁽²⁾ In adverse conditions, the system, which includes All-speed Traction Control (ASTC), Brake Assist, Electronic Roll Mitigation (ERM) and Trailer Sway Control (TSC) helps the driver maintain vehicle directional stability and limit oversteering or understeering. **ANTI-LOCK BRAKE SYSTEM (ABS).** Standard four-wheel anti-lock disc brakes sense and control wheel lockup, offering improved steering control under extreme braking and/or slippery conditions. **AIR BAGS.**⁽³⁾ All Journey models feature standard advanced multi-stage driver and front-passenger air bags, supplemental side-curtain air bags for all three rows, and supplemental driver and front-passenger seat side-mounted air bags. **TYRE PRESSURE MONITORING SYSTEM.** A warning system in the instrument cluster alerts the driver to tyres with “high” or “low” displays for individual tyre pressures. **SENTRY KEY.**[®] This immobiliser system prevents unauthorised vehicle operation by disabling the engine. Operation is automatic, regardless of whether the vehicle is locked or unlocked. **HILL START ASSIST (HSA).** Automatically applies the brakes momentarily to help prevent rollback on hills and inclines.

(1) For children 22-38 kg and up to 145cm. (2) No system, no matter how sophisticated, can repeal the laws of physics or overcome careless driving actions. Performance is limited by available traction, which snow, ice and other conditions can affect. When the ESC warning lamp flashes, the driver needs to use less throttle and adapt speed and driving behaviour to prevailing road conditions. Always drive carefully, consistent with conditions. Always wear your seat belt. (3) Always sit properly in the seat with the seat belt fastened. Always observe the passenger air bag indicator lamp to determine if the Occupant Classification System (OCS) is appropriate. Children 12 and under should always be in the backseat correctly using an infant or child restraint system or the seat belt positioned correctly for the child's age and weight.

PAINT.



WHEELS.



01. 17-inch 5 spoke aluminium wheels (standard on Journey SXT)

02. 19-inch aluminium wheels (standard on Journey R/T)

Note: Due to the printing process, the colours shown may vary slightly from actual hues.

TRIMS & FABRICS.



01. Black premium cloth seats (standard on Journey SXT)

02. Light Frost Beige premium cloth seats (optional on Journey SXT)

03. Black leather trimmed seats (standard on Journey R/T)



Genuine Dodge Accessories by Mopar give your Journey style and protection that stands out. Genuine Journey accessories shown above: **19-INCH CAST ALUMINUM WHEEL.** Machined to match your vehicle's specifications, this premium wheel features a 10-spoke design with premium painted finish and bright flange. **ROOF RACK KIT.** Includes adjustable crossbars with integrated tie-downs. Side rails permanently mount to your vehicle. Side rails and crossbars available in Black. **CHROME BODYSIDE MOLDINGS.** Add a little personality with chrome accents. Moldings sold in set of four. **CHROME FUEL FILLER DOOR.** A bright complement to any body colour. Replaces existing fuel filler door. Features easy, no-drill installation and smooth door operation. For a full list of Genuine Dodge accessories, please visit your local authorised Dodge dealer.

GENUINE DODGE ACCESSORIES.

When your Journey is outfitted with Genuine Dodge Accessories by Mopar, it's stylish, eye-catching profile becomes uniquely you. All Mopar products are specifically designed to enhance your vehicle, making it a creation of distinction and flair. When it comes to the fit, finish and functionality of accessories for your Journey, choose only those that befit a legendary brand. For a full list of Genuine Dodge accessories, please visit your local authorised Dodge dealer.



1. RUBBER SLUSH MATS. 82211505



2. DOOR SILL GUARDS. 82210810



3. SUNROOF DEFLECTOR. 82211594



4. 19-INCH CAST ALUMINIUM WHEELS. 82211727AB

GENUINE DODGE ACCESSORIES



JOURNEY TECHNICAL SPECIFICATIONS

POWERTRAIN

Engine	3.6L V6 24V VVT
Displacement (cc)	3,605
Power (kW @ rpm)	206 @ 6,350
Torque (N.m @ rpm)	342 @ 4,350
Bore x Stroke (mm)	96 x 83
Compression Ratio	10.2:1
Alternator	160-amp
Service Interval, Primary (km)	12,000
Battery	525-amp maintenance free
Fuel System	Sequential multipoint electronic fuel injection
Fuel Economy ⁽¹⁾ - Combined/Urban/Extra-Urban (L/100km)	10.4/14.8/7.8

TRANSMISSION

6 speed automatic with overdrive, adaptive electronic control, electronically modulated converter clutch.

CAPACITIES/WEIGHTS (kg unless otherwise specified)

Fuel Tank (L)	77.6
Base Kerb Weight	
3.6L V6 (SXT/RT)	1,942
Gross Vehicle Mass (GVM)	2,472

BODY/SUSPENSION/CHASSIS

Body Design

Unitised steel construction with a structural safety cage utilising advanced hot-stamped, tailor-rolled, dual-phase steel technologies and advanced joint design for added strength, reduced weight and improved Noise Vibration and - Harshness (NVH) levels

Suspension

Independent MacPherson struts with cast lower control arms, stabiliser bars and high-strength steel coil springs ____ Front
Independent rear suspension with stabiliser bar and coil-over rear shock-absorbers. _____ Rear

Steering

Firm feel rack and pinion _____ Std
Turns (lock-to-lock) _____ 2.9
Turning diameter (m) _____ 10.0

BRAKE SYSTEMS

Four Wheel Disc (Vented front/Solid rear) (mm) _____ 302/305

Electronic Stability Control (ESC)⁽²⁾

Four-channel, four-wheel anti-lock brakes with active wheel-speed, vehicle-speed, steering-wheel angle, yaw-rate and lateral-acceleration sensors, vehicle stability management with two-stage activation switch, All-Speed Traction Control (ASTC), Brake Assist, Electronic Roll Mitigation (ERM) and Trailer Sway Control (TSC)

INTERIOR DIMENSIONS (mm unless otherwise specified)

Head Room, first/second/third row	1,037/995/958
Leg Room, first/second/third row	1,036/854/596
Shoulder Room, first/second/third row	1,460/1,448/1,237
Hip Room, first/second/third row	1,368/1,379/1,016
Cargo Volume (L), all seats in place (top of headrest)	167
Second and third row folded	1,461
Seating Capacity	7 Adults

EXTERIOR DIMENSIONS (mm unless otherwise specified)

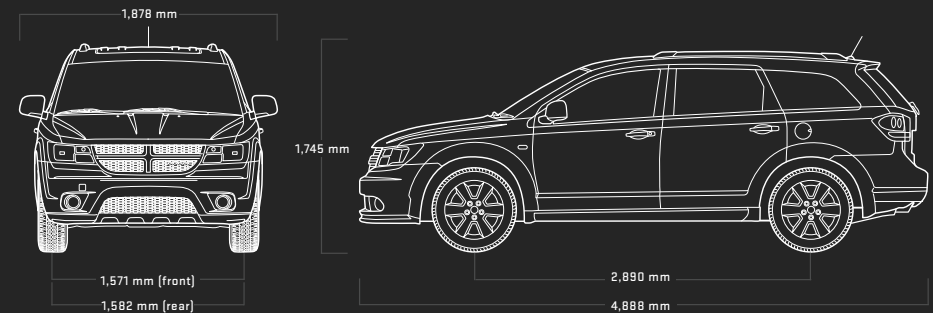
Length

Wheelbase	2,890
Overall Length	4,888
Overhang, front/rear	989/1,009

Width

Body width	1,878
Track, front/rear	1,571/1,582

Height (including roof rails) _____ 1,745



(1) Fuel economy figures are in accordance with ADR 81/02

(2) No system, no matter how sophisticated, can repeal the laws of physics or overcome careless driving actions. Performance is limited by available traction, which snow, ice and other conditions can affect. When the ESC warning lamp flashes, the driver needs to use less throttle and adapt speed and driving behaviour to prevailing road conditions. Always drive carefully, consistent with conditions. Always wear your seat belt.

(3) Contact your local dealer for specific tow ratings

FEATURES & OPTIONS

	SXT	R/T		SXT	R/T
ENGINE					
Powertrain	3.6L V6 24V VVT engine, 6-speed automatic transmission with Auto-Stick manual shift mode		•	•	
EXTERIOR					
Accents	Body-colour door handles and black side roof rails		•		
	Bright door handles, side roof rails and dual exhaust tips			•	
Glass	Deep tint sunscreen glass		•	•	
Lighting	Quad RHD Optic headlamps with levelling system		•	•	
	Front and rear fog lamps		•	•	
Mirrors	Power heated foldway		SXT	•	
Sunroof	Power with express open/close			•	
Tyres	225/65R17 BSW touring tyre		•		
	225/55R19 BSW AS Touring Tyres			•	
Wheels	17-inch cast aluminium		•		
	19-inch aluminium			•	
Wiper System	Front; Variable intermittent windshield wipers		•	•	
	Rear; Window wiper/washer		•	•	
INTERIOR					
Accents	Door sill scuff pads		•		
	Highline door trim panel		•		
	Premium door trim panel			•	
Air Conditioning	Three-zone Automatic Temperature Control (ATC) with air filtration		•	•	
Cargo Area	Carpeted folding rear seatbacks and floor, cargo cover, storage bin and cargo tie-down loops		•	•	
Console	Overhead front with two aimable LED lamps		•	•	
	Full length front floor console with armrest, illuminated cup holders, leather-wrapped shift knob		•	•	
Cruise Control	Electronic, with steering wheel mounted controls		•	•	
Electronic Vehicle Information Centre (EVIC)	Includes temperature and compass gauge; traveller/mini-trip computer; Tyre Pressure Monitoring (TPM) display		•	•	
Latch	Lower anchors and tether for child seats		•	•	
Lighting	Instrument panel courtesy, cargo compartment, map/dome reading and rear dome lamps		•	•	
	Front and rear swivelling LED lamps		•	•	
	Driver and front-passenger footwell LED lamps		•	•	
	Removable, rechargeable torch located in cargo area		•	•	
Mirrors	Auto-dimming rearview with microphone		•	•	
	Interior conversation mirror		•	•	
Power Outlets	12-volt auxiliary in instrument panel and centre console and 12-volt front and rear		•	•	
Seating Fabric	Premium cloth low-back bucket seats		•	•	
	Leather Vinyl Trim seat fabric			•	
INTERIOR (CONTINUED)					
Seating - Front	Heated front seats			•	
	6-way driver power seat adjustment and 4-way power lumbar adjustment		•	•	
	Low-back reclining front buckets with front passenger forward fold-flat seat		•	•	
Seating - Second Row	Easy entry 60/40 Tilt 'n Slide™ seat with recline		•	•	
	Second-row seat with two child boosters		•	•	
Seating - Third Row	50/50 fold-flat seat with recline		•	•	
Steering Column	Tilt/telescopic steering column		•	•	
Steering Wheel	Leather-wrapped steering wheel with audio controls		•	•	
Storage	Front-passenger Flip 'n Stow™ in-seat storage		•	•	
	Second-row in-floor storage bin with latchable lids and removable liners		•	•	
	In-floor storage in cargo area		•	•	
Windows	Power with driver one-touch auto-down		•	•	
SAFETY AND SECURITY					
Active Head Restraints	Driver and front-passenger		•	•	
Air Bags⁽¹⁾	Next generation driver and front-passenger		•	•	
	Supplemental side curtains for all rows		•	•	
	Supplemental driver and front-passenger seat-mounted side air bags		•	•	
Brakes	4-wheel disc anti-lock brake system (ABS)		•	•	
Electronic Stability Control (ESC)⁽²⁾	Includes Brake Assist, All-Speed Traction Control (ASTC), Electronic Roll Mitigation (ERM) and Trailer Sway Control (TSC)		•	•	
ParkView® Reversing Camera⁽³⁾	(Late availability on SXT)		•	•	
Power Door Locks	Speed-sensitive		•	•	
Keyless Enter-N-Go	Push-button ignition system with proximity entry		•	•	
Security Alarm	Monitors doors, flipper glass and liftgate; includes Sentry Key engine immobiliser		•	•	
Tyre Pressure Monitoring Display System			•	•	
UCONNECT MULTIMEDIA					
Audio System	6 speakers		•		
	Premium Audio System with 6 speakers, subwoofer with 368-watts amplifier		○	•	
Media Centre Radios	Uconnect Touch 4.3 CD/MP3 radio with 4.3-inch touch screen and audio jack and remote USB port		•		
	Uconnect Touch 8.4 CD/DVD/MP3 radio with 8.4-inch touch screen, audio jack and remote USB port (packaged in Safe and Sound Group) (Late availability)		•		
	Uconnect Touch 8.4N CD/DVD/MP3/NAV ⁽⁴⁾ radio with 8.4-inch touch screen, audio jack and remote USB port and SD card slot (packaged in Navigation and Sound Group)		○	•	
Uconnect Phone⁽⁵⁾	Hands-free communication system with Address Sync, Bluetooth and Voice Command ⁽⁶⁾		•	•	
PACKAGES					
Rear Seat Video Group I	Second row overhead 9-inch video screen, video remote control and wireless headphones		○	•	

• = Standard ○ = Optional

(1) Always sit properly in the seat with the seat belt fastened. Always observe the passenger air bag indicator lamp to determine if the Occupant Classification System (OCS) is appropriate. Children 12 and under should always be in the backseat correctly using an infant or child restraint system or the seat belt positioned correctly for the child's age and weight. (2) No system, no matter how sophisticated, can repeal the laws of physics or overcome careless driving actions. Performance is limited by available traction control, which snow, ice and other conditions can affect. When the ESC warning lamp flashes, the driver needs to use less throttle and adapt speed and driving behaviour to prevailing road conditions. Always drive carefully, consistent with conditions. Always wear your seat belt. (3) Always check entire surroundings before reversing. (4) Never program while driving. GPS mapping may not be detailed in all areas or reflect current road regulations. See dealer for details. (5) Must use Bluetooth® compatible phone. (6) Requires Uconnect Phone.

Journey



DODGE

dodge.com.au

All product illustrations and specifications are based upon current information at the time of publication approval. Although descriptions are believed correct, accuracy cannot be guaranteed. Chrysler Group LLC reserves the right to make changes from time to time, without notice or obligation, in prices, specifications, colours, materials and to change or discontinue models. See your dealer for details. Dodge, Journey, Mopar, Sentry Key and the Dodge Grille are registered trademarks and Uconnect is a trademark of Chrysler Group LLC. Boston Acoustics is a registered trademark of Boston Acoustics, Bluetooth is a registered trademark of Bluetooth SIG, Inc. iPod is a registered trademark of Apple, Inc. All rights reserved.