



2007MY DODGE NITRO



All-New for Dodge Nitro

- Standard performance suspension
- 16" or 20" alloy wheels
- Available LOAD 'N GO™ slide-out rear cargo floor
- Standard fold-flat and recline front-passenger and rear seats
- Available MyGIG™ Multimedia Infotainment System with AM/FM radio, Satellite Navigation Global Positioning System, MP3/DVD capability and 20GB hard drive. Late availability (SXT).
- 2 engine choices: 2.8L CRD Turbo Diesel and 3.7L SOHC V6
- 2 transmission choices: 4-speed automatic VLP or 5-speed automatic
- Standard Electronic Stability Programme* with All-Speed Traction Control, Brake Assist and Electronic Roll Mitigation (ERM)
- Standard Next Generation multistage front air bags† and supplemental side-curtain air bags† with roll sensing technology
- Standard ParkSense® Rear Park Assist System‡
- Standard Tyre Pressure Monitoring Display or Warning Lamp (depending on model)
- Available 2-tone fabrics
- YES Essentials® seat fabric§ (SXT)
- Electronic Vehicle Information Centre (EVIC) (SXT)
- Standard 4-wheel disc brakes with ABS
- Available Power sunroof

*Always drive carefully, consistent with conditions. Always wear your seat belt and obey traffic laws.

† Always sit properly in the seat with the seat belt fastened.

‡ Always check surroundings before backing up.

§ Not compatible with aftermarket fabric-protecting coatings.



DODGE



SAFETY/SECURITY



→ **ELECTRONIC STABILITY PROGRAMME (ESP)* WITH BRAKE ASSIST, ALL-SPEED TRACTION CONTROL AND ELECTRONIC ROLL MITIGATION**

- Extra driver confidence from enhanced control
- Leading-edge technology delivers added stability

→ **4-WHEEL DISC ABS**

- Plenty of stopping power and added control



→ **TYRE PRESSURE MONITORING DISPLAY**

- Helps improve overall ride and the life of tyres (SXT)

→ **NEXT GENERATION MULTISTAGE DRIVER AND FRONT-PASSENGER AIR BAGS†**

- Delivers precise air bag deployment

→ **SUPPLEMENTAL SIDE-CURTAIN AIR BAGS† WITH ROLL-SENSING TECHNOLOGY**

- Roll-Sensing Technology allows air bags to provide coverage for an extended period of time (5 seconds) in a roll situation



UTILITY



→ **AVAILABLE LOAD 'N GO™ SLIDE-OUT REAR CARGO FLOOR**

- Holds up to 181 kg
- Conveniently slides out for easy cargo loading/unloading

→ **FOLD-FLAT FRONT-PASSENGER SEAT AND RECLINING 65/35 SPLIT-FOLDING, FOLD-FLAT REAR SEAT**

- Flexible cargo and passenger capabilities



→ **FULL-LENGTH CENTRE CONSOLE INCLUDES CUP HOLDERS, A PADDED ARMREST AND COVERED STORAGE**

→ **ALL SOUND SYSTEMS FEATURE MP3/DVD COMPATIBILITY**

- With multiple MP3/DVD discs, you can take thousands of tunes on the road

→ **ADVANCED TECHNOLOGIES (IN-CLUSTER ELECTRONIC VEHICLE INFORMATION SYSTEM (EVIC)) (SXT)**



VALUE



→ **DURABILITY-TESTED 240,000 CUSTOMER-EQUIVALENT KILOMETRES**

- Proven Dodge dependability

→ **YES ESSENTIALS®* STAIN RESISTANT, ODOUR RESISTANT, ANTISTATIC SEAT FABRIC (SXT)**

- Helps keep your vehicle looking great for years to come

→ **REAR CARGO COVER**

- Keeps valuables in the cargo area out of sight for added security

→ **REAR CARGO TIE-DOWNS**

- 6 tie-downs in the cargo area help keep cargo secure



PERFORMANCE



- **AVAILABLE 2.8L CRD TURBO DIESEL ENGINE**
 - Delivers excellent overall performance and economy
 - Matched to a 5-speed automatic transmission
- **AVAILABLE 3.7L SOHC V6 PETROL ENGINE**
 - Competitive peak power and torque with smooth, quiet operation
 - Matched to a 4-speed automatic transmission with variable line pressure
- **PART-TIME 4WD SYSTEM**
 - For added traction in adverse conditions
- **SUSPENSION — ALL-NEW SHORT/LONG ARM INDEPENDENT FRONT AND 5-LINK LIVE AXLE REAR**
 - Delivers outstanding handling capabilities



STYLE



- **UNMISTAKABLY DODGE — BRAWNY LOOKS, BOLD CROSSHAIR GRILLE AND POWERFUL STANCE**
 - An undeniable “muscle SUV” statement
 - Screams Dodge performance
- **2 DISTINCT MODELS — SX AND SXT**
 - A Dodge Nitro model to suit virtually any taste — or budget
- **16" OR 20" ALLOY WHEELS**
 - Complement Dodge Nitro’s unique appearance
 - Large wheels for optimum ride and handling accompanied by a tough, aggressive and masculine appearance
- **AVAILABLE POWER SUNROOF WITH VENT, TILT AND SLIDE FEATURES, AND HANDY 1-TOUCH OPERATION**
 - Features convenient express 1-touch switch for opening and closing
 - Factory installation ensures optimum fit, finish and function

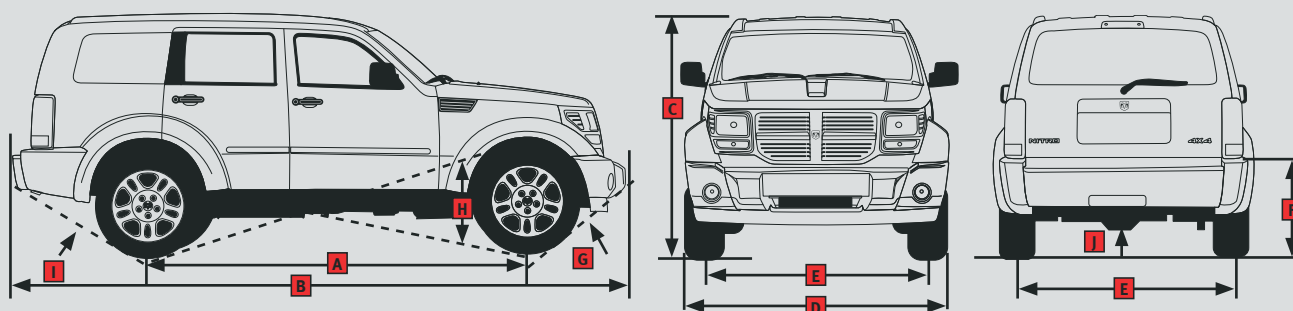


DODGE NITRO

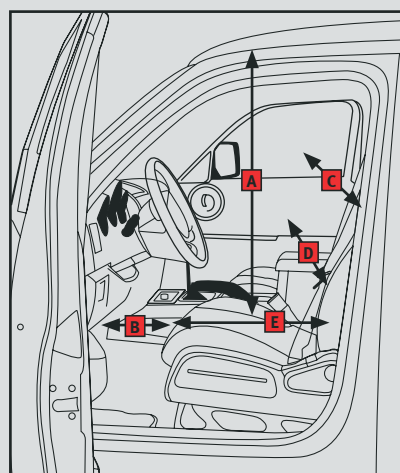
DIMENSIONS – EXTERIOR/INTERIOR

	SX	SXT
Tyre Sizes	P235/70R16	P245/50R20
A Wheelbase	2763	
B Overall length	4584	
C Overall height/with roof rack	1755/1773	
D Overall width/with side steps	1856/1916	
E Track – Front/Rear	1549/1549	
F Cargo load floor height (mm)	84	
G Approach angle (degrees)	17.0	
H Breakover angle (degrees)	20.0	
I Departure angle (degrees)	34.0	
J Ground Clearance – Front/Rear	220 / 210	
K Water Fording	482.6 mm @ 8 kph	

Note: All dimensions in millimetres unless otherwise noted.
G, H, I, J & K = 3.7L V6 specifications



A	Front row	
	– Head room	1025
B	– Leg room	1036
C	– Shoulder room	1443
D	– Hip room	1338
E	– Seat adjustment (fore and aft)	NA
A	Second row	
	– Head room	1019
B	– Leg room	984
C	– Shoulder room	1436
D	– Hip room	1229
	Cargo Volume (L)	
	– Rear seat up (below head rest)	389
	– Rear seat up to headliner	832
	– Rear seat down to headliner	1994
	Towing Capacity – 2.8L & 3.7L V6	
	– braked with weight distributing hitch	2270
	– braked without weight distributing hitch	1600
	– Tongue weight with device	227kg
	– Tongue weight without device	160kg



	2.8L CRD Turbo Diesel	3.7L V6 engine
Base kerb weight (kg)		
– SX	1940	1875
– SXT	1995	1970
Gross Vehicle Weight Rating (GVWR) (kg)	2520	2540

Note: All dimensions in millimetres unless otherwise noted.

DODGE NITRO

SPECIFICATIONS/DIMENSIONS

Powertrains			DODGE NITRO	
Engine	Type	Axle Ratio	SX	SXT
2.8L CRD	I-4	3.21	26B	26F
3.7L V6	90° V6	3.73	24B	24F

Engines	2.8L CRD	3.7L SOHC V6
– Displacement (cc)	2768	3700
– Bore and Stroke	94 x 100mm	93 x 90.8
– Compression Ratio	17.5:1	9.7:1
– DOHC / SOHC	Belt-driven DOHC 16 Valves and Cam	Chain-driven SOHC 12 Valves and Cam
– Fuel Delivery System	Generation III common-rail direct electronic (1600 bar)	Sequential, multiport, returnless electronic
– Maximum Engine Speed (rpm)	4,300	6,000
– kW @ rpm	130 @ 3,800	151 @ 5,200
– Torque Nm @ rpm	460 @ 2,000	314 @ 4,000
– Standard transmission	5-speed automatic	4-speed automatic with Variable Line Pressure (VLP)
Transfer case – Standard	MP143	
Fuel tank capacity litres	70L	73.8
Steering type	Rack-and-Pinion	
Turning diameter metres kerb-to-kerb	11.1	
Tyres – Standard SX	P235/70R16	
– Standard SXT	P245/50R20	
Wheels – Standard (diameter x width) SX	16x7.0	
– Standard (diameter x width) SXT	20x7.5	
Fuel Consumption (L/100 km, EU standard)		
Urban cycle	12.2	17.5
Extra-urban cycle	7.8	9.0
Combined cycle	9.4	12.1
CO2 (g/km)	250	288
Performance		
Acceleration (0-100 km/h; sec.)	10.5	10.3
Maximum Speed (km/h)	182	190
Drag Coefficient	0.381	0.390
Gear Ratio – 1st	3.59	2.84
– 2nd	2.19	1.57
– 3rd	1.41	1.00
– 4th	1.00	0.69
– 5th	0.83	–
– Reverse	3.16	2.21
– Final Drive	2.66	2.57

DODGE NITRO

COLOUR AVAILABILITY

Exterior Colours	INTERIOR COLOURS			
	SX	SXT	SX	SXT
	Slate Grey		Khaki	
Black	X	X	X	X
Bright Silver Metallic	X	X		
Electric Blue Pearl	X	X		
Inferno Red Crystal Pearl	X	X	X	X
Light Khaki Metallic			X	X
Stone White	X	X	X	X
Sunburst Orange Pearl	X	X	X	X

*Khaki trim irrevocable order

STANDARD & OPTIONAL FEATURES

	SX	SXT
Engine/Transmission		
2.8L I-4 CRD/5-speed Automatic	26B	26F
3.7L SOHC V6/4-speed Automatic Variable line pressure (VLP)	24B	24F
Features, Options & Package Groups		
Air Bags*		
– Next Generation multistage front air bags	●	●
– Supplemental side-curtain air bags with roll sensing technology offer additional protection to front and rear outboard occupants in the event of a collision	●	●
Air Conditioning – Manual temperature control	●	●
Axle – Front, 30/186 mm	●	●
Axle Ratio		
– 3.21:1 (included with 2.8L CRD)	P	P
– 3.73:1 (included with 4-speed automatic)	●	●
Battery – 600-amp, maintenance-free with Battery-Saver Feature (included with 3.7L V6) 800-amp (2.8L CRD)	P	P
Brake-Park Interlock – Cannot shift out of Park unless brake pedal is applied (automatic transmission)	P	P
Brake System – 4-wheel disc brakes with ABS	●	●
Child Seat Anchor System (ISOFIX/LATCH) – Lower child seat anchors and upper tether anchors help ease the installation of compatible aftermarket child seats	●	●
Console		
– Overhead		●
– Full-length floor console includes removable cup holders, padded armrest and covered storage bin with provisions for CD and cassette storage	●	●
Convenience Group – Includes fog lamps, AM/FM MP3/DVD 6-disc radio, 16" Alloy wheels and Rear Park Assist	●	
Defroster – Rear window	●	●
Cruise Control	●	●
Door Locks – Child-protection rear	●	●
Door Trim Panel		
– Monotone	●	
– Two-tone		●

*Always sit properly in the seat with the seat belt fastened.

† Always drive carefully, consistent with conditions. Always wear your seat belt and obey traffic laws.

DODGE NITRO

STANDARD & OPTIONAL FEATURES

Features, Options & Package Groups	SX	SXT
Electronic Stability Programme[†] – ESP (includes all-speed traction control, Brake Assist & ERM)	●	●
Electronic Vehicle Information Centre (EVIC)		●
Fascias – Front and rear, body-colour		●
– Front and rear, Dark Slate Grey	●	
Fender Flares – Body-colour		●
– Dark Slate Grey	●	
Floor Mats – Front and rear	●	●
Fog Lamps – 2 integrated in front fascia (included with Convenience Group)	●	●
Fuel Tank – 70 litres (2.8L CRD) 73.8 litres (3.7L V6), with tethered cap	●	●
Glass – Deep-tint sunscreen side and rear	0	●
– Solar-Control	●	●
– Tinted windshield	●	●
Grille – Bright front	●	●
Heat Outlets – Rear-seat floor-mounted	●	●
Illuminated Entry	●	●
Instrument Cluster – Includes speedometer, tachometer, oil temperature and fuel gauge	●	
– Includes speedometer, tachometer, oil temperature and fuel gauge with display screen		●
Instrument Panel – Monotone	●	
– 2-tone		●
License Plate Brow – Black	●	
– Bright		●
Lighting Exterior – Halogen headlamps	●	●
Interior – Map/dome reading	●	●
– Courtesy	●	●
– Rear dome lamp	●	●
Locks – Speed-sensitive power	●	●
Luxury Group – Includes Leather-trimmed heated front seats and Power Sunroof		0
Mirrors Exterior – Dual heated power foldaway	●	●
Interior – Rearview day/night	●	
– Rearview auto-dimming		●
Moulding – Black bodyside	●	
– Body-colour bodyside		●
ParkSense[®] – Rear Park Assist [‡]	●	●

[‡] Always check entire surroundings before backing up.

DODGE NITRO

STANDARD & OPTIONAL FEATURES

	SX	SXT
Features, Options & Package Groups		
Power Accessory		
– Instrument panel 12-volt auxiliary	●	●
– Rear cargo area 12-volt auxiliary	●	●
Premium Security Alarm – Integrated vehicle alarm system (included with Luxury Group)		O/P
Radio		
– AM/FM stereo radio and integrated 6-disc CD changer with MP3/DVD capability and auxiliary audio jack (included with Convenience Group)	●	●
– MyGIG™ Multimedia Infotainment System includes AM/FM stereo radio and Satellite Navigation Global Positioning System with MP3/DVD capability and 20GB HDD		O
Rear Cargo		
– 6 tie-downs	●	●
– LOAD 'N GO™ slide-out system		●
Rear Cargo Cover	●	●
Remote Audio Controls		●
Remote Keyless Entry – With an integrated ignition key	●	●
Rocker Sills – Black	●	●
Roof Side Rails – Black	●	●
Running Boards – Black		O
Seat Belts – Soft-edged webbing with front constant-force retractors and pre-tensioners, height-adjustable turning loops, traveling inboard buckles and passenger-side automatic latching retractor; rear with 3-point shoulder belts at all 3 seating positions	●	●
Seats		
– Front-passenger forward fold-flat	●	●
– Low-back cloth bucket	●	
– Premium low-back cloth bucket with YES Essentials® seat fabric [§]		●
– Low-back leather-trimmed heated/ bucket seats (included with Luxury Group)		P
– Manually adjustable	●	
– Power 6-way driver's		●
– Rear 65/35 split folding with recline	●	●
Security Alarm – Integrated vehicle alarm system	●	●
Sentry Key® – Antitheft engine immobiliser	●	●
Smoker's Group – Includes removable ashtray and cigarette lighter	●	●
Speakers		
– 6 total	●	
– Premium Sound System with 9 total speakers including a subwoofer and 368 watts of power		●
Steering Wheel		
– 4-spoke	●	
– Leather-wrapped 4-spoke		●
Sun Visors		
– Dual with illuminated vanity mirror and slide feature	●	●
Sunroof – Power with vent, tilt and slide feature, one-touch operation (included in Luxury Group)		O/P
Suspension – Performance	●	●

[§] Not compatible with aftermarket fabric-protecting coatings.

2007 DODGE NITRO

STANDARD & OPTIONAL FEATURES

	SX	SXT
Features, Options & Package Groups		
Tilt Steering	●	●
Transfer Case — Part-time 4WD system	●	●
Tyre Pressure Monitoring Display		●
Tyre Pressure Monitoring Warning Lamp	●	
Tyres		
— P235/70R16 black sidewall, all-season	●	
— 245/50R20 black sidewall, all-season		●
— Spare, full-size steel wheel	●	●
— Jack and tyre-changing tools stored under rear-passenger seat in removable carrier	●	●
Wheels		
— 16" x 6.5" Alloy wheel (included with Convenience Group)	●	
— 20" x 7.5" Platinum-clad Alloy wheel		●
Windows		
— Power, front, 1-touch up and down	●	●
Windshield Wipers		
— Front variable intermittent	●	●
— Rear wiper/washer	●	●



AVAILABLE REVERSIBLE CARGO FLOOR WITH MOULDED TRAY



AVAILABLE LOAD 'N GO SLIDE- OUT REAR CARGO SYSTEM