



Falcon Ute



At Ford, with such a long and successful motoring heritage behind us, we understand that everyone's lifestyle is different. What you look for in a vehicle will be different from the next person. It could be a vehicle that allows you to fit in all the family and hit the open road for the weekend, a zippy urban car that's perfect for tackling city traffic, or maybe you need a vehicle that allows you to play as hard as you work. We'd like to think that our family of vehicles is proof that Ford never stops looking forward, designing and engineering vehicles that catch your eye, are technologically advanced, consider the environment and help keep you safe. In short, no matter what your lifestyle, you're sure to find a Ford that can help you live more of your life.



**Irresistible Design:**

Because everyone's idea of the perfect car is different, Ford have designed and engineered a family of exciting, athletic and sleek vehicles that look great inside and out.



**Great to sit in, great to drive:**

There's nothing quite like driving a Ford. That's because every Ford is built from the ground up to be exhilarating to drive, with high levels of interior comfort along with the very latest safety systems that help keep you in control and protect you and your passengers.



**Sustainability:**

Ford recognises that climate change is a significant global challenge. We have an ongoing commitment to caring for the environment in every facet of our business, including delivering alternative fuel solutions such as diesel and LPG.



**Innovation and Technology:**

Thinking smarter means a comfortable, safe and enjoyable drive every time you turn the key. Our innovative solutions to everyday tasks using the latest technology save you time and connect you to the digital world.



**Built to Last:**

Every Ford is built not just for today but for tomorrow as well. So, when you buy a Ford you enjoy the type of quality that you can rely on, day in day out. Not just the look and feel, but the way it performs and the way it lasts.



When it comes to getting the job done, the all new Falcon Ute really delivers. With the availability of cab chassis and a one tonne payload, plus a choice of powerful, torquey, technologically advanced engines, including the ultra-economical E-Gas engine, Falcon Ute has the brute strength and power to tackle just about any job going. And with car-like comfort and handling, along with a host of the latest technology on board, working conditions have never been better.



# Work hard



Falcon XR6 Cab Chassis shown with optional aluminium tray.

WORK HARD

**A real workhorse.**

**Well equipped to tackle hefty payloads and able to tow serious weight, you can rely on the Falcon Ute to get your job done.**

Regardless of whether you're loading up the tools or towing the boat, the Falcon Ute has true workhorse ability. There are payloads of up to 1.2 tonnes\* available and towing capacity up to a massive ,2300kg<sup>#</sup>. The availability of a Cab Chassis provides the versatility and flexibility to create a unique solution for your business needs, including the option of a factory fitted aluminium tray. Alternatively, the Styleside Box has a tough, fully integrated bedliner to protect your work equipment against daily wear and tear.



**Flush-fit soft tonneau cover.**

The new flush-fit soft tonneau cover is stylish and flexible enough to handle a range of load types, including the ability to fit the tonneau cover securely over high loads.

\* Falcon Ute and R6 Cab Chassis models and XR6 Cab Chassis model with optional one tonne suspension only.

<sup>#</sup> Braked towing capacity of vehicles with optional automatic transmission, when fitted with Genuine Ford heavy duty towpack including load levelling kit. Subject to State and Territory regulations.



## INTERIOR

### Five-star comfort.

The all-new interior provides you with a comfortable and a more involving drive, so you'll find that after a long day on the job, getting behind the wheel is something to look forward to.

After a long day on the job, sit back in the 4-way power adjustable driver's seat and enjoy the engaging drive or simply relax in the peace and quiet of the newly designed interior. The spacious new cabin in the Falcon Ute not only maximises space and comfort but the cockpit-like design surrounds you and allows you to really get involved the moment you turn the key.



### Supercab design.

The generous space behind the seats provides real storage for your toolboxes and other work gear.



### Optional 3 across seating.

Complete with centre head restraint, the three across seating with column shift auto provides extra passenger capacity when needed.\*

\*Only available on Falcon Ute model.



## INTERIOR

### Car-like features.

**With such an impressive list of car-like features, the Falcon Ute puts you comfortably in control.**

While the Falcon Ute is more than capable of getting the job done, there is a real car-like feel to the interior and the way it drives, so getting to and from work is more comfortable than ever. The eye-catching, modern instrument panel and centre console puts all of the controls at your fingertips for greater convenience and ease of use, meaning less time with your eyes off the road.



### Automatic climate control.

You will enjoy perfect working conditions whenever you get behind the wheel.\*

\*Optional on Falcon Ute and R6 models.



**The latest technology.**

Whether it's travelling to the worksite or cruising on a weekend, on-board technology makes your journey more enjoyable.

Get behind the wheel of the new Falcon Ute and you will feel like some of the very latest technology is at your disposal. And it is. From the hands-free convenience of optional Bluetooth\*\* with steering wheel mounted controls, to the high-resolution graphics of the optional satellite navigation system, the technology in the Falcon Ute makes work and play so much easier.



**Multi-function Display.**

The easy-to-read Multi-function Display allows you to check everything at a glance, from speed and journey distance to vehicle warnings and more.



XR Ute interior shown with optional XR Luxury Pack.



**Satellite navigation system with Suna™ Traffic Channel:**

Guides you to your destination via a map on the large 7" colour ICC screen and voice commands integrated within the vehicle's audio system. The new Suna Traffic Channel provides dynamic road traffic information, keeping you informed to help avoid congestion and providing re-routes around traffic incidents.



**Bluetooth® mobile phone integration:**



**iPod Integration:**

**Human Machine Interface (HMI).**

Incorporating the Interior Command Centre (ICC), Multi-function Display and steering wheel controls, the HMI, via a customisable display screen, allows simple navigation of menus and operation of vehicle functions. This greatly increases safety, because you can easily see information such as speed, overspeed, audio information, trip computer, average fuel economy, average speed, travel time and more, minimising time that your eyes are off the road. The ICC control dial makes it simple to navigate through vehicle settings and make adjustments to features such as automatic climate control and audio settings.



**iPod Integration:**

Allows you to access and play your favourite playlists, albums and podcasts on your iPod through the vehicle's audio system, with everything controlled through the ICC screen or steering wheel buttons.



**Bluetooth® mobile phone integration:**

Enjoy safe, hands-free communication while you are driving. Integrated into your vehicle's audio system.



**Cruise control.**

With steering wheel mounted controls for greater convenience and improved safety.

\*\*Only available with optional Technology Pack. The Suna Traffic Channel broadcast is guaranteed for (but not necessarily limited to) four years from the time of vehicle manufacture. Coverage includes Melbourne, Sydney and Brisbane metropolitan areas only, refer to sunatraficc.com.au for full details. Suna Traffic Channel is available from quarter 3, 2008. \*Only available as part of optional Technology Pack. The Bluetooth® word mark and logos are registered trademarks owned by Bluetooth SIG, Inc. used under licence by Ford Motor Company. \*\*Only available as part of the optional Technology Pack. iPod is a trademark of Apple Inc. Please refer to ford.com.au for iPod compatibility.



## SAFETY

### Safe and secure.

### The Falcon Ute doesn't compromise when it comes to the very latest safety features.

No matter whether it's driving to work or heading to your favourite fishing spot on the weekend, the Falcon Ute with its long list of passive and active safety measures, including the Intelligent Safety System and the availability of Dynamic Stability Control<sup>†</sup>, helps to keep you and your passengers safe. Plus, the Supercab design space provides you with a lockable storage space while smaller valuables can be safely kept in the lockable glovebox, giving you peace of mind.



#### Airbags

Driver and front passenger airbags are standard across the range. There are also optional side head/thorax airbags for added protection.\*



#### Supercab design

Provides a generous space behind the seats that also gives you a lockable storage area.

#### ABS

The latest Anti-lock Braking System with Electronic Brakeforce Distribution is standard across the range.

#### Limited-slip differential<sup>†</sup>

Helps to maintain traction on slippery surfaces or where the rear wheels are on different types of road surface.



#### Immobiliser.

Standard on all models, the electronic immobiliser provides high security protection for your Falcon Ute.



#### Keyless entry.

Remote control flip key gives you the ease and added convenience of keyless entry with central locking.



#### Dynamic Stability Control.<sup>†</sup>

Dynamic Stability Control (DSC)<sup>†</sup> strengthens your connection to the road and helps you avoid the problems of oversteer and understeer. DSC tracks the vehicle's movement and then works in tandem with Traction Control and ABS to help keep the vehicle under control.



#### Perimeter alarm.<sup>^</sup>

Choose to raise the level of protection for your Falcon Ute with an advanced perimeter alarm.

\*Only available in optional Safety Enhancement Pack. # Standard on XR6 Turbo and XR8, optional on Falcon Ute, R6 and XR6. †DSC also known as Electronic Stability Control. Not available with optional E-Gas engine. Available on Falcon R6 Styleside Box and Falcon XR Ute models fitted with sports suspension from September 2008. Available on all Falcon Ute models, Falcon R6 Ute models fitted with one-tonne suspension and XR6 Cab Chassis model fitted with one-tonne suspension from December 2008. ^ Only available in optional Safety Enhancement Pack.

## ENGINE

### Power and performance.

#### A range of advanced, powerful engines and smooth responsive transmissions, lift your driving experience to a new level.

When it comes to a selection of engines and transmissions the Falcon Ute spoils you for choice. From the breathtaking grunt of the Boss 290 V8 to the E-Gas engine which is just as big on power as it is on fuel cost savings, there's an engine just right for your needs. And they're backed up by ultra-smooth, responsive transmissions, a new car-like front suspension system and re-tuned rear suspension that gives you incredible control and a smoother ride.



#### Transmissions.

Get more involved with the responsive new 6-speed manual or choose the car-like smoothness of the optional new 5-speed automatic or optional 6-speed auto.\* A 4-speed automatic transmission with Sequential Sports Shift is standard on the E-Gas engine.

\*Optional on the XR6 Turbo and XR8 only.



Falcon XR8 Ute shown with optional 19" alloy wheels, optional towpack, accessory EGR hard tonneau cover and alloy sports bar.



#### Boss 290 V8 engine.

The advanced new 5.4 w V8 takes high performance to a whole new level with 290kW of power and 520Nm of torque.

#### 4.0L Turbo I6 engine.

Delivers the type of performance that is guaranteed to get the adrenalin pumping. The new turbo system creates an awesome 270kW of power and 533Nm of torque.

#### 4.0L I6 engine.

This torquey yet fuel efficient engine, boasting 195kW of power and 391Nm of torque, is gutsy enough to pull hefty loads.



#### 4.0L E-Gas I6 engine.

The E-Gas engine can provide unbelievable fuel cost savings. With petrol prices rising, it's a good time to look at the alternatives. The powerful and ultra-efficient optional E-Gas engine will save you money with every kilometre you travel compared to a petrol engine.

The all new Falcon XR Ute is all about being able to play just as hard as you work. While the imposing full body styling kit, low stance and alloy wheels catch your eye, it's the mind-blowing performance that really sets the XR Ute apart from the pack.

# Play hard



PLAY HARD

**An aggressive new look.**

**With its sporty, sleek lines and commanding road presence, there's simply no mistaking the mighty Falcon XR Ute.**

With its dynamic looks there are very few vehicles that grab your attention quite like the new Falcon XR Ute. The striking combination of unique XR headlamps, fog lights, front bumper and alloy wheels, ensures the new XR Ute continues a remarkable tradition. And depending on your desire for personalisation, there's a choice of stylish accessory hard tonneau covers, optional 18" and 19" alloy wheels\* plus an accessory chrome sports bar to give you the ultimate look for the street.



**XR8 bonnet bulge.**

The new iconic bonnet bulge on the XR8 Ute hints at the awesome power lurking just beneath.

\*18" alloy wheels only available in optional XR Sports Pack.





Falcon XR6 Turbo Ute shown with optional 19" alloy wheels, accessory EGR hard tonneau cover and alloy sports bar.

RANGE

**The Falcon Ute range.**

Everybody's needs are different. Whether you're looking for a real workhorse, an eye-catching vehicle that delivers pulse-quickening performance, or you want the outstanding economy of an LPG engine, the Falcon Ute range has a vehicle that's just perfect for you.



Falcon Ute Cab Chassis



Falcon Ute Styleside Box



Falcon R6 Cab Chassis



Falcon R6 Styleside Box



Falcon XR6 Cab Chassis



Falcon XR6 Styleside Box



Falcon XR6 Turbo Ute



Falcon XR8 Ute



**Exterior Colours.**



Winter White



Seduce



Lightning Strike



Nitro



Ego



Sensation



Breeze



Silhouette



Vixen



Octane



Silk



Dash



Steel

Model	Falcon Ute / R6	XR
Winter White	✓	✓
Vixen	✓	✓
Lightning Strike*	✓	✓
Silk*	✓	✓
Sensation*	✓	✓
Ego*	✓	✓
Silhouette*	✓	✓
Steel*	✓	✓
Seduce*	-	✓
Octane*	-	✓
Breeze*	-	✓
Dash*	-	✓
Nitro*	-	✓

✓ - Available. -- Not available.

\*Prestige paints are optional extras that incur an additional charge.



XR interior shown with optional XR Luxury Pack.

### Falcon Ute Interior seat trims.

With such a striking range of interior seat trims, colours and XR seat trims including leather trim sports seats available, you can personalise your Falcon Ute to perfectly suit your driving mood.

#### Falcon Ute seat trim



#### Falcon R6 seat trim



#### Falcon XR seat trims



FALCON UTE AND R6 - MODEL / SEAT TRIM COLOUR COMBINATIONS		
SEAT TRIM	Falcon Ute	R6
Industry and Control Shadow	S	-
Pulse and Sonic Shadow	-	S

S - Standard. -- Not available.

XR - EXTERIOR PAINT / SEAT TRIM COLOUR COMBINATIONS					
EXTERIOR PAINT/ SEAT TRIM	Streetwise Graphite and Attitude Shadow	Streetwise Dark Silver and Attitude Shadow	Streetwise Red and Attitude Shadow	Streetwise Blue and Attitude Shadow	Nudo Shadow Leather with Silky Blue Stitch
Winter White	S	NCO	NCO	NCO	O/P
Ego	S	NCO	NCO	NCO	O/P
Silhouette	S	NCO	NCO	NCO	O/P
Lightning Strike	S	NCO	NCO	NCO	O/P
Sensation	S	NCO	-	NCO	O/P
Silk	S	NCO	-	NCO	O/P
Nitro	S	NCO	-	NCO	O/P
Vixen	S	NCO	NCO	-	O/P
Seduce	S	NCO	NCO	-	O/P
Steel	S	NCO	-	-	O/P
Octane	S	NCO	-	-	O/P
Breeze	S	NCO	-	-	O/P
Dash	S	NCO	-	-	O/P

S - Standard. NCO - No Cost Option. O - Leather trim is optional at an additional cost. -- Not available. P - Part of optional pack.



**Personalise your Falcon Ute.  
The choice is yours.**

You'll quickly discover that the Ford Vehicle Personalisation accessory range lets you personalise your Falcon Ute to perfectly suit your needs. Whether it's practical and functional items to enable you to work smarter, accessories to meet the needs of your active lifestyle or sporty extras to make your Falcon Ute stand out from the crowd, all of these accessories are available from your Ford Dealer.



**Soft tonneau cover.** The new flush-fit soft tonneau cover is stylish and flexible enough to handle a range of load types, including the ability to fit the tonneau cover securely over high loads. Also available for fitment with EGR sports bar. (sold separately)



**EGR hard tonneau cover.** Lightweight and impact resistant, this cover helps keep your equipment secure and protected from rain and dust. Available in a flat or power bulge design. Can be matched to EGR sports bar (sold separately).



**Spoiler.** Designed for use with the EGR hard tonneau cover with power bulge. Makes your Falcon Ute look even more sporty.



**XR waterproof seat covers.** Help protect your seat fabric from dirt, sand, liquids and everyday wear and tear with these cleverly designed neoprene covers.



**Garmin Nuvi 310 portable satellite navigation system.** Light and compact in size with a bright, high resolution colour screen, this handy satellite navigation system also features an MP3 and audio book player, world time clock, currency/measurement converters and a photo viewer.



**Cabin tidy.** The clever design of the cabin tidy makes it ideal for storing loose items.



**Fridge 'Day Tripper' 15L.** Connects to the 12V power outlet in the vehicle to keep food and drinks cool on the worksite.



**16" x 7" 5-spoke alloy wheels.** Enhance the sporty look of your Falcon Ute.



**Towpack.** Whether it's for work or a weekend away, there is a Genuine Ford towpack to suit your needs. Choose the standard towpack for a carrying capacity of up to 1,600kg, or the heavy duty towpack (including load levelling kit) for towing up to 2,300kg\*



**Rubber floor mats.** Help protect the floor of your vehicle from water, mud and sand with this set of four premium, heavy duty rubber floor mats.



**Scuff plates.** Enhance the appearance of your Falcon Ute with these stylish alloy scuff plates. Available as a set of two front scuff plates featuring either the 'Ford' or 'XR' logo.



**EGR sports bar.** Featuring aggressive and sporty styling, this strong, polished stainless steel sports bar will enhance the look of your Falcon Ute.

\* This accessory is a Supplier Branded Accessory and is not manufactured or warranted by Ford. The warranty is provided by the manufacturer of the accessory. Contact your Authorised Ford Dealer for details of the manufacturer's warranty applicable to this accessory. \*Subject to State and Territory regulations.

OPTIONS AND ACCESSORIES AVAILABILITY BY MODEL

	FALCON UTE		R6		XR6		XR6 TURBO	XR8
	C/C	SSB	C/C	SSB	C/C	SSB	SSB	SSB
<b>ACCESSORIES – EXTERIOR STYLING</b>								
16" x 7" 5-spoke alloy wheels (rated 1-tonne) <sup>1</sup>	O/A	O/A	A	A	O <sup>2</sup>	-	-	-
18" x 8" XR 5-spoke alloy wheels <sup>1</sup>	-	-	-	-	P/A <sup>3</sup>	P/A	P/A	P/A
EGR 3 piece hard tonneau cover <sup>4</sup>	-	A	-	A	-	A	A	A
EGR 1 piece hard tonneau cover <sup>4</sup>	-	A	-	A	-	A	A	A
EGR flat hard tonneau cover <sup>4</sup>	-	A	-	A	-	A	A	A
EGR leather grain hard tonneau cover <sup>4</sup>	-	A	-	A	-	A	A	A
EGR sports bar <sup>4</sup>	-	A	-	A	-	A	A	A
Spoiler	-	A	-	A	-	A	A	A
Mullins Raker 16" alloy wheels <sup>1,4,5</sup>	-	-	-	A <sup>3</sup>	-	-	-	-
Mullins Raker 17" alloy wheels <sup>1,4,5</sup>	-	-	-	-	A <sup>3</sup>	A	A	A
Mullins Haze 17" alloy wheels <sup>1,4,5</sup>	-	-	-	-	A <sup>3</sup>	A	A	A
Mullins Decimator 17" alloy wheels <sup>1,4,5</sup>	-	-	-	-	A <sup>3</sup>	A	A	A
Mullins Spectre 17" alloy wheels <sup>1,4,5</sup>	-	-	-	-	A <sup>3</sup>	A	A	A
Mullins Raker 18" alloy wheels <sup>1,4,5</sup>	-	-	-	-	A	A	A	A
Mullins Raker 18" chrome alloy wheels <sup>1,4,5</sup>	-	-	-	-	A	A	A	A
Mullins Tease 18" chrome alloy wheels <sup>1,4,5</sup>	-	-	-	-	A	A	A	A
Mullins Vanquish 18" alloy wheels <sup>1,4,5</sup>	-	-	-	-	A <sup>3</sup>	A	A	A
Mullins Haze 18" alloy wheels <sup>1,4,5</sup>	-	-	-	-	A <sup>3</sup>	A	A	A
Mullins Haze 18" chrome alloy wheels <sup>1,4,5</sup>	-	-	-	-	A <sup>3</sup>	A	A	A
Mullins Spectre 18" alloy wheels <sup>1,4,5</sup>	-	-	-	-	A <sup>3</sup>	A	A	A
Mullins Stealth 18" chrome alloy wheels <sup>1,4,5</sup>	-	-	-	-	A	A	A	A
Mullins Subb 18" chrome alloy wheels <sup>1,4,5</sup>	-	-	-	-	A	A	A	A
Mullins Vanquish 19" alloy wheels <sup>1,4,5</sup>	-	-	-	-	-	A	A	A
<b>ACCESSORIES – EXTERIOR PROTECTION</b>								
Bonnet protector / headlamp guards / weathershields	A	A	A	A	A	A	A	A
Lights on feature	A	A	A	A	A	A	A	A
Mudspats - front <sup>6</sup>	A	A	A	A	A	A	A	A

	FALCON UTE		R6		XR6		XR6 TURBO	XR8
	C/C	SSB	C/C	SSB	C/C	SSB	SSB	SSB
<b>ACCESSORIES – EXTERIOR PROTECTION (continued)</b>								
Soft tonneau cover <sup>7</sup>	A	A	A	A	A	A	A	A
<b>ACCESSORIES – INTERIOR STYLING, COMFORTS AND STORAGE</b>								
Carpet mats / rubber floor mats	A	A	A	A	A	A	A	A
Scuff plates (set of 2)	A	A	A	A	A	A	A	A
Cabin tidy	A <sup>8</sup>	A <sup>8</sup>	A	A	A	A	A	A
Cargo swing net	A	A	A	A	A	A	A	A
Dash mat	A	A	A	A	A	A	A	A
Pollen filter	A	A	A	A	A	A	A	A
Smoker's pack	A <sup>8</sup>	A <sup>8</sup>	A	A	A	A	A	A
XR waterproof seat covers <sup>9</sup>	-	-	-	-	A	A	A	A
<b>ACCESSORIES – IN CAR ENTERTAINMENT AND ELECTRICAL</b>								
Garmin Nüvi 260 portable satellite navigation system <sup>4</sup>	A	A	A	A	A	A	A	A
Garmin Nüvi 260W portable satellite navigation system <sup>4</sup>	A	A	A	A	A	A	A	A
Garmin Nüvi 310 portable satellite navigation system <sup>4</sup>	A	A	A	A	A	A	A	A
Garmin Nüvi 760 portable satellite navigation system <sup>4</sup>	A	A	A	A	A	A	A	A
Single zone automatic climate control	O/A	O/A	O/A	O/A	S	S	S	S
Bluetooth® mobile phone integration <sup>10</sup>	P/A	P/A	P/A	P/A	P/A	P/A	P/A	P/A
iPod Integration <sup>8,11</sup>	P/A	P/A	P/A	P/A	P/A	P/A	P/A	P/A
Fridge 'Day Tripper' 15L/fridge power adaptor	A	A	A	A	A	A	A	A
<b>ACCESSORIES – SAFETY AND SECURITY</b>								
Perimeter alarm	O/A	O/A	O/A	O/A	O/A	O/A	O/A	O/A
<b>ACCESSORIES – TOWING AND CARRYING</b>								
Towpack - standard 1600kg rated (auto)/1200kg rated (manual) <sup>12</sup>	O/A	O/A	O/A	O/A	O/A	O/A	O/A	O/A
Towpack - heavy duty 2300kg rated (incl. load levelling kit) <sup>12,13</sup>	A	A	A	A	A	A	A	A
Rhino-Rack 2500 multi fit carry bar <sup>4</sup>	A	A	A	A	A	A	A	A

S - Standard. O - Optional. A - Accessory that can be added at any time. - - Not available. P - Part of optional pack.

1. Wheels and tyres sold separately when fitted in Dealership. 2. Only fitted with optional 1-tonne suspension. 3. Not available with optional 1-tonne suspension. 4. This accessory is a Supplier Branded Accessory and is not manufactured or warranted by Ford. The warranty is provided by the manufacturer of the accessory. Contact your Authorised Ford Dealer for details of the manufacturer's warranty applicable to this accessory. 5. It is recommended that tyres matching original equipment specification be fitted to Mullins alloy wheels. Not available with optional E-Gas engine. 6. Rear mudspats standard on Falcon Ute models. 7. Available for standard Styleside Box, for sports bar and when optional factory aluminium tray is fitted to Cab Chassis models. 8. Not available when optional column shift automatic is specified. 9. Driver and front passenger seat covers sold separately. 10. Only suitable for Bluetooth® compatible phones. The Bluetooth® word mark and logos are registered trademarks owned by Bluetooth SIG, Inc. and any use of such marks by Ford Motor Company is under license. 11. iPod is a trademark of Apple Inc. Please refer to www.ford.com.au for iPod compatibility. 12. Subject to State and Territory regulations. 13. Available on automatic transmission models only.

## SPECIFICATIONS AND OPTIONS.

For full specifications and options visit [ford.com.au](http://ford.com.au)

	4.0L DOHC DI-VCT I6	E-GAS	4.0L DOHC DI-VCT TURBO I6	BOSS 290			
ENGINE TYPE	4.0L DOHC DI-VCT I6	4.0L DOHC DI-VCT I6 DEDICATED LPG	4.0L DOHC DI-VCT TURBO I6	5.4L DOHC 4V V8			
Applicable models	Falcon Ute, R6, XR6	Falcon Ute, R6, XR6	XR6 Turbo	XR8			
Engine size (cc)	3984	3984	3984	5408			
Compression ratio	10.3:1	10.3:1	8.8:1	10.5:1			
Maximum power (DIN)	195kW @ 6000rpm	156kW @ 4750rpm	270kW @ 5250rpm <sup>1</sup>	290kW @ 5750rpm <sup>1</sup>			
Maximum torque (DIN)	391Nm @ 3250rpm	371Nm @ 2750rpm	533Nm @ 2000rpm – 4750rpm <sup>1</sup>	520Nm @ 4750rpm <sup>1</sup>			
No. of valves	24	24	24	32			
Bore x stroke	92.25 x 99.31mm	92.25 x 99.31mm	92.25 x 99.31mm	90.2 x 105.8mm			
Fuel management system	Sequential multipoint electronic fuel injection	Venturi demand system	Sequential multipoint electronic fuel injection	Sequential multipoint electronic fuel injection			
Engine management	Powertrain control module incorporating electronic throttle control						
TRANSMISSION RATIOS	6-SPEED MANUAL	5-SPEED AUTO	4-SPEED AUTO	6-SPEED MANUAL	6-SPEED AUTO	6-SPEED MANUAL	6-SPEED AUTO
1st	3.36	3.22	2.39	2.98	4.17	2.98	4.17
2nd	2.07	2.29	1.45	1.78	2.34	1.78	2.34
3rd	1.35	1.55	1.00	1.30	1.52	1.30	1.52
4th	1.00	1.00	0.68	1.00	1.14	1.00	1.14
5th	0.71	0.71	-	0.71	0.87	0.71	0.87
6th	0.57	-	-	0.55	0.69	0.55	0.69
Reverse	3.28	3.01	2.09	2.90	3.40	2.90	3.40
DIFFERENTIAL	MANUAL	AUTO	AUTO	MANUAL	AUTO	MANUAL	AUTO
Drive ratio	3.45:1	2.73:1	3.23:1	3.73:1	2.73:1	3.73:1	2.73:1
FUEL							
Fuel tank capacity (L)	81		92	81		81	
Recommended fuel	ULP or PULP E10 Compatible		LPG only	ULP or PULP E10 Compatible		PULP E10 Compatible	
ELECTRICAL/CLUTCH							
Battery	54Ah		54Ah	54Ah		54Ah	
Clutch type (manual only)	Self-adjusting diaphragm		-	Self-adjusting diaphragm		Self-adjusting diaphragm	
Diameter (manual only)	254mm		-	290mm		290mm	
MAXIMUM BRAKED TOWING CAPACITY <sup>2</sup> :							
Manual	1200Kg <sup>3,4</sup>		-	1600Kg <sup>3,4</sup>		1600Kg <sup>3,4</sup>	
Automatic				2300Kg <sup>4,5</sup>			
BRAKES							
Front brakes	Standard vented disc brakes with twin piston caliper (Performance brakes on XR6 Turbo, XR8)						
Rear brakes	Standard solid disc brake with single piston caliper						
Anti-Lock Braking System (ABS)	4-Channel ABS with Electronic Brakeforce Distribution (EBD) - (XR6, XR6T, XR8 and Falcon Ute / R6 fitted with Traction Control / DSC) 3-Channel ABS with Electronic Brakeforce Distribution (EBD) - (Falcon Ute / R6 without Traction Control / DSC)						
Dynamic Stability Control (DSC) <sup>6</sup>	Dynamic Stability Control (DSC) incorporates Traction Control System (TCS) Emergency Brake Assist (EBA) and 4-channel ABS with Electronic Brakeforce Distribution (EBD) - Petrol Only <sup>7</sup>						

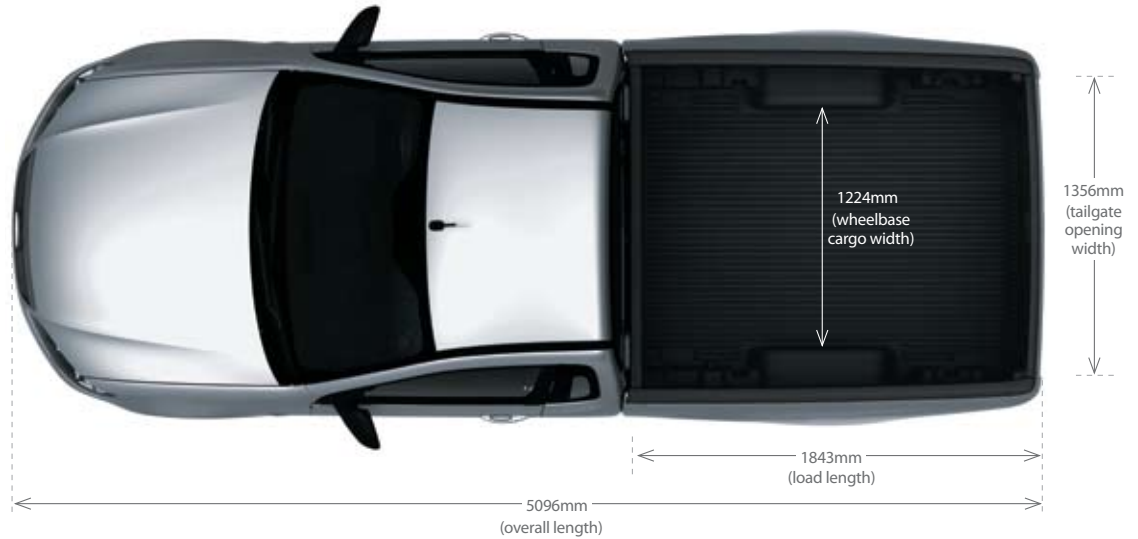
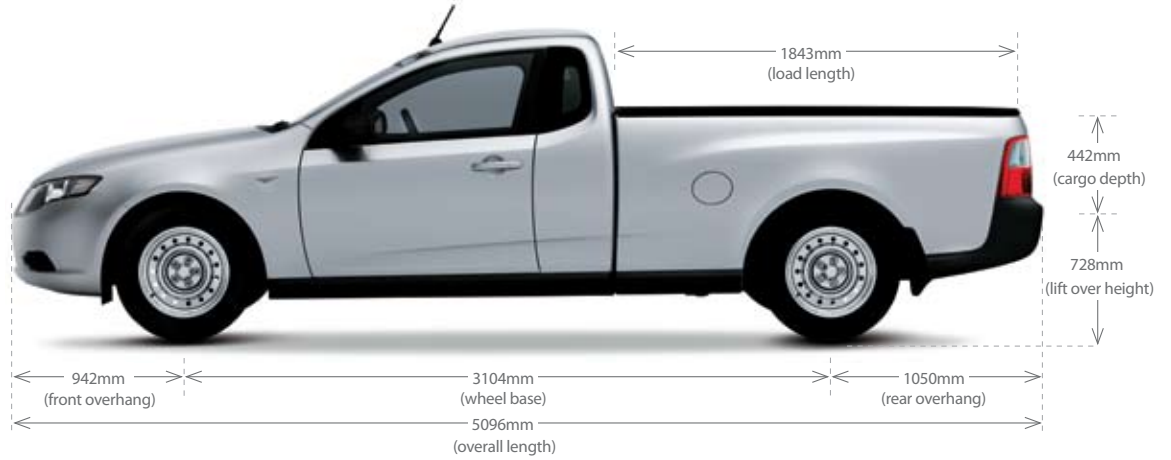
S - Standard. O - Optional. NCO - No Cost Option. A - Accessory. -- Not available. P - Part of optional pack.

1. Power and torque figures measured using premium unleaded fuel (95 RON). 2. Figures quoted are for braked trailers. Subject to State and Territory regulations. 3. When fitted with Genuine Ford towbar. Subject to state and territory regulations. 4. Towball download and rear axle limits must not be exceeded. Please refer to your Ford Dealer for advice. 5. When fitted with a Genuine Ford heavy duty towpack and load levelling kit. Subject to state and territory regulations. 6. Available on Falcon R6 Styleside Box and Falcon XR Ute models fitted with sports suspension from September 2008. Available on all Falcon Ute models, R6 Ute models fitted with one-tonne suspension and XR6 Cab Chassis model fitted with one-tonne suspension from December 2008. 7. Standard on XR Models. Optional on Falcon Ute and R6 models. 8. Cab Chassis dimensions quoted with optional factory fitted tray. 9. Excludes exterior side mirrors. 10. Kerb mass and payload maximum values are approximate only. Kerb mass quoted includes full tank of fuel, without occupants or luggage/cargo and with all standard equipment (plus automatic climate control where not standard). 11. Payload (maximum) = GVM (Gross Vehicle Mass) minus the kerb mass. 12. Payload is defined as the combined value inclusive of occupants, cargo, added options, additional structures and towball download when towing. 13. For petrol engine with optional automatic transmission, add 5kg to kerb mass. 14. For optional E-Gas engine, add 55kg to kerb mass. 15. When optional 19" wheels and tyres specified, reduce GVM, payload and rear axle load maximum by 70kg. 16. When optional factory aluminium tray specified, add 120kg to kerb mass. 17. Front and rear axle load limits must not be individually exceeded. The combined weight of the fully loaded vehicle and trailer must not exceed the GCM. GVM must not be exceeded. 18. Refer to Owner's Manual for full vehicle mass details.

	FALCON UTE			R6		XR6		XR6 TURBO	XR8	
	C/C <sup>8</sup>	SSB		C/C <sup>8</sup>	SSB	C/C <sup>8</sup>	SSB			
EXTERIOR DIMENSIONS (mm)										
Overall length	5382	5096		5382	5115	5394	5127	5127	5127	
Overall width <sup>9</sup>	1897	1934		1897	1934	1897	1934	1934	1934	
Wheelbase	3104	3104		3104	3104	3104	3104	3104	3104	
Front track	1583	1583		1583	1583	1583	1583	1583	1583	
Rear track	1583	1583		1583	1583	1583	1583	1583	1583	
Front overhang	942	942		942	942	954	954	954	954	
Rear overhang	1336	1050		1336	1069	1336	1069	1069	1069	
INTERIOR DIMENSIONS (mm)										
Front headroom	1026	1026		1026	1026	1026	1026	1026	1026	
Front legroom	1073	1073		1073	1073	1073	1073	1073	1073	
Front shoulder room	1523	1523		1523	1523	1523	1523	1523	1523	
Front hiproom	1486	1486		1486	1486	1486	1486	1486	1486	
Luggage volume behind seats (L)	235	235		235	235	235	235	235	235	
CARGO DIMENSIONS (mm)										
Suspension type	1-tonne	¾-tonne	1-tonne	1-tonne	Sports	1-tonne	1-tonne	Sports	Sports	Sports
Floor level load length	2209	1843	1843	2209	1843	1843	2209	2209	1843	1843
Belt level load length	2209	1843	1843	2209	1843	1843	2209	2209	1843	1843
Wheelhouse cargo width	1804	1224	1224	1804	1224	1224	1804	1804	1173	1173
Tailgate opening width	1804	1356	1356	1804	1356	1356	1804	1804	1356	1356
Liftover height	969	728	789	969	704	787	969	835	688	679
Cargo depth	240	442	442	240	442	442	240	240	442	442
VEHICLE MASSES <sup>10-18</sup> (kg)										
Suspension type	1-tonne	¾-tonne	1-tonne	1-tonne	Sports	1-tonne	Sports	1-tonne	Sports	Sports
GVM	2820	2510	2820	2820	2325	2820	2325	2820	2325	2380
Kerb mass (manual transmission)	1580	1735	1745	1595	1725	1760	1565	1580	1740	1785
Payload (maximum) (manual)	1240	775	1075	1225	600	1060	760	1240	585	570
Front axle load (maximum)	1165	1165	1165	1165	1165	1165	1165	1165	1165	1165
Rear axle load (maximum)	1700	1380	1700	1700	1240	1700	1240	1700	1240	1240
Tailgate load rating (maximum)	-	500	500	-	500	500	-	-	500	500
GCM										
- 1200kg towing	3900	3590	3900	3900	3405	3900	3405	3900	3405	3435
- 1600kg towing	4260	3950	4260	4260	3765	4260	3765	4260	3765	3795
- 2300kg towing	4890	4580	4890	4890	4395	4890	4395	4890	4395	4425
MINIMUM TURNING CIRCLE (m)										
Diameter (kerb-to-kerb)	11.8 <sup>7</sup>									
ENGINE AND TRANSMISSION										
4.0L DOHC DI-VCT I6	S	S		S	S		S	S	-	-
6-speed manual transmission	S	S		S	S		S	S	-	-
5-speed automatic transmission with Sequential Sports Shift	O	O		O	O		O	O	-	-
5-speed automatic column shift transmission <sup>19</sup>	O	O		-	-		-	-	-	-
4.0L DOHC DI-VCT TURBO I6	-	-		-	-		-	-	S	-
6-speed manual transmission	-	-		-	-		-	-	S	-
ZF 6-speed automatic transmission with Sequential Sports Shift	-	-		-	-		-	-	O	-
BOSS 290 5.4L DOHC 4V V8	-	-		-	-		-	-	-	S
6-speed manual transmission	-	-		-	-		-	-	-	S
ZF 6-speed automatic transmission with Sequential Sports Shift	-	-		-	-		-	-	-	O
E-GAS 4.0L DOHC DI-VCT I6 (DEDICATED LPG) <sup>20</sup>	O	O		O	O <sup>21</sup>		O <sup>21</sup>	O <sup>21</sup>	-	-
4-speed automatic transmission with Sequential Sports Shift	S	S		S	S		S	S	-	-
4-speed automatic column shift transmission	O	O		-	-		-	-	-	-

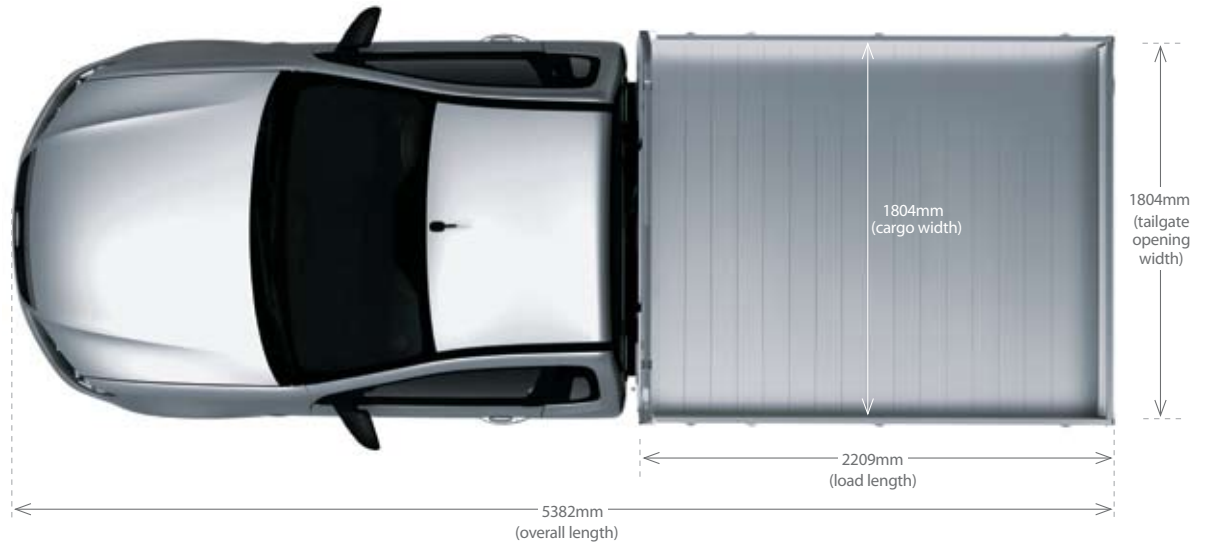
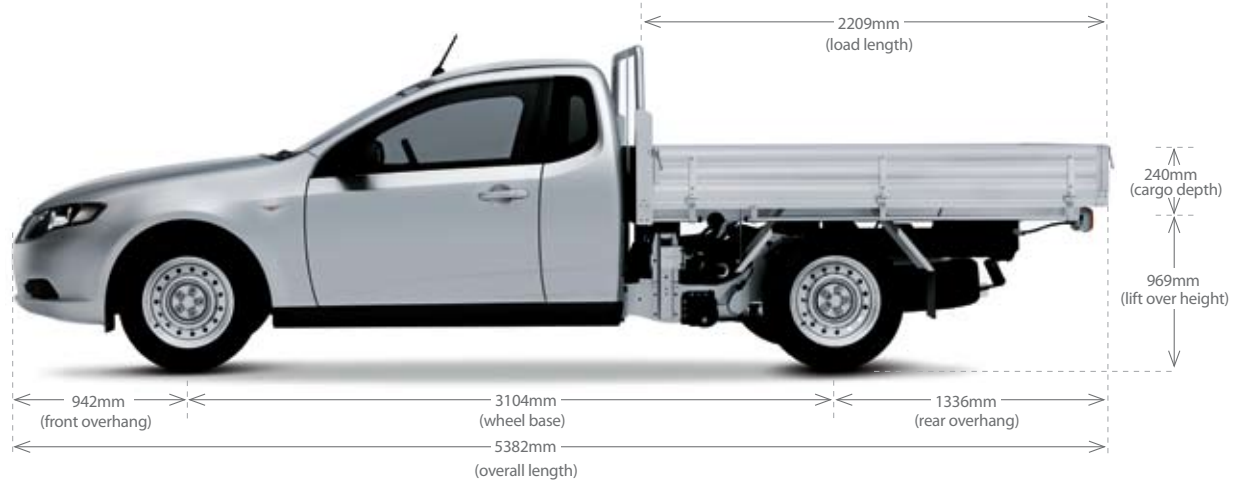


## Styleside Box



\*Excludes side mirrors.

## Cab Chassis



\*Excludes side mirrors.



## Making your ownership experience even more rewarding.

A great car is just the beginning. We support you with a wide range of services that aim to make you one of the most satisfied vehicle owners in Australia.

### Insurance

Ford offers a full suite of insurance products; designed to make it easier to keep your Falcon Ute on the road. Along with traditional motor vehicle insurance, we also offer various loan and equity protection products to both private and business buyers.

### Considering Finance?

Ford Credit provides a range of finance driven solutions for private, business and fleet customers; making it easier, and more affordable than you may expect, to drive a new Falcon Ute. Having financed more than one million vehicles in Australia since 1971, Ford Credit has the products and experience to meet your needs. For more information, ask at your authorised Ford Dealer or visit us at [www.fordcredit.com.au](http://www.fordcredit.com.au)

### Ford Roadside Assistance

Our commitment to your complete satisfaction plays a major role in everything we do. That is why we provide Ford Roadside Assistance for all Ford Falcon Ute models. Wherever and whenever you need emergency roadside assistance, help is available 24 hours a day, 365 days a year. If your vehicle breaks down and cannot be repaired, we will organise to transport your vehicle to the nearest

Ford Dealer or approved service centre for repair. Ford Roadside Assistance is valid for 1 year from the vehicle's first registration.

### 3 year/100,000km new car warranty.#

For three years or 100,000km, whichever comes first, your Ford is covered against any defects in factory materials or workmanship. This also applies to Genuine Ford Accessories you may have had fitted before you took delivery.

### 5 year warranty against perforation corrosion#

It's reassuring to know that the original body of your gleaming new Ford is guaranteed against perforation corrosion for the first five years of its life. If perforation corrosion occurs, we'll fix it for free.

### Want to contact us?

For answers to your questions, or help with any concern, contact our Customer Relationship Centre on 13 FORD (13 3673).

### Running a fleet?

Our Ford Business Centre is available to assist fleet customers with information on Ford products and services. Call 1300 13 13 30.

### Visit us on the web.

If you want more information on Ford or our entire product range, visit us on the Internet at [ford.com.au](http://ford.com.au)

#Conditions and exclusions apply. See your authorised Ford Dealer for details.

This brochure is designed to provide you with a general introduction to the Ford Products (including available optional equipment) referred to, and should be read in conjunction with the latest specification sheet. Because of changes in conditions and circumstances Ford\* reserves the right, subject to all applicable laws, at any time, at its discretion, and without notice, to discontinue or change the features, designs, materials, colours and other specifications and the prices of their products, and to either permanently or temporarily withdraw any such products from the market without incurring any liability to any prospective purchaser or purchasers. The latest specification sheet should be referred to for information on the availability, ordering and use of optional equipment. Always consult an authorised Ford Dealer for the latest information with respect to features, specifications, prices, optional equipment and availability before deciding to place an order. \*FORD MOTOR COMPANY OF AUSTRALIA LIMITED. (A.B.N. 30 004 116 223) Registered Office: 1735 Sydney Road, Campbellfield, Victoria 3061, Australia. Printed August 2008. FML8027eb







[ford.com.au](http://ford.com.au)