

 | NEW THINKING.
HYUNDAI | NEW POSSIBILITIES.

iMax shuttle



Hyundai iMax shuttle

Live large

Combining business efficiency with lifestyle practicality, stylish Hyundai iMax offers exceptional seating flexibility for 8 people plus cargo, in a prestigious designed shuttle.

A dynamic two tone exterior with 16" alloy wheels and a fully-equipped elegant cabin are complemented by world-class safety features and performance, making Hyundai iMax the optimal choice for business or family leisure mobility. You can also select from a range of Hyundai Genuine Accessories to customise your Hyundai iMax experience.

Space to the max...The Hyundai iMax.

01 Style

02 Space

04 Comfort

06 Safety

08 Performance

**10 Accessories
& Features**

**12 Colours
& Finish**

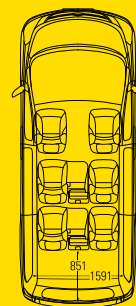
13 Specifications

01

Space

Live
Large

Hyundai iMax features a roomy interior that readily adapts to suit a variety of business and recreational purposes. The versatile seating configuration features a sliding centre row and accommodates the driver and up to 7 passengers in spacious comfort, whilst retaining a generous rear cargo area or luggage space.





Comfort & Convenience

The sleek appearance of Hyundai iMax is matched by its sheer spaciousness, quality finishes and thoughtful inclusions. Two sliding side doors for passenger entry and exit plus a rear lift gate to the cargo/luggage area means the vehicle is easily accessible from all angles.

Drivers will appreciate the ergonomic design and thoughtful touches in the cabin which include the convenience of an overhead console, tilt steering column, and front power windows and mirrors. Front fog lamps, Rear park assist sensors and keyless entry with alarm plus central locking also provide added confidence and peace of mind.

Drivers will appreciate the ergonomic design and thoughtful touches





Overseas model shown.

Passengers can sit back and relax surrounded by a four-speaker audio system with Bluetooth,[#] iPod[®]^ and MP3 player connectivity, and enjoy dual zone air conditioning featuring roof-mounted rear ventilation. Other attributes include CD player, front power windows and mirrors, driver and passenger armrest, cup holders, power outlet, vanity mirrors with covers and full-length windows.

Bluetooth[®] is a registered trademark of Bluetooth SIG, Inc. [#]Please check your Bluetooth[®] device's capabilities to ensure compatibility. iPod[®] is a registered trademark of Apple Inc., registered in the US and other countries. [^]iPod[®] and connection lead not included.



From the rigid chassis and Electronic Stability Control (ESC) to the airbag system and child seat anchor points (second row seats), the array of active and passive safety features in Hyundai iMax further demonstrate Hyundai's commitment to the protection of every vehicle occupant and their cargo at all times.



Safe

Safety

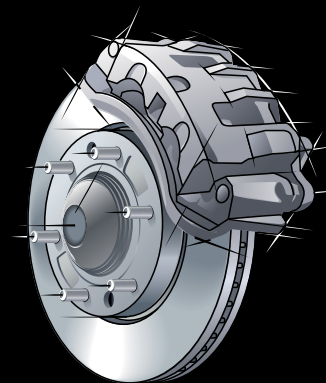
- Electronic Stability Control (ESC) and Traction Control System (TCS)
- 4 channel Anti-skid Braking System (ABS) with Electronic Brakeforce Distribution (EBD) and 4 disc brakes (ventilated)
- 4-Star ANCAP safety rating
- Dual front airbags
- Height-adjustable front seatbelts with pretensioner
- Rear park assist sensors and front fog lamps
- Keyless entry + immobiliser + security alarm + central locking
- Semi-bonneted design
- Four ring strengthened body with rigid cabin



4 ring construction



Disc brakes (ventilated)



Performance & Economy



Whether you choose the petrol or high-output turbo Diesel engine, Hyundai iMax delivers outstanding rear wheel drive performance with excellent fuel economy.

Macpherson Strut front suspension provides superb handling, while the space-saving multi-link rear coil spring suspension improves both ride and rigidity, and creates additional luggage space.

The 4 channel Anti-skid Braking System (ABS) acts on ventilated front and rear discs with a 10" booster for exceptional stopping power; and the Electronic Stability Control (ESC) with Traction Control System (TCS) monitors engine response and helps control wheel slippage in hazardous braking situations.

The 2.4 petrol engine with 4-speed automatic transmission and the choice between 6-speed manual or the gutsy 5-speed automatic 2.5 Diesel engine deliver outstanding power and torque, while advanced technology ensures thrifty fuel consumption and long-haul reliability.

2.4 CVVT petrol

- Power = 129kW
- Torque = 228Nm
- Economy = 10.6 litres* per 100kms (automatic only)
- Continuously Variable Valve Timing (CVVT) synchronises power with economy

2.5 CRDi turbo Diesel*

- Power = 100kW (manual), 125kW (auto)
- Torque = 343Nm (manual), 441Nm (auto)
- Economy = 8.1 litres* per 100kms (manual), 9 litres* per 100kms (auto)
- Variable Geometry Turbo (VGT) for accelerated efficiency at higher speeds and Common Rail Direct injection (CRDi) Diesel fuel delivery system with intercooled turbo



2.4 CVVT petrol

2.5 CRDi turbo Diesel

*Australian Design Rule 81/02 static laboratory combined average city & highway cycle test. Fuel consumption will vary depending on a combination of driving habits and the condition of the vehicle. • From February 2012 production.

Hyundai Genuine Accessories

Hyundai Genuine Accessories can enhance your driving pleasure and ownership pride by adding extra ease and enjoyment to your lifestyle pursuits. Importantly, Hyundai Genuine Accessories are an astute way to help keep your new iMax in original showroom condition.

All Hyundai Genuine Accessories are backed by a 5 year warranty if purchased at the time of a new Hyundai vehicle and fitted by an authorised Hyundai dealer.*



DVD Entertainment



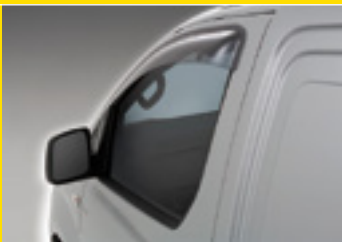
Tailored Carpet Floor Mats



Dash Mat



Headlight Protectors (Set of 2)



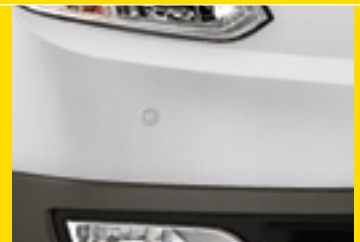
Tinted Stylevisors



Towbar, Towball & Trailer Wiring Harness¹



Portable Cooler 12V, 15L²



Front Park Assist³



Whisperbar™ Quiet Roof Racks (2 bar set)⁴



Ski & Snowboard Carrier



Roof Mounted Bike Carrier



Alloy Nudge Bar



Rear Step with Corner Protectors



First Aid Kit



Grab Handles



Bluetooth® Phone Kit⁵

Images used for illustrative purposes only. 1. Maximum ball download 150kg. Towbar (1500kg braked & 750kg unbraked- petrol and CRDI automatic) or (2000kg braked & 750kg unbraked- CRDI manual). Towbar capacity subject to regulatory requirements, towbar design, vehicle design and towing equipment limitations. 2. Only suitable for use with retractable seatbelt. 3. Park Assist is designed as driver assist aid only and should not be used as a substitute for skilled driving and safe parking practices. While the Park Assist Sensors monitor objects on approach, there may be occasions where blind spots affect the sensitivity of the sensors and as a result, the area into which the vehicle is heading must be visually monitored by the driver at all times while parking. 4. Load capacity = 75kg evenly distributed across 2 bars with secure lock function. 5. Only suitable for Bluetooth® compatible phones. Bluetooth® is a registered trademark of Bluetooth SIG, Inc.

* All Hyundai Genuine Accessories are subject to warranty conditions. See your nearest Hyundai Dealer or visit our website at www.hyundai.com.au for full warranty terms and usage recommendations. Accessories pictured are all sold separately at an additional cost.





The iMax featured above in Creamy White is accessorised with Whipbar Quiet Roof Racks⁴, Surfboard Carrier, Tinted Stylevisors (set of 2), Alloy Pudge Bar, Headlight Protectors (set of 2), Towbar, Towball & Trailer Wiring Harness¹, Front Park Assist³. All sold separately at additional cost. Surfboard not included.

Hyundai iMax Colours & Finish

Exterior Colour

Creamy White
(TAC) - Solid

Timeless Black
(PB5) - Mica

Hyper Metallic
(P3S) - Metallic

Interior Colour

Tricott Suede / Grey



Colours are indicative only and may vary due to the printing process. Metallic and Mica paint are optional extras.

Hyundai iMax Features



ESC + TCS



Ventilated disc brakes with ABS and EBD



Dual airbags



Seatbelt pretensioners and height adjustable seatbelts



Rear park assist



Foglights



8 seats plus 851L luggage capacity



Tilt steering column
Steering wheel audio controls



Keyless entry (2 remote keys) with burglar alarm



Power windows and mirrors



2 sliding doors for easy access



Retractable sunglasses compartment



Bluetooth® media streaming and Handsfree¹



Aux & USB with iPod® connectivity²



12V power outlet



Cup and bottle holders



Two tone interior and exterior



Air conditioning - dual zone system with roof mounted side vents for centre & rear



Illuminated vanity mirrors with covers



Dual glovebox compartments



Twin front door pockets



16" alloy wheels



2.4L CVVT petrol (auto)



2.5L CRDi high output turbo Diesel

1. Bluetooth® is a registered trademark of Bluetooth SIG, Inc. Please check your Bluetooth® device's capabilities to ensure compatibility. 2. iPod® is a registered trademark of Apple Inc., registered in the U.S. and other countries.

Engine	2.4 Petrol	2.5 CRDi
Configuration	Lengthening front-mounted driving seat	Lengthening front-mounted driving seat
Cylinder capacity	2.4 litres (2393cc)	2.5 litres (2487cc)
Number of cylinders	4-in-line	4-in-line
Valve system	DOHC (4 Valve/Cyl)	DOHC (4 Valve/Cyl)
Maximum power	129 kW @ 6000 RPM	100 kW @ 3600 RPM (manual) 125 kW @ 3600 RPM (auto)
Maximum torque	228 Nm @ 4200 RPM	343 Nm @ 1500-2500 RPM (manual) 411 Nm @ 2000-2250 RPM (auto)
Fuel System	Sequential multi-point fuel injection	Common Rail Direct Injection (CRDi)
Bore x stroke	88.0 mm x 97.0 mm	91.0 mm x 96.0 mm
Compression ratio	10.5:1	16.4:1
Transmission	2.4 Petrol	2.5 CRDi
Manual	-	6 speed manual
Automatic	4 speed automatic	5 speed automatic
Gear ratio	Auto	Manual
1st	2.804	4.689
2nd	1.531	2.337
3rd	1.000	1.350
4th	0.705	1.000
5th	-	0.784
6th	-	0.679
Reverse	2.383	4.253
Final	4.222	3.692
Steering	2.4 Petrol	2.5 CRDi
Type	Hydraulic Power Assisted, rack and pinion	
Column	Energy absorbing dual collapsible steering column with tilt adjustment	
Minimum turning circle diameter	11.22 metres	
Number of steering wheel turns lock to lock	3.57	
Brakes	2.4 Petrol	2.5 CRDi
General	Hydraulic, power assisted braking system	
Front	300 mm ventilated disc, 2 spot calliper brake with pad wear warning device	
Rear	324 mm ventilated disc, 1 spot-calliper brake with pad wear warning device and drum parking brake system	
ABS	4-wheel (4x4) anti-lock Braking System (ABS) and Electronic Brakeforce Distribution (EBD)	
Dimensions	2.4 Petrol	2.5 CRDi
Exterior		
Length	5125 mm	
Width	1920 mm	
Height	1925 mm	
Wheelbase	3000 mm	
Wheel track - front/rear (kg to weight)	1605 / 1660 mm	
Minimum ground clearance (based on kg to weight)	190 mm	
Interior		
Head room 1st / 2nd / 3rd row	1017 / 1018 / 1010 mm	
Leg room 1st / 2nd / 3rd row	1041 / 995 / 925 mm	
Shoulder room 1st / 2nd / 3rd row	1610 / 1650 / 1575 mm	
Hip room 1st / 2nd / 3rd row	1530 / 1652 / 1460 mm	
Cargo Capacity (VDA)	862 L	
Weight	2.4 Petrol	2.5 CRDi
Kerb/GVM		
Manual	-	2215 / 3038 kg
Automatic	2128 / 2930 kg	2290 / 3030 kg
GCM		
Manual	-	5030 kg
Payload	4480 kg	5030 kg
Manual	-	815 kg
Automatic	802 kg	800 kg
Load Capacity	2.4 Petrol	2.5 CRDi
Braked/unbraked	1500 / 750 kg	2000 / 750 kg (Manual)
Maximum towball weight	150 kg	150 kg
Maximum roof load 2 / 3 rack system	100 / 125 kg	100 / 125 kg
Fuel Consumption Figures*	2.4 Petrol	2.5 CRDi
Manual/Auto		
Combined (l/100km)	10.6	8.1 / 9.0
Urban (l/100km)	13.3	10.2 / 11.6
Extra (l/100km)	9.0	6.8 / 7.5
CO ₂ (Combined g/km)	250	213 / 238
Fuel tank capacity	75 L	75 L
Suspension	2.4 Petrol	2.5 CRDi
Front	MacPherson Struts with coil springs and gas-filled shock absorbers	
Rear	Five-link coil springs with gas-filled shock absorbers	

Wheels and Tyres	2.4 Petrol	2.5 CRDi
16" x 6.5J alloy wheels	•	•
215/70 R16 tyres	•	•
Full size steel spare wheel	•	•
Active Safety		
4-Channel, 4 sensor Anti-lock Braking System (ABS) and Electronic Brakeforce Distribution (EBD)	•	•
Electronic Stability Control (ESC) with Traction Control System (TCS)	•	•
High-mounted stop light on rear tail gate	•	•
Front fog lamps	•	•
Rear park assist	•	•
Passive Safety		
Airbags	Driver and front passenger SRS airbags	•
Body		
Auto unlock on impact	•	•
Child safety door locks on sliding doors	•	•
Four ring strengthened body with rigid cabin and crush zones front and rear	•	•
Impact absorbing bumpers	•	•
Semi-bonneted	•	•
Side impact intrusion bars in doors	•	•
Seatbelts	3 point retractable seat belts for all occupants	•
Pretensioners, load limiters and height adjustable upper mounts on front seat belts	•	•
Seating	Child seat anchor points on 2nd row seats	•
Head restraints with vertical adjustment for all occupants	•	•
Security		
Central locking	•	•
Engine immobiliser	•	•
Keyless entry with burglar alarm	•	•
Multimedia System		
MP3 / WMA / CD player, AM/FM tuner	•	•
4 speakers	•	•
Bluetooth® media streaming and Handsfree®	•	•
USB audio input with iPod® compatibility	•	•
Auxiliary input jack (to connect external audio source)	•	•
Roof-mounted aerial	•	•
Steering wheel audio controls	•	•
Occupant Comfort		
5 speed intermittent, 3-stage wipe modes on front wipers with 3-way washer nozzle	•	•
12V power outlet	•	•
60/40 split rear seats (2nd row sliding)	•	•
Battery saving automatic headlights off when ignition key removed	•	•
Cigarette lighter and ash tray	•	•
Day / night rear view mirror	•	•
Digital clock	•	•
Dual sliding doors	•	•
Dual tone horn	•	•
Electrically adjusted external mirrors	•	•
Factory UV tinted glass	•	•
Height adjusting driver's seat cushion	•	•
Occupant assist grip handles for front and rear passengers	•	•
Pop-out latch windows for rear passengers	•	•
Power windows for front passengers with driver one touch auto down function	•	•
Rear heated glass with timer	•	•
Tachometer	•	•
Trip odometer	•	•
Driver's seat arm rest	•	•
Exterior Styling		
Body coloured exterior door handles	•	•
Chrome radiator grille	•	•
Two tone paint (grey) lower body moulding and bumpers	•	•
Interior Styling		
Aluminium effect on front centre console (facial), A/C controls and gear knob	•	•
Aluminum effect on interior door handles and steering wheel inserts	•	•
Tinted suede cloth seats and front door trims	•	•
Two tone interior	•	•

Interior Lighting	Interior Ventilation	Hyundai Genuine Accessories	Technology	Exterior	Roof Racks and Lifestyle	Safety
Delayed fade-out front interior light	•					
Door courtesy lamps on front and sliding doors	•					
Door courtesy reflector on rear of sliding doors	•					
Green illuminated instrument cluster, dash, audio and A/C controls	•					
Illuminated cigarette lighter, surround and ash tray	•					
Illuminated ignition keyhole surround	•					
Illuminated vanity mirrors	•					
Individual map lamps for front passengers	•					
Interior light in centre and rear	•					
Dual zone air conditioning control for rear passengers	•					
Independent rear seat air conditioning control	•					
Rear 1+ type air conditioning controls	•					
Site roof vent for rear seat passengers	•					
Storage Solutions						
Bottle bags and storage compartments for 3rd row passengers	•					
Coat hook on rear assist grip handle	•					
Door pockets with bottle bulges in sliding door trims	•					
Dual door pockets in front door trims	•					
Dual glove box compartments	•					
Driver and front passenger illuminated vanity mirrors with ticket holder	•					
Front seat back pockets	•					
Retractable sunglasses compartment	•					
Retractable twin width-adjustable cup holders in front centre console	•					
Rubber-lined storage compartment on top of dashboard	•					
Bluetooth® Accessories						
Auxiliary Cable	•					
iPod® Holder	•					
Bluetooth Phone Kit	•					
DVD Entertainment	•					
Replacement Headphone (square)	•					
Replacement Remote Control	•					
Interior						
Tailored Carpet Floor Mats	•					
Dash Mat	•					
Portable Cooler* (12 volt, 15 litre)	•					
Cargo Organizer	•					
Exterior						
Alloy Judge Bar	•					
Headlight Protectors (set of 2)	•					
Tinted Sideview Mirrors (set of 2)	•					
Towbar, Towball & Trailer Wiring Harness*	•					
Rear Step with Corner Protectors	•					
Technician Step with Grab Handles	•					
Grab Handles	•					
Roof Racks and Lifestyle						
Commercial Roof Racks (2 Bar, Set)*	•					
Whisper™ Quiet Roof Racks*	•					
Commercial Roof Racks (3 Bar, Set)*	•					
Roof Racks 4th Bar	•					
Full Technician Kit - Includes Ladder Holders (6 pads, 2 straps), Conduit Holder, Key Locking security Cables & worklight/mount	•					
Roof Mounted Bike Carrier	•					
Thule Bike rack (Wheel on)	•					
Roof Mounted Kayak Holder	•					
SK & Snowboard Carrier	•					
Snowboard Carrier	•					
Safety						
First Aid Kit - Personal (4 Pockets)	•					
Rear Park Assist ⁽¹⁾	•					
*Source: AD8810702. Fuel consumption will vary depending on a combination of driving habits and the condition of the vehicle. iPAD® is a registered trademark of Bluebird®. Bluebird® is a registered trademark of Bluebird 36, Inc. Please check your Bluetooth® device's capabilities to ensure compatibility.						
1. iPAD® is a registered trademark of Apple Inc. The iPAD® holder has been designed to hold iPAD® 1, 2 or 3 securely. To ensure occupants are protected in the event of a collision, the screen protector must be fitted to the iPAD® when in use. iPAD® not included						
2. Only suitable for use with retractable seatbelt.						
3. Only suitable for use with retractable seatbelt.						
4. Maximum ball download 150kg. Towbar (1500kg braked & 750kg unbraked - petrol and CRDi automatic) or (2000kg braked & 750kg unbraked - CRDi manual). Towbar capacity subject to regulatory requirements, towbar design, vehicle design and towing equipment limitations.						
5. Load capacity = 75kg evenly distributed across 2 bars with secure lock function.						
6. Load capacity = 125kg evenly distributed across 3 bars with secure lock function.						
7. Load capacity = 125kg evenly distributed across 4 bars with secure lock function.						
8. Load capacity = 125kg evenly distributed across 4 bars with secure lock function.						
9. Park assist is designed as driver assist aid only and should not be used as a substitute for skilled driving and safe parking practices. While the park assist sensor's monitor objects on approach, there may be occasions where blind spots affect the sensitivity of the sensors and as a result the area into which the vehicle is heading must be visually monitored by the driver at all times while parking.						

HYUNDAI NEW THINKING. NEW POSSIBILITIES.

At Hyundai, we understand that life is about continual change. Our progress as a company isn't measured by our actions in the past but by how we respond to our environment and listen to our customers.

Our focus today is on producing cars that embody quality, variety, innovation and individuality... cars that are underpinned by 5-Star quality in design, build, features, accessories and safety. And as a testament to our worldwide commitment to quality, Hyundai is now one of the world's fastest growing automotive brands.

Our aim is to challenge and question the way things are done to create bigger new ideas and better quality solutions to enrich our customers' life experiences. Only by re-imagining what tomorrow's world will bring, can we meet our customers' needs now and into the future. We invite you to join us on our journey.

A NEW BENCHMARK IN SERVICE AND SUPPORT

Along with your iMax purchase, we offer you all the benefits of the award-winning Hyundai iCare program. It's part of our commitment to back every vehicle we build, so that your Hyundai ownership is an enjoyable, worry-free experience. iCare includes:

- The peace-of-mind of Australia's first five-year unlimited kilometre warranty[¥]
- Hyundai iCare Capped Price Service[#], which further reduces the cost of owning a Hyundai
- The confidence of Hyundai Roadside Assist for up to 7 years^{*}
- The convenience and exclusive benefits of myHyundai
- The support of our 24/7 Customer Care Centre
- The assurance of a complimentary 1,500km vehicle inspection
- The satisfaction of having your vehicle serviced by qualified Hyundai factory-trained technicians using only Hyundai Genuine Parts



Hyundai iMax shuttle shown in Timeless Black



The Hyundai iMax boasts inspired styling and dynamic refinement in a feature-packed shuttle.

iCare Terms

¥5 year/unlimited km warranty: 5 year unlimited km warranty only applies to new passenger vehicles used for private/domestic purposes. Vehicles used at any time for high mileage/commercial purposes are excluded. Refer to full warranty conditions. ***12 months free Roadside Assist:** Complimentary 12 months Roadside Assist when you purchase a new Hyundai vehicle (excluding rental buyers). Roadside Assist extensions are valid for 12 months from the date of scheduled maintenance service at a participating authorised Hyundai dealer. Does not apply to vehicles when they reach 84 months from original new car sale date. **#Capped Price Service:** Applies to new Hyundai vehicles first registered from 1/8/12, private and nominated small business customers only, for the first 3 years/45,000km, whichever comes first. Vehicles sold to rental, government, not-for-profit and fleet customers are not eligible. Eligible vehicles entitled to capped (maximum) price for standard scheduled maintenance (ie, logbook) services at participating authorised Hyundai dealers. **Terms and conditions apply to all warranty and Hyundai iCare offers, visit www.hyundai.com.au/icareterms for full terms, conditions, exclusions and eligibility details.**