

Technical Specifications

		FX30d	FX37	FX50S Premium
Engine				
Code		V9X	VQ37VHR	VK50VE
Fuel type		Diesel	Petrol Unleaded (95 RON)	Petrol Unleaded (98 RON)
Cylinders	Number	V6	V6	V8
Capacity	cc (litres)	2,993 (3.0)	3,696 (3.7)	5,026 (5.0)
Valvetrain		Chain driven double overhead camshafts (DOHC) with 4 valves per cylinder and hydraulic lash adjusters	DOHC, 4 valves per cylinder with microfinished camshafts. Steel intake and exhaust valves. Variable Valve Event and Lift (VVEL) for intake valves improves performance, emissions and fuel efficiency	
Intake system		High-flow tuned induction system		
Exhaust system		Dual exhaust system, Diesel Particle Filter	Dual exhaust system	
Power	kW @ rpm	175 @ 3,750	235 @ 7,000	287 @ 6,500
Torque	Nm @ rpm	550 @ 1,750	360 @ 5,200	500 @ 4,400
Transmission		Electronically controlled 7-speed automatic transmission with manual mode & magnesium paddle shifts. Driver-adaptive learning algorithm senses driving style and adjusts automatic shifting accordingly. Manual shift mode offers sequentially selected manual gearshifts		
Driven wheels		Intelligent All-Wheel Drive (AWD)		
Emissions		Euro 5		
Performance				
0-100km/h	seconds	8.3	6.8	5.8
Top speed	km/h	212	233	250
Fuel consumption				
Combined (ADR81/02)	l/100km	9.0	12.1	13.1
Extra-Urban	l/100km	7.8	9.4	9.8
Urban	l/100km	11.2	16.8	18.9
CO2	g/km	238	282	307
Steering				
Type		Vehicle-speed-sensitive variable-assist power rack and pinion		
Turning diameter	metres	11.2		
Suspension				
Front		Independent, double wishbone with coil springs over shock absorbers, stabiliser bar. S & S Premium: Continuous Damping Control (CDC)		Independent, double wishbone with coil springs over shock absorbers, stabiliser bar. Continuous Damping Control (CDC)
Rear		Independent, multi-link suspension, Dual Flow Path (DFP) shock absorbers, stabiliser bar. S and S Premium: Continuous Damping Control (CDC) and Rear Active Steer (RAS)	Independent, multi-link suspension, Dual Flow Path (DFP) shock absorbers, stabiliser bar. S and S Premium: Continuous Damping Control (CDC)	Independent, multi-link suspension, Dual Flow Path (DFP) shock absorbers, stabiliser bar. Continuous Damping Control (CDC) and Rear Active Steer (RAS)
Brakes				
Front/Rear		355 mm front/350 mm rear ventilated discs with aluminium opposed front callipers (4-piston front, 2-piston rear)		
Wheels & Tyres		20 x 8.0-inch alloy wheels (265/50 R 20) S & S Premium: 21 x 9.5-inch alloy wheels (265/45 R 21)		21 x 9.5-inch alloy wheels (265/45 R 21)



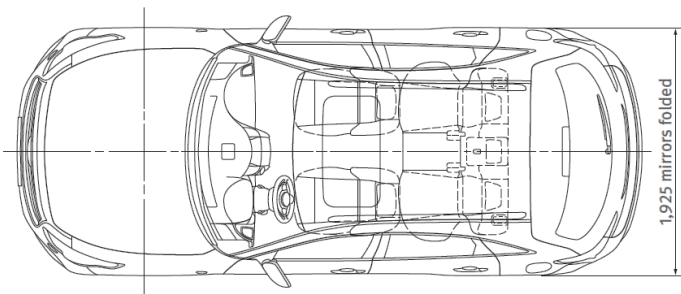
20-inch Alloy wheel



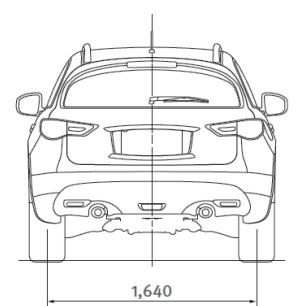
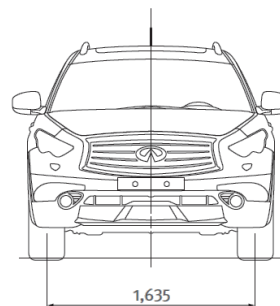
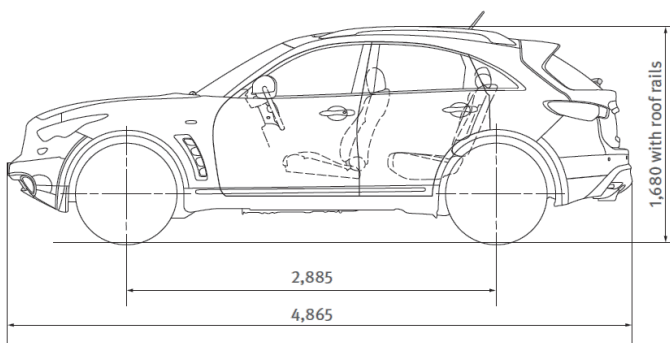
21-inch Alloy wheel

Technical Specifications

		FX30d	FX37	FX50S Premium
Capacities & Weights				
Tare mass	kg	2,036 S Premium: 2,051	1,893 S Premium: 1,908	1,992
Gross Vehicle Mass (GVM)	kg	2,690 S Premium: 2,700	2,520	2,595
Max trailer weight				
Unbraked	kg		750	
Braked	kg	2,200	2,000	2,200
Luggage volume				
Up to luggage cover, rear seats upright	litres		410	
Up to roof, rear seats folded (max volume)	litres		1,305	
Fuel capacity	litres		90	
Exterior				
Coefficient of drag		0.36 x 2.71	0.35 x 2.71	0.35 x 2.71
Overall length	mm		4,865	
Overall width				
With mirrors	mm		2,134	
Mirrors folded	mm		1,925	
Overall height				
With roof rails	mm		1,680	
Wheelbase	mm		2,885	
Track width				
Front	mm		1,635	
Rear	mm		1,640	



All dimensions are indicated in mm.



GT (Standard Specification)

Transmission
<ul style="list-style-type: none"> 7-speed automatic transmission with manual mode Adaptive Shift Control (ASC) Downshift Rev Matching (DRM) Drive Sport (DS) mode Lock-up torque converter Magnesium paddle shifters
Steering
<ul style="list-style-type: none"> Positive-mounted steering rack Variable-assist power rack-and-pinion steering Vehicle speed sensitive
Suspension
<ul style="list-style-type: none"> Independent double-wishbone front suspension Independent multi-link rear suspension
Braking
<ul style="list-style-type: none"> 4-wheel ventilated disc brakes Anti-lock Braking System (ABS) Brake Assist System (BA) Electronic Brake-force Distribution (EBD) Foot-operated handbrake pedal Opposed piston sports callipers Power assisted braking
Wheel & Tyre
<ul style="list-style-type: none"> 20-inch 5 twin-spoke alloy wheels (P265/50 R20) Space saver alloy wheel (not available on FX30d)
Body & Exterior
<ul style="list-style-type: none"> Advanced aerodynamic body Body-colour bumpers Body-colour exterior mirrors Chrome door handles Chrome fog light surrounds Chrome front grille Chrome side air vents Chrome window moulding Dual chrome exhaust tip finishers Integrated spoiler in tailgate Lightweight body components Lower side sills with chrome-finish trim Polished aluminium roof rails Scratch Shield clear coat paint

Visibility
<ul style="list-style-type: none"> Adaptive Front-lighting System (AFS) Automatic headlight levelling Bi-Xenon headlights with dusk sensor Cargo area light Dark tinted rear privacy glass Dual map lights Electric operated & folding exterior mirrors Exterior mirrors tilt when reversing Fog lights Follow-me-home headlights Foot well lamps Front, rear & side demisters Green tinted front glass Headlight washers Heated exterior mirrors Illuminated switches with pin lighting Interior auto-off lighting LED tail lights Rain sensing front wipers Rear high-mounted LED stop light Rear reading lights Rear wiper Sequential welcome lighting system
Interior Appointments
<ul style="list-style-type: none"> Aluminium pedals Analogue clock Infiniti branded stainless steel side sill plates Leather seat trim Leather wrapped steering wheel Leather & polished aluminium gear lever
Interior Features
<ul style="list-style-type: none"> 2-driver memory positions (steering wheel, exterior mirrors and seat position) 8-way power passenger's seat 10-way power driver's seat with lumbar support 12V power outlets (3) 60:40 split folding rear seats Automatic air recirculation Automatic dual-zone climate control Cargo cover Cargo net Fold-down centre armrest with tray and storage Front backrest storage Front bucket seats Front door storage pockets Front-seat centre console Front (2) & rear (2) cup holders

Interior Features (cont.)
<ul style="list-style-type: none"> Glove box with lock Heated & ventilated front seats Power tilt & telescopic steering wheel Rear floor ducts and rear vents
Comfort & Convenience
<ul style="list-style-type: none"> Auto-dimming rear view mirror Auto up/down power windows I-Key - Intelligent key with valet function & lock out Keyless engine start button Power operated rear tailgate Remote keyless entry and central locking Sunroof and sliding shade
Infotainment & Communication
<ul style="list-style-type: none"> 8-inch high resolution touch screen display 30GB HDD Navigation System 10GB Music Box® AUX connection Bluetooth® hands-free phone system Bluetooth® audio streaming Bose® 11 speaker premium sound system Infiniti Controller iPod® connection (via USB port – cable not incl.) Single-disc CD MP3/WMA compatibility Speed-sensitive volume control Steering wheel audio controls
Safety & Security
<ul style="list-style-type: none"> 3-point emergency locking retractor (ELR) seat belts Active Brake Limited Slip (ABLS) Active front head restraints Adjustable speed limiter Adjustable upper anchors for front seats Airbags (6), driver and front passenger airbags, side airbags for driver and front passenger, roof mounted full-length curtain airbags Child restraint top-tethers and ISOFIX system Cruise Control Energy-absorbing steering column Front & rear parking sensors with display Front seat belts with pre-tensioners and load limiters Rear-view camera Traction Control System (TCS) Tyre Pressure Monitoring System (TPMS) with display Vehicle Dynamic Control (VDC) (ESC) Vehicle Security System (VSS) Zone body construction

S Package (In addition to GT)

Suspension
<ul style="list-style-type: none"> Continuous Damping Control (CDC) with Auto & Sport modes
Steering
<ul style="list-style-type: none"> Rear Active Steer (RAS) (Not available on FX37)
Wheel & Tyre
<ul style="list-style-type: none"> 21-inch 6-spoke alloy wheels (P265/45 R 21)

Body & Exterior
<ul style="list-style-type: none"> Dark chrome headlight surrounds Dark chrome side air vents Lower side sills with dark chrome trim Red 'S' badge

Interior Appointments
<ul style="list-style-type: none"> Graphite roof liner (only available with Graphite & Java upholstery)
Interior Features
<ul style="list-style-type: none"> 14-way power driver's seat with lumbar support Front sports seats

S Premium Package (In addition to S Package)

Body & Exterior
<ul style="list-style-type: none"> Full engine bay cover (only available on FX50)
Infotainment & Communication
<ul style="list-style-type: none"> Around View Monitor (AVM) with corner sensors

Safety & Security
<ul style="list-style-type: none"> Forward Collision Warning (FCW) Intelligent Brake Assist (IBA) Intelligent Cruise Control (ICC)

Safety & Security (cont.)
<ul style="list-style-type: none"> Lane Departure Prevention (LDP) Lane Departure Warning (LDW) Low Speed Following (LSW)

Exterior Colours

Black Obsidian (KH3)



Moonlight White* (QAA)



Liquid Platinum* (K23)



Iridium Blue* (RAY)



Midnight Mocha* (NAE)



Umbria Twilight* (JAA)



Malbec Black* (GAC)



Graphite Shadow* (KAD)



*Metallic paint (Additional charge applies)

Upholstery & Trim

Graphite (G) with
Black Lacquer & Aluminium



Java (P) with
Black Lacquer & Aluminium



Graphite (G) with
Cello Flame Maple Wood



Java (P) with
Cello Flame Maple Wood



Wheat (C) with
Cello Flame Maple Wood

