

2017  
**Q60**



**INFINITI**

EMPOWER THE DRIVE

INFINITI

---

# EMPOWER THE DRIVE

---

We are like you. We push ourselves beyond our comfort zone. While others might be content with making better machines, we are driven to go beyond—to design cars that push human potential. We build technology to enhance your senses, striking design that demands a response, and performance that makes you feel more alive. Prepare to experience the road as it was intended.







## EXTERIOR DESIGN

# EVERY LINE SHAPES AN EMOTION

Our philosophy—and the future of INFINITI design—takes stunning shape on the all-new Q60. Emotion is boundless. So is daring design.



**ATHLETIC STANCE** Large 19-inch alloy wheels make your intentions known.

**IMPRESSION AMPLIFIED** INFINITI signature cues express a unique design language. The double-arch grille reflects a bridge where the arc of the top mirrors the arc of the bottom. Eye-inspired LED headlights give a provocative stare, while the crescent-shaped C-pillar curves forward, punctuating the exterior with dynamic detail.

**LOW PROFILE** The dynamic proportions make a purpose-built statement: Low enough to hug the ground. Wide enough to deliver impressive stability.

**AERODYNAMIC ADVANTAGE** A 0.29 coefficient of drag says as much time has been spent making this sports coupe invisible to the wind as it is striking to the eye.

**DEEP DRAMATIC CREASES** Using a revolutionary 3D stamping process that allows for aggressive creases and deep curves, the high character lines capture your imagination. Engineers even redesigned the door hinges so the leading edge tucks into the fender to provide dramatic sculpting.





## INTERIOR DESIGN

# A BODY OF ART CRAFTED EXPRESSLY FOR YOU

Tailored to accentuate the human form, the cabin celebrates the driver with bold thinking and fine modern materials.



**VISUAL REWARD** With Fine Vision electroluminescent gauges, see how quickly the needle moves under any lighting conditions. The contrast delivers information clearly, helping to improve visibility at a glance.

**FLEXIBLE DOORSTOP** Every time you get in, you'll appreciate the thoughtfulness of the segment-exclusive flexible doorstop. Designed to stay open between set positions on level surfaces, you can easily enter and exit without worrying about the door springing back on you.

**SPORT SEAT DESIGN** Crafted to blend comfort with science, the all-new driver's seat performs on a higher design level. Feel the sport-inspired difference. Deep bolsters help hold you in place. Zero gravity research led to a form and cushioning seat design that can help reduce fatigue on long drives.

**TAILORED AND ACCENTED** Craftsmanship is obvious in the laser-cut holes, which permit tighter stitching and more dynamic free-flowing shapes. Around the center console and throughout the interior, a premium trim offers an upscale modern look.

**NATURAL GRIP** Your hands move in unique ways, and a steering wheel should reflect that. This one does. Sport-inspired thumb grips are just the right shape for performance driving.





CONNECTIVITY

# IN TOUCH WITH YOUR CONNECTED WORLD

INFINITI InTouch™ makes your world flow. Your life is always moving, and INFINITI InTouch™ with Satellite Navigation seamlessly bring your world into your car. Stay ahead and in contact with voice, text, calendar, navigation and music.<sup>2</sup>



overseas model shown



**A PREMIUM CONNECTION** Every time you get into the all-new Q60, experience a seamless connection with technology that responds like the technology you hold in your hand. Connecting your smartphone to INFINITI InTouch™ with Navigation<sup>2</sup> brings your world into your car. Listen to your playlists. Navigate unfamiliar streets or call your friends.

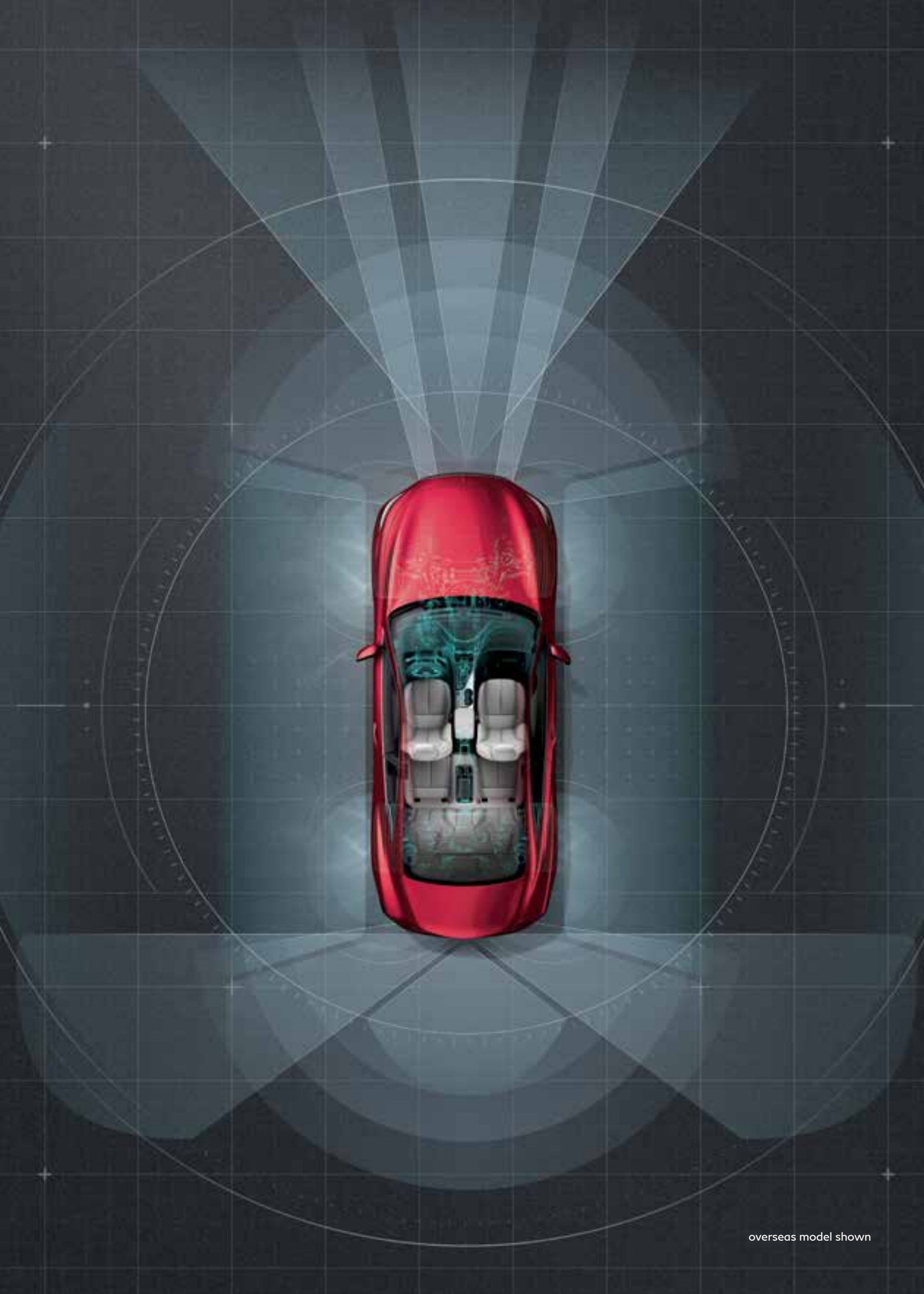
**EMPOWER YOUR TOUCH** The INFINITI Controller puts simple, intuitive control of your technology systems at your fingertips. It allows you to interact via the inputs most intuitive to you—turning ring, touch-screen, input buttons, and even steering wheel controls—responding to you rather than you adjusting to it.

**ADJUSTS TO YOU** INFINITI InTouch™<sup>2</sup> delivers an intuitive experience right from your driver's seat in the manner that best suits you. You can interact with the state-of-the-art system however you find easiest. The top screen can be operated by touch, steering wheel switches or the INFINITI Controller; it is primarily used for driving information and navigation.<sup>2</sup> The bottom screen can be operated by touch and lets you manage the infotainment systems, such as audio and climate control.

**BLUETOOTH® STREAMING AUDIO** Turn your Bluetooth®-enabled smartphone into a source of music, and listen to your top playlists over the all-new Q60's audio system.<sup>3</sup>

**HANDS-FREE VERSATILITY** With the INFINITI Bluetooth® Hands-free Phone System,<sup>3</sup> you can make and receive wireless calls using voice recognition. No fumbling. No need for a headset. Just press a button on the steering wheel.





## SAFETY

# EFFORTLESSLY EXTEND YOUR AWARENESS

A unique combination of active and passive safety innovations enhances your ability to respond instinctively.

**RECOGNISING DANGER** Predictive Forward Collision Warning,<sup>6</sup> uses radar to enable your all-new Q60 to continuously monitor not only the vehicle directly ahead of you but also the vehicle in front of that one. If your all new Q60 detects a potential risk two cars ahead, it provides an audible and visual alert.

**STRONGER AND LIGHTER** Ultra high-strength steel is twice as strong as conventional steel and is built around you to enhance your safety in case of a collision.

**RESPOND TO YOUR SURROUNDINGS** Forward Emergency Braking with Pedestrian Detection<sup>5</sup> can detect vehicles in the lane ahead of you. If deceleration is needed to help minimise a collision or even help prevent one, the accelerator pedal can be pushed up and the brakes can be applied. The system adds another dimension of security by also looking out for pedestrians that enter your vehicle's path.

**BRAKE CONFIDENTLY** The all-new Q60 braking system responds automatically to changing conditions with 4-wheel Anti-lock Braking System (ABS) and Electronic Brake force Distribution (EBD).



overseas model shown

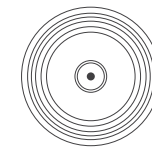




SOUND - AVAILABLE WITH OPTIONAL ENHANCEMENT PACK

# A NEW STAGE FOR A NEW SOUND

Hear it here first. The new Bose® Performance Series makes its worldwide debut on the all-new Q60. Enjoy concert-like sound that envelops you, transforming the cabin into a dynamic listening experience.<sup>1</sup>



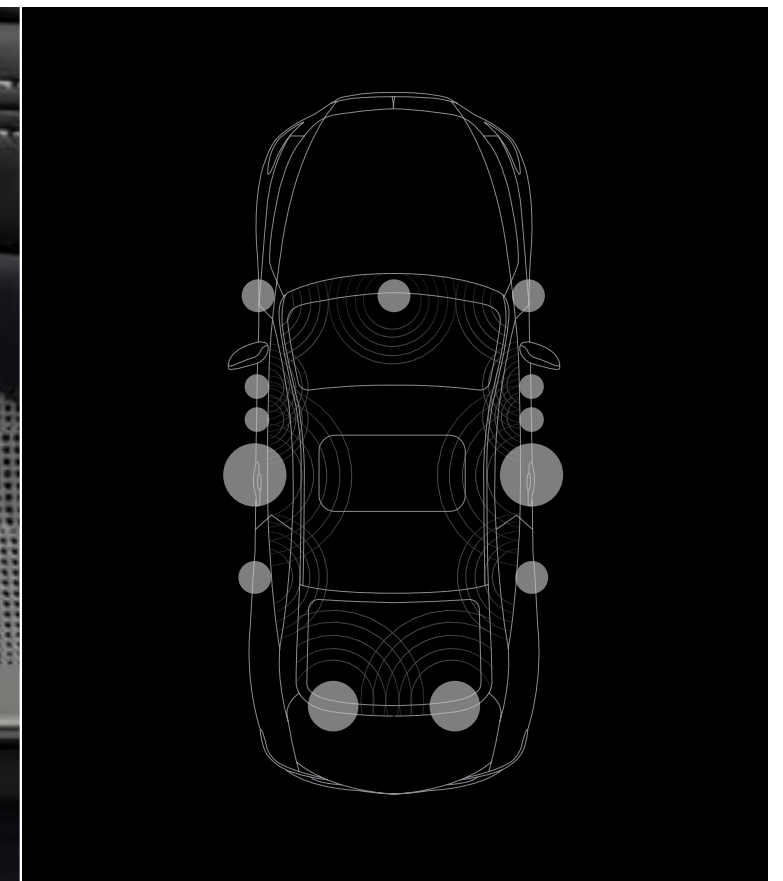
13 SPEAKER BOSE® AUDIO

**THE LATEST FROM BOSE®** For those who demand a performance-focused sound system, the new Bose® Performance Series with Advanced Staging Technology delivers. Thirteen high-performance speakers, including multiple new 10" and 6 x 9" woofers and a lightweight silk dome tweeter achieve "live performance" precision. Revel in a wider and more precise soundstage, where the acoustics are always ideal!<sup>2</sup>

**PROPRIETARY DIGITAL SIGNAL PROCESSING** A recent Bose® innovation, Advanced Staging Technology utilises advanced algorithms to dynamically direct music to their ideal locations within the cabin. Instruments and vocals have exceptional clarity. So from the driver's seat, you feel as if you're sitting in the front row at a concert.<sup>3</sup>

**ACTIVE NOISE CANCELLATION** Minimise unwanted road noise and create an optimal listening environment with Active Noise Cancellation. The technology works by neutralising distracting sounds with an acoustically opposite signal. The quieter the cabin, the better the music and conversation.<sup>1</sup>

**ACOUSTIC GLASS** Create serenity all around you. Thin sound-absorbing material between the glass layers significantly reduces noise, delivering a more personal driving experience.





DRIVER AIDS - AVAILABLE WITH OPTIONAL ENHANCEMENT PACK

# EFFORTLESSLY EXTEND YOUR ABILITIES

With available driver-enhancing technologies,  
you can now move with a new level of ease.

## RESPOND FASTER

High Beam Assist automatically dims your high beams as oncoming vehicles approach, then turns them back on when traffic clears.<sup>1</sup>

## SEE FURTHER

The Adaptive Front lighting System (AFS) improves visibility at intersections and around curves by sensing your steering and turning the headlights. Together with LED auto-leveling headlights, AFS helps you see not just ahead but around as well.<sup>1</sup>

## VIEW CLEARER

Gain a new perspective on what's around you. With the Around View<sup>®</sup> Monitor with Moving Object Detection,<sup>1,4</sup> four cameras and one virtual 360° view from above makes it easy to see and maneuver in even the tightest spaces. Peek around corners with confidence, thanks to a new front camera that looks out to the side with a sweeping near-180° view.





# Q60

## THE ULTIMATE GRAND PRIX EXPERIENCE

WHEN YOU PRE-ORDER THE ALL-NEW INFINITI Q60 RED SPORT



Be one of the first 20 customers to pre-order an INFINITI Q60 Red Sport before February 1st 2017 and you'll find yourself trackside at the Australian Grand Prix.

This INFINITI Cars Australia invitation includes trackside corporate hospitality, gourmet catering and beverages from the Atlantic Group, a prime Pit Exit location and Pit Lane walks with F1 star spotting opportunities.\*



\*terms and conditions apply overseas model shown

## THE INFINITI Q60 RED SPORT

The next chapter for INFINITI is coming. The INFINITI Q60 is a premium sports coupe that combines expressive design with exhilarating performance and dynamics. Features include:

- 3.0-liter V6 twin-turbo engine delivering 298kW and 475Nm of torque
- INFINITI's new Dynamic Digital Suspension, engineered to offer direct handling responses and high agility
- Luxurious interior thoughtfully designed for comfort, elegance and intuitive function

Visit your local INFINITI dealer for more details.



\*terms and conditions apply overseas model shown



# MAKE IT UNIQUELY YOURS

## EXTERIOR COLOURS



\* Metallic paint is optional at a cost

## WHEELS



19 X 9.0-INCH ALUMINUM-ALLOY WHEELS WITH ALL-SEASON RUN-FLAT PERFORMANCE TIRES

## INTERIOR COLOURS



## INTERIOR TRIM



INFINITI has taken care to ensure that the color swatches presented here are the closest possible representations of actual vehicle colors. Swatches may vary slightly due to the printing process and whether viewed in daylight, fluorescent or incandescent light. Please see the actual colors at your local INFINITI Retailer.

The vehicle images used in this brochure are for illustration purposes only and may be overseas models. While they are closely representative of the models available in the Australian range, minor variations may occur. Infiniti Cars Australia has used its best endeavors to ensure all images, information and specifications contained in this brochure were correct at the time of printing. The colours shown may vary from actual colours. However, Infiniti Cars Australia reserves its rights to, to the full extent permitted by the law, at its discretion at any time and without prior notice, to discontinue or change the models, features, specification, designs and prices of the products referred to in this brochure (including any optional equipment) without incurring liability whatsoever to any purchaser or prospective purchaser of any such products. Some items in this brochure are optional at an extra cost. Some options may be required in combination with other options. Infiniti has taken care to ensure the colour swatches presented here are the closest possible representation of actual vehicle colours. Swatches may vary slightly due to the printing process and whether viewed in daylight, fluorescent or incandescent light. Please see the actual colour at your local Infiniti Centre. Always consult you Infiniti Retail Centre for the latest information on models, specifications, features, prices, options and availability. Nissan Motor Co. (Australia) Pty. Ltd. t/a Infiniti Cars Australia CAN 004 663 156.

**1** Available on select models. **2** Driving is serious business. Only use Infiniti InTouch Services when safe to do so. Never program while driving. GPS mapping may not be detailed in all areas or reflect current road status. **3** Availability of specific features is dependent upon the phone's Bluetooth® support. Please refer to your phone Owner's Manual for details. Bluetooth word mark and logos are owned by Bluetooth SIG, Inc., and any use of such marks by INFINITI is under license. **4** AVM with MOD cannot completely eliminate blind spots and may not detect every object. MOD operates at vehicles speeds below 8 kph. Always check surroundings and turn to look behind you before moving vehicle. **5** FEB with Pedestrian Detection is not a replacement for responsible driving. May not provide braking or pedestrian detection in certain conditions. Limitations apply. See Owner's Manual for details. **6** PFCW is intended to warn you before a collision occurs; it cannot prevent a collision. Speed and other limitations apply. See Owner's Manual for details. **7** Air bags are only a supplemental restraint system; always wear your seat belt. Even with the occupant-classification sensor, rear-facing child restraints should not be placed in the front-passenger's seat. All children 12 and under should ride in the rear seat properly secured in child restraints, booster seats, or seat belts according to their size. Air bags will only inflate in certain accidents; see your Owner's Manual for more details. **8** Active Trace Control cannot prevent accidents or loss of control. It is the driver's responsibility to be in control of the vehicle at all times. **9** Driving is serious business and requires your full attention. If you have to use the connected device while driving, exercise extreme caution at all times so full attention may be given to vehicle operation. iPod is a registered trademark of Apple Inc. All rights reserved. iPod® not included. **10** Parking aid/convenience feature. Cannot completely eliminate blind spots. May not detect every object and does not warn of moving objects. Always check surroundings and turn to look behind you before moving vehicle. **11** The Sonar System is a convenience, not a substitute for proper parking and/or backing procedures. Always check that it is safe to do so before moving vehicle. May not detect every object. **12** Brake Assist is only an aid to assist the driver and is not a collision warning or avoidance device. It is the driver's responsibility to be in control of the vehicle at all times. **13** VDC, which should remain on when driving except when freeing the vehicle from mud or snow, cannot prevent accidents due to abrupt steering, carelessness, or dangerous driving techniques. **14** TPMS is not a substitute for regular tire pressure checks. **15** May require additional options or option packages. Bose is a registered trademark of Bose Corporation.

\* **1** A deposit of \$3,000 is required to secure Q60 Red Sport with The Ultimate Grand Prix Experience. The \$3,000 deposit represents the approximate retail value of the experience and associated administrative costs. **2** If a customer is to pre-order a Q60 Red Sport and attends The Ultimate Grand Prix Experience and cancels their pre-order prior to delivery of the vehicle, they will forfeit their deposit.



# SPECIFICATIONS

	Q60 GT
<b>POWER</b>	
<b>Engine</b>	
2.0-litre (1991cc) DOHC, turbocharged 16 valve inline 4-cylinder engine, aluminum alloy block heads with Idle Stop/Start	•
- 155kW @ 5,500 rpm	
- 350Nm @ 1,250-3,500 rpm	
<b>Transmission</b>	
7-speed automatic with Adaptive Shift Control (ASC)	•
INFINITI Drive Mode Selector - Standard, Snow, Sport, Personal	•
Hill Start Assist	•
<b>Drive Type</b>	
Rear Wheel Drive	•
<b>HANDLING</b>	
<b>Suspension</b>	
Front – Independent, double wishbone with coil springs over shock absorbers, stabiliser bar	•
Rear – Independent, multi-link suspension with Dual Flow Path® shock absorbers, stabiliser bar	•
<b>Steering</b>	
Electronic power steering (EPS)	•
Active Trace Control – adjusts vehicle braking and engine torque to help enhance cornering feel <sup>9</sup>	•
<b>Brakes</b>	
Front two-piston swing-caliper disc brakes (330mm) and rear single-piston swing-caliper disc brakes (316mm)	•
<b>Wheels and Tyres</b>	
19 x 9.0-inch, 3D, Bi-tone alloy wheels with 255/40 R19 run flat tyres	•
<b>EXTERIOR</b>	
<b>Features</b>	
Auto-levelling LED headlights with Daytime Running Lights and integrated turn signal lamp	•
Automatic on/off headlights	•
Adaptive front Lighting System (AFS) with High Beam Assist (high/low automatic change) <sup>15</sup>	◦
Front LED fog lights	•
LED rear brake lights and center high-mounted stoplight (CHMSL)	•
Follow-me-home lighting	•
Power sliding tinted glass sunroof with one-touch auto-open/close tilt feature and sliding sunshade <sup>15</sup>	◦
Remote keyless entry system with door handle touch selective unlocking of driver's door or all doors	•
Flexible doorstop	•
Remote power-opening of windows using INFINITI Intelligent Key	•
Electrically operated and folding outside mirrors with integrated LED turn signal lamp	•
Heated outside mirrors with reverse tilt-down feature	•
Comprehensive airflow management for low coefficient of drag (Cd) and zero-lift front and rear aerodynamics	•
Rain-sensing front windshield wipers	•
Speed-sensing flat blade variable intermittent front windshield wipers with drip wipe	•
Front door handle courtesy lights	•
Rear window defroster with indicator light and timer	•
Dual chrome exhaust finishers	•

• Standard ◦ Optional Enhancement Pack Equipment

	Q60 GT
<b>INTERIOR</b>	
<b>Features</b>	
INFINITI Intelligent Key with Push Button Ignition	•
Automatic dual-zone climate control with auto-recirculation and Grape Polyphenol Filter	•
Power windows with illuminated switches and one-touch auto-up/down with auto-reverse feature	•
Power door locks with automatic locking feature	•
Retained accessory power for windows and sunroof (if equipped)	•
Front sun visors with illuminated vanity mirrors	•
Dual overhead front map light with overhead sunglass storage	•
Front seatback map pockets; front door pockets	•
Electronically adjustable steering wheel with memory function – tilt and telescopic	•
Dual front and rear cup holders	•
Front armrest with storage compartment, one 12-volt power outlet, auxiliary input jacks and two USB connection ports	•
Front and rear carpeted floor mats	•
<b>Seating and Trim</b>	
Sport semi-aniline leather facing seating	•
Tailored and accented laser cut stitching throughout the cabin	•
Black Tricot roof liner	•
Brushed aluminum interior trim	•
8-way power adjustable driver's seat with power lumbar support	•
8-way power adjustable front passenger's seat	•
Flat-folding rear seat back	•
Dual occupant memory system for driver's seat, mirrors, and steering wheel settings, linked to individual INFINITI Intelligent Keys	•
Rear center tray with cup holder	•
Heated front seats	•
Leather-wrapped 3-spoke steering wheel and shift knob with aluminum accent	•
Interior ambient lighting – footwells, cup holders, door grips, inside handle, door finisher	•
Aluminum front doorsill kick plates with INFINITI logo	•
<b>Audio and Entertainment System</b>	
6-speaker audio system with AM/FM, CD with MP3 playback capability, Radio Data System (RDS), DAB radio and speed-sensitive volume control	•
Bose® Performance Series Audio System with Advanced Staging Technology, Centerpoint® 2.0 Surround, AudioPilot® 2.0 Noise Compensation, 13 speakers (featuring door-mounted metal/aluminum speaker grilles), multiple 10" and 6 x 9 woofers and a lightweight silk dome tweeter, AM/FM DAB radio, CD player with MP3 playback capability, Radio Data System (RDS) and speed-sensitive volume control <sup>15</sup>	◦
Active Noise Cancellation – only with Bose® Performance Series Audio System <sup>15</sup>	◦
Two USB connection ports for iPod® <sup>8</sup> interface, flash drive or other compatible devices	•
Streaming audio via Bluetooth® wireless technology	•
Steering wheel-mounted audio controls	•
In-glass diversity antenna	•

• Standard ◦ Optional Enhancement Pack Equipment



# SPECIFICATIONS

	Q60 GT	
<b>Instrumentation and Driver Controls</b>		
INFINITI InTouch™ dual display system screens, LCD/VGA 8-inch upper and 7-inch lower colour vehicle-information displays	•	
INFINITI InTouch™ with Satellite Navigation and live SUNA traffic updates	•	
INFINITI Voice Recognition for audio, phone and vehicle-information systems	•	
Bluetooth® Hands-free Phone System	•	
Rear View Monitor with front and rear sonar system	•	
Around View Monitor with Moving Object Detection and front and rear sonar system	○	
Multi-function trip computer with fuel consumption and range, outside temperature display, driving aids and radio	•	
Fine Vision electroluminescent gauges	•	
Auto-dimming rear-view mirror	•	
Cruise control and speed limiter with steering wheel-mounted switches	•	
<b>SAFETY FEATURES</b>		
<b>Safety</b>		
Front-seat Pre-crash Seat Belts	•	
Forward Emergency Braking with Pedestrian Detection <sup>5</sup>	•	
Predictive Forward Collision Warning (PFCW) <sup>6</sup>	•	
Driver and front-passenger side-impact supplemental air bags <sup>7</sup>	•	
Roof-mounted curtain side-impact supplemental air bags for front and rear-seat outboard occupant head protection with rollover sensor <sup>7</sup>	•	
Front seat belts with load limiters, driver and passenger's seat Emergency Locking Retractor (ELR)	•	
Second-row 3-point seat belts with ELR and load limiters	•	
Zone Body construction with reinforced passenger compartment and front and rear crumple zones	•	
ISOFIX child restraint system	•	
Lockable glove compartment	•	
Brake Assist (BA) <sup>12</sup>	•	
4-wheel Anti-lock Braking System (ABS) with Electronic Brake force Distribution (EBD)	•	
Advanced Vehicle Dynamic Control (VDC) <sup>14</sup> with Traction Control System (TCS)	•	
Tyre Pressure Monitoring System (TPMS) provides specific information for each tyre and low pressure warning <sup>14</sup>	•	
Emergency inside trunk release	•	
<b>Security</b>		
Remote keyless entry system with door handle touch selective unlocking of driver's door or all doors	•	
Vehicle Immobiliser system	•	
<b>VARIANT/ENGINE AVAILABILITY</b>		
Q60 GT	•	-

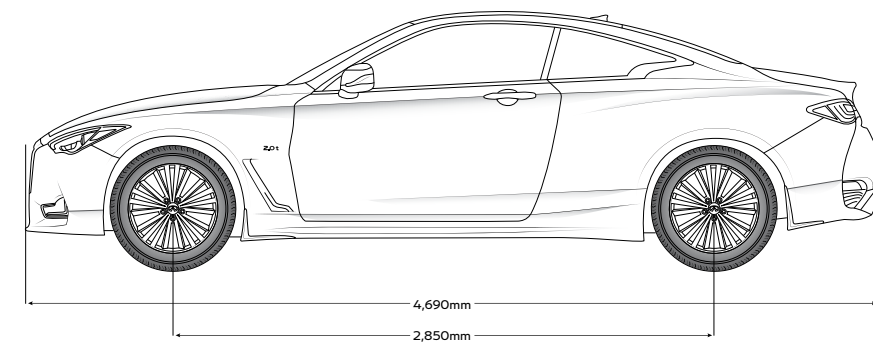
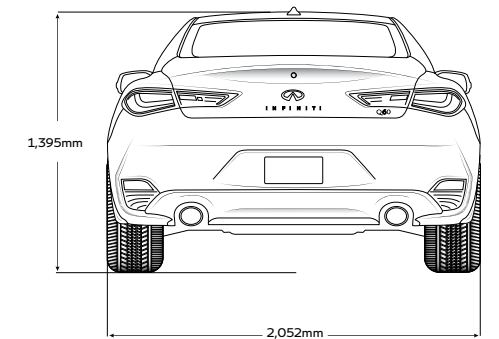
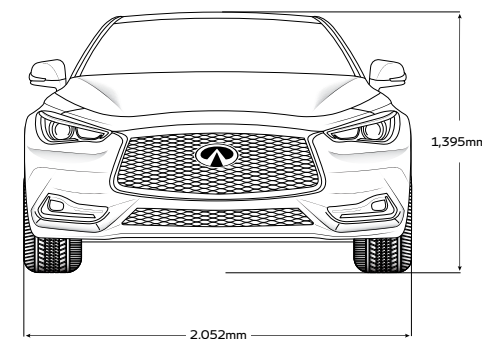
2.0l Petrol RWD 7AT    3.0l Petrol RWD 7AT

# COLOURS & TRIMS

		Q60 GT
<b>Upholstery</b>		
	<b>Semi-aniline facing leather</b>	
	<b>Graphite (Z)</b>	
<b>Exterior Colours</b>	<b>Code</b>	
Midnight Black	GAG	•
Pure White	QAW	•
Graphite Shadow	KAD	○
Iridium Blue	RAY	○
Black Obsidian	KH3	○
Liquid Platinum	K23	○
Hagane Blue	RBP	○
<b>Interior trim</b>		
	Brushed Aluminium	•

## DIMENSIONS

Overall length	4,690mm
Overall width with mirrors/mirrors folded	2,052mm / 1,850mm
Overall height (unladen)	1,395mm
Wheelbase	2,850mm





# TECHNICAL SPECIFICATIONS

Q60 GT	
<b>POWER</b>	
Fuel Type	Petrol
Displacement	1,991
Valve train	I-4 DOHC, 16 valve
Exhaust system	Dual exhaust system
Power	155 kW @ 5,500rpm
Torque	350 Nm @ 1,250 - 3,500rpm
Transmission	7-speed automatic transmission
Driven Wheels	RWD
<b>PERFORMANCE</b>	
Top speed km/h	235
Estimated fuel consumption*	
Urban*	10.2
Extra urban*	6.2
Combined*	7.7
CO2 emissions*	175
<b>HANDLING</b>	
Steering	Electronic Power Steering
Suspension	
Front	Independent, double wishbone with coil springs over shock absorbers, stabiliser bar
Rear	Independent, multi-link suspension with Dual Flow Path® shock absorbers, stabiliser bar
Suspension	
Front	Twin-piston swing-caliper disc brakes 330mm
Rear	Single-piston swing-caliper disc brakes 316mm
Wheels and tyres	19 x 9.0-inch, 3D, Bi-tone alloy wheels with 255/40 R19 run flat tyres
<b>CAPACITIES AND WEIGHTS</b>	
Curb weight (unladen)	1,698
Luggage volume	342 litres
Fuel capacity	80 litres
<b>EXTERIOR</b>	
Coefficient of drag	0.29

\* Figures tested in accordance with ADR81/02 (combined test). Figures stated for the purposes of comparison amongst vehicles only. Actual fuel consumption [and CO2 emissions] depends on factors such as traffic conditions, vehicle condition, how you drive and any accessories fitted.

# THE FORMULA FOR PARTNERSHIP




The excitement builds. The pressure mounts. Emotions surge. This is how partnership feels when technology, ingenuity and passion fulfil their promise. This is Infiniti's Formula One know-how.

We may be the ones racing, but you are the winner. Infiniti provides engineering resources and knowledge to the Renault Energy F1 power unit's Energy Recovery System. By combining our expertise in performance hybrid technologies with the knowledge and skills of the Renault Sport Formula One racing team, we can translate racing technology and driver exhilaration from the track to the road, delivering you emotionally charged vehicles with forward thinking.

Visit us online to create your ideal INFINITI, get pricing and more.

[www.infiniticars.com.au](http://www.infiniticars.com.au)

Join our community, and get the latest info.

 [facebook.com/InfinitiCarsAustralia](https://facebook.com/InfinitiCarsAustralia)

 [twitter.com/infinitiaus](https://twitter.com/infinitiaus)

 [instagram.com/infinitiaus/](https://instagram.com/infinitiaus/)