

**S-TYPE**

DATE 11/01

S303-S145

SERVICE**TECHNICAL BULLETIN**

Coolant Level Sensor Contamination –
Disable Sensor –
Service Action S145

MODEL 2000-01 MY
S-TYPE (4.0L) V8
VIN L00001-L86901

Issue:

On some 4.0L V8 S-TYPE vehicles within the above VIN range, coolant has entered the coolant level sensor causing it to fail and give false readings. It has been decided that the coolant level sensor should be disabled for those 4.0L V8 vehicles affected within the above VIN range. The coolant level sensor was intended as a indication to the driver in case the coolant level is too low, since these vehicles are not equipped with fail-safe cooling as are the 3.0L V6 vehicles.

To disable the coolant level sensor follow the workshop procedure provided in this bulletin.

Action:

Perform the following modification on all 2000-01 MY 4.0L S-TYPE vehicles within the above VIN range at the next possible service opportunity

Note: Make sure that Service Action S139, Reprogram PCM, is completed before carrying out this modification.

WORKSHOP PROCEDURE

Note: All vehicles should have the Powertrain Control Module reprogrammed to the latest level as in Service Action S139, prior to this workshop procedure.

1. Open luggage compartment.
2. Reposition luggage compartment floor carpet for access.
3. Record the following system settings **prior** to disconnecting the battery so that they may be reset to the customers preferred setting.
 - Clock time setting
 - Clock 12 / 24 hour setting
 - CD compress mode (if equipped. Radio must be in CD mode to check this setting.)
 - Navigation volume (if equipped - defaults to 14)
 - Voice feedback volume (if equipped - defaults to 14, voice training is **not** lost).
 - Transmission sport/normal mode
 - Radio presets AM/FM
 - Compass calibration and zone setting
 - Navigation memory will be retained if the battery has not been disconnected longer than 24 hrs.

The trip computers (both A & B) will reset to zero, these however cannot be returned to prior readings.

Disconnect vehicle battery. (See Workshop Manual, JTIS CD ROM section 414-01, SRO 86.15.01).

⚠ WARNING: After the battery has been disconnected, wait for one minute for the air bag system to disarm.

4. Open hood and place protection covers over fenders.
5. Remove plastic securing clips from driver's side of plenum finisher (Illustration 1).

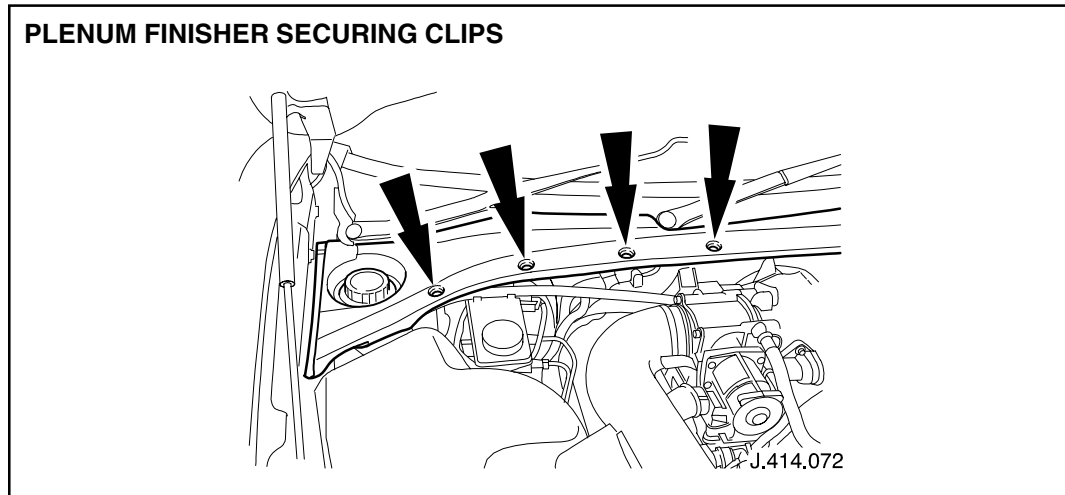


ILLUSTRATION 1

6. Reposition front edge of driver's side of plenum finisher upwards as required and disconnect coolant low-level sensor connector (Illustration 2).

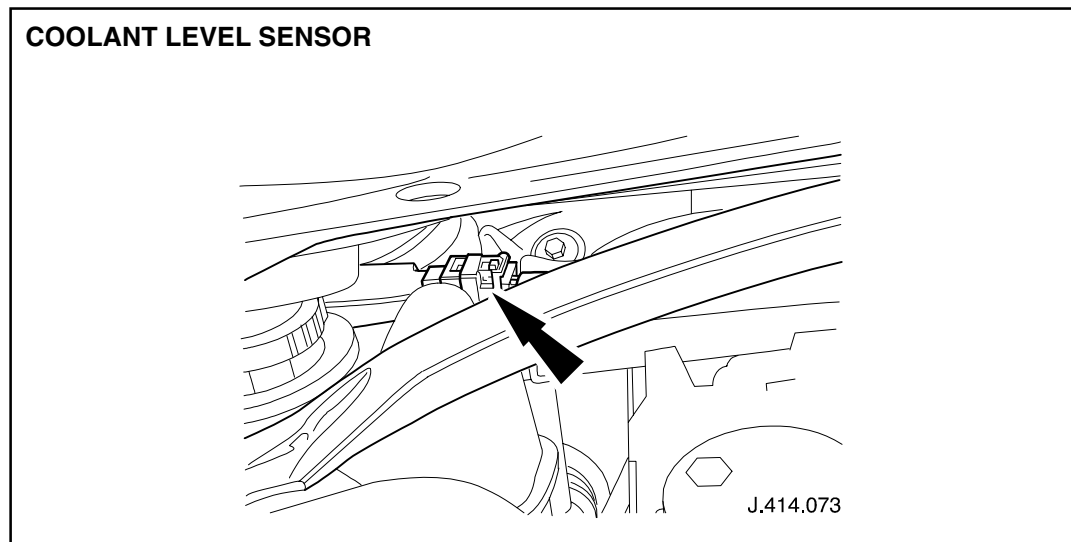


ILLUSTRATION 2

CUT CABLE CLOSE TO CONNECTOR

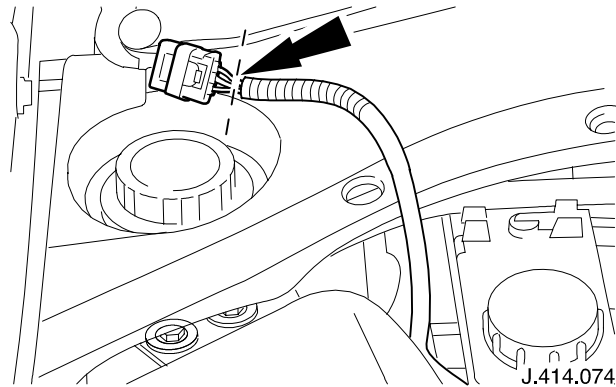


ILLUSTRATION 3

7. Reposition sensor connector plug lead for access and cut sensor cable as close to connector as possible and discard connector (Illustration 3).
8. Release plenum finisher.
9. Reposition sensor cable forward from plenum area into engine bay.

STRIP BACK CABLE WRAPPING

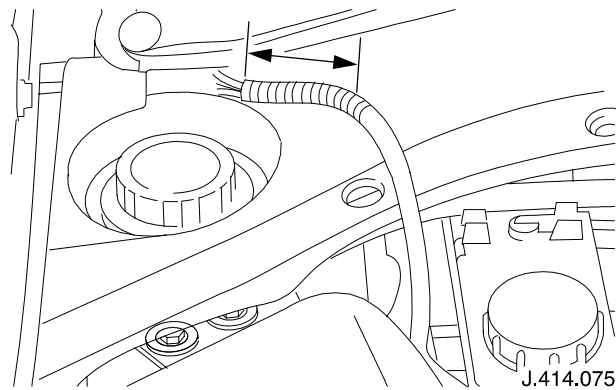


ILLUSTRATION 4

10. Strip back sensor cable tape wrapping and convoluted tubing to approximately 60 mm back from end of cable (Illustration 4).
11. Fit heat shrink tube (418-104) from harness repair kit halfway onto end of each cut wire.
12. Using a suitable hot air gun, shrink tubing onto each wire.
13. Using a suitable tool, squeeze to seal each end of heat shrink tubing before sealant sets.

14. Fold back all three wires to sensor cable convoluted tubing.
15. Using a electrical tape, tape back all three wires to sensor cable and convoluted tubing.
16. Reposition cable downward along side its main harness.
17. Using a tie strap, secure cable to its main harness.
18. Cut and remove protruding tail from tie strap.
19. Place plenum chamber plastic securing clips to front.
20. Reset plastic securing clips for re-use.
21. Install four plastic securing clips to driver's side of plenum finisher.
22. Reconnect vehicle battery. (See Workshop Manual, JTIS CD ROM section 414-01, SRO 86.15.01).
23. Reset customer preferred settings as recorded in step 3.
24. Reposition luggage compartment floor to original position. Close luggage compartment.
25. Remove fender protection covers and close hood.

Parts Information:

<u>DESCRIPTION</u>	<u>PART NUMBER</u>	<u>QTY</u>
Tie strap	ADU 9028	1
Heat shrink tubing	ZZZ 001	

Warranty Information:

Service Action S145

<u>VEHICLE</u>	<u>SUMMARY CODE</u>	<u>R.O. NUMBER</u>	<u>DESCRIPTION</u>	<u>TIME ALLOWANCE</u>
S-TYPE 2000-01 MY VIN L00001-L86901 Model codes 6300	HM	86.92.82	Disable coolant sensor -without drive-in/out time (performed with another repair.)	0.30 hrs.
S-TYPE 2000-01 MY VIN L00001-L86901 Model codes 6310	HN	86.92.82 10.10.10	Disable coolant sensor -with drive-in/out time (only repair performed)	0.30 hrs. 0.15 hrs.

NOTE: Always perform a DCS claim search first to determine whether this service action has been performed on this vehicle. The warranty selection under the vehicle inquiry will give a listing of all claims against the vehicle. If S145 appears in the fault code field, do not perform this service action.

CLAIM SUBMISSION PROCEDURE:

Warranty summary codes have been assigned to this service action in order to simplify claim submission. The dealership will be reimbursed the parts and labor time allowance as indicated.

DCS DEALERS

Submit claims using the appropriate summary code for the vehicle model and work performed. Follow standard campaign submission procedures.

NON-DCS DEALERS

Submit claims on the Recall Campaign Summary form W-25. Enter the appropriate summary code for the vehicle model and work performed in the Repair Code column. Do not use the W-1 warranty claim form.