

**S-TYPE**DATE 11/02  
Amended 03/03**S413-02****SERVICE****TECHNICAL BULLETIN****False Warning Lamp Illumination –  
Revised Instrument Cluster –  
Repair Procedure**MODEL 2003 MY  
S-TYPE  
VIN M45255-M70720

Remove and destroy Bulletin S413-02, dated 11/02.  
Replace with this Bulletin.  
The configuration procedure for the instrument  
cluster now includes steering column calibration.

**Issue:**

Owners of some 2003 MY S-TYPE vehicles within the above VIN range, may experience false warning lamp illuminations (Oil, Electronic Parking Brake, etc.) accompanied by various system malfunctions such as fuel gauges indicating empty with substantial fuel in the tank, speedometer needles dropping to zero, direction indicator warning flashing at twice the normal speed, etc.

The concern in the majority of cases has been temporarily resolved by carrying out a battery hard reset.

Instrument Cluster assemblies with revised software are now available to resolve this issue.

**Action:**

In case of a customer complaint of the above condition on a 2003 MY S-TYPE vehicle, replace the instrument cluster as described in this bulletin. If a Dealer is aware of any vehicle that has had repeat failures, the Instrument Cluster should be replaced at the first opportunity. Follow the procedure outlined below.

If the installation of an Instrument Cluster is required, note the following:

- Make a copy of the attached Odometer Disclosure Statement.
- Fill out the Odometer Disclosure Statement **completely** and fax it with the repair order to the Jaguar Cars Parts Department (201-818-9816).

## WORKSHOP PROCEDURE

1. Ensure all programmed keys and locking remotes for the vehicle are available.
2. Remove the instrument Cluster (IC) (see Workshop Manual, JTIS CD ROM, section: 413-01, SRO 88.20.01).

**Note:** Before installing the new IC, displacement of the steering column is required to read bar code label on upper face of steering column.

3. Remove drivers side dash liner undertray.
4. Remove steering column lower cowl securing screws (Illustration 1).

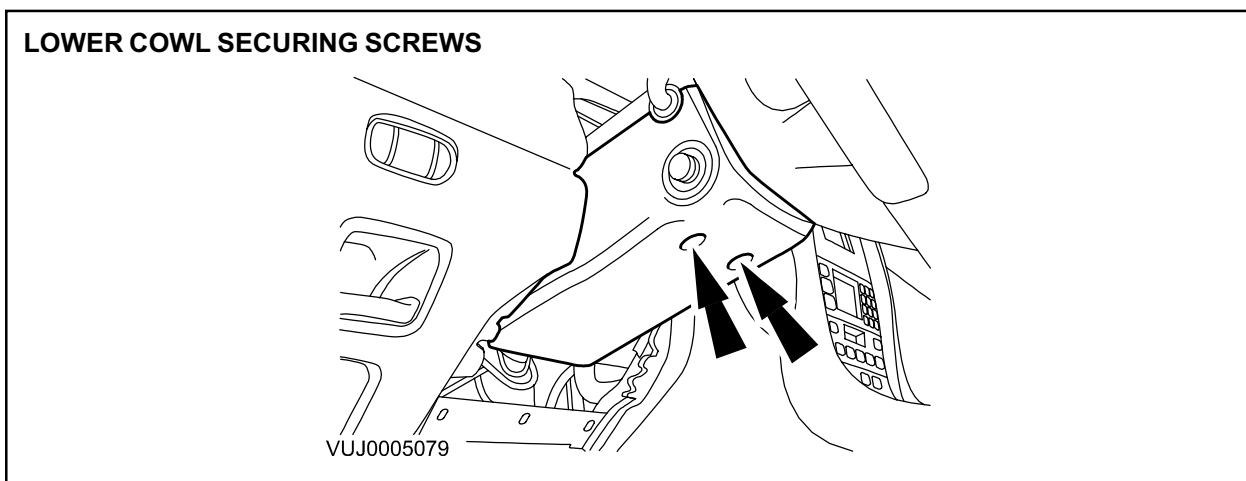


ILLUSTRATION 1

5. Remove steering column lower cowl and disconnect electrical connector from steering column control switch (Illustration 2).

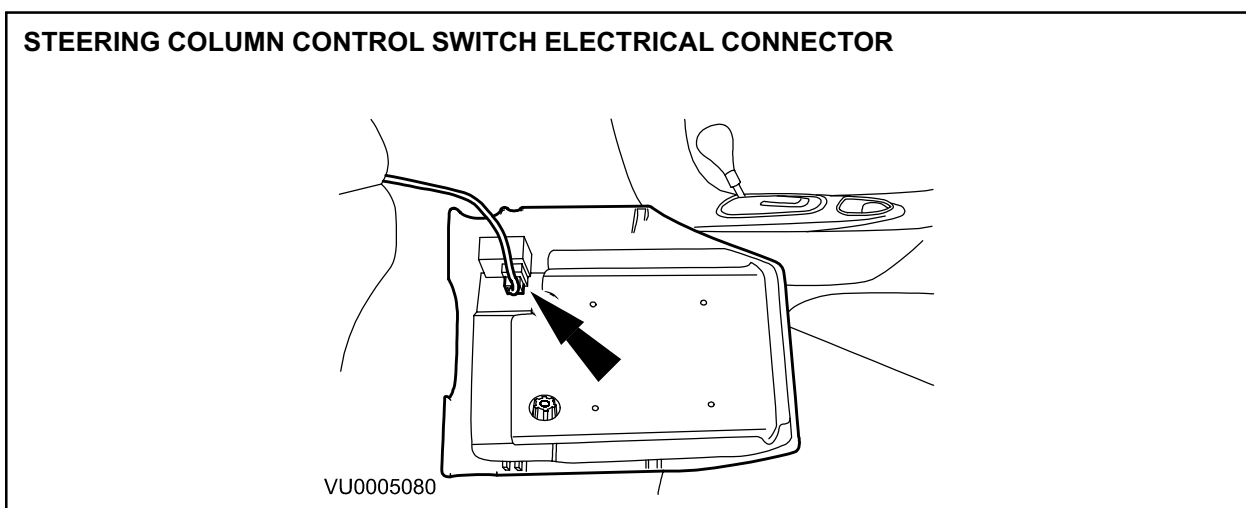


ILLUSTRATION 2

6. Remove steering column to body securing nuts (Illustration 3).

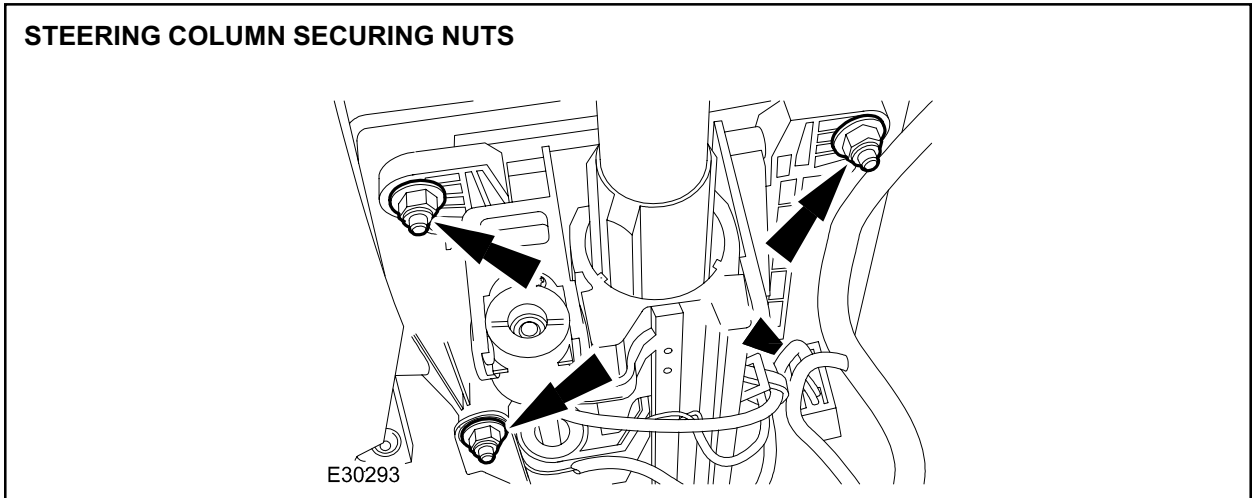


ILLUSTRATION 3

7. Lower steering column sufficient amount to read bar code label on upper face of steering column.
8. Read and make note of eleven digit alpha-numeric code from bar code label (Illustration 4). This code is necessary to complete step 17.

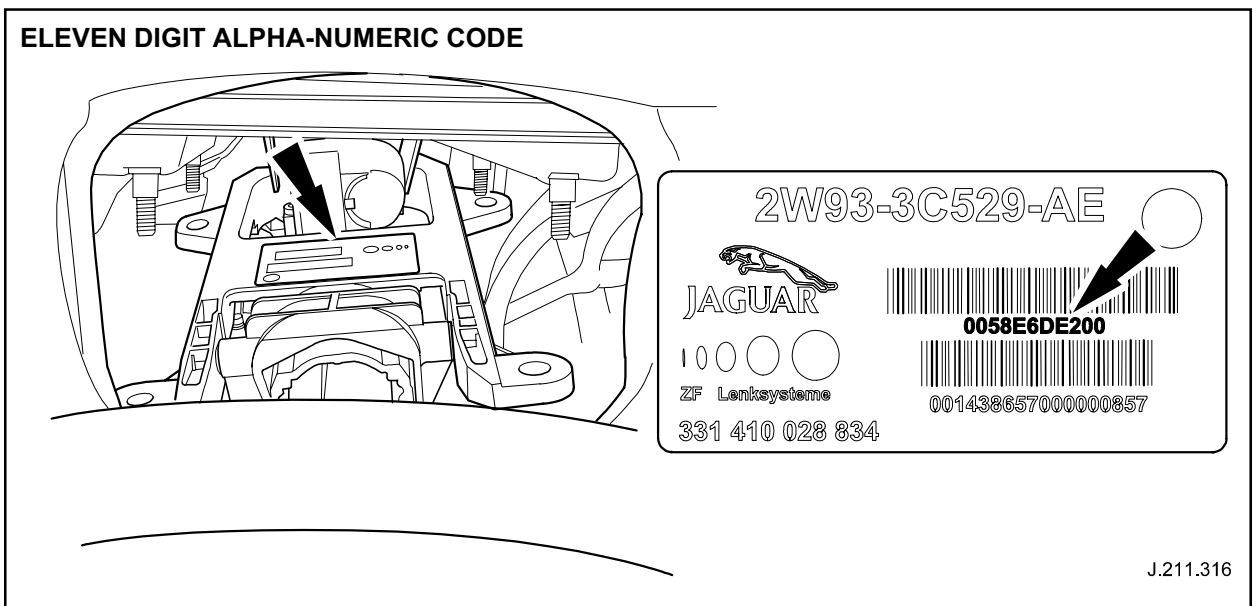


ILLUSTRATION 4

**⚠ Warning: Failure to align brake pedal crash bracket correctly may result in personal injury or component damage.**

9. Install steering column and brake pedal crash bracket to vehicle.

10. Install steering column to body securing nuts and tighten to 25Nm in sequence shown (Illustration 5).

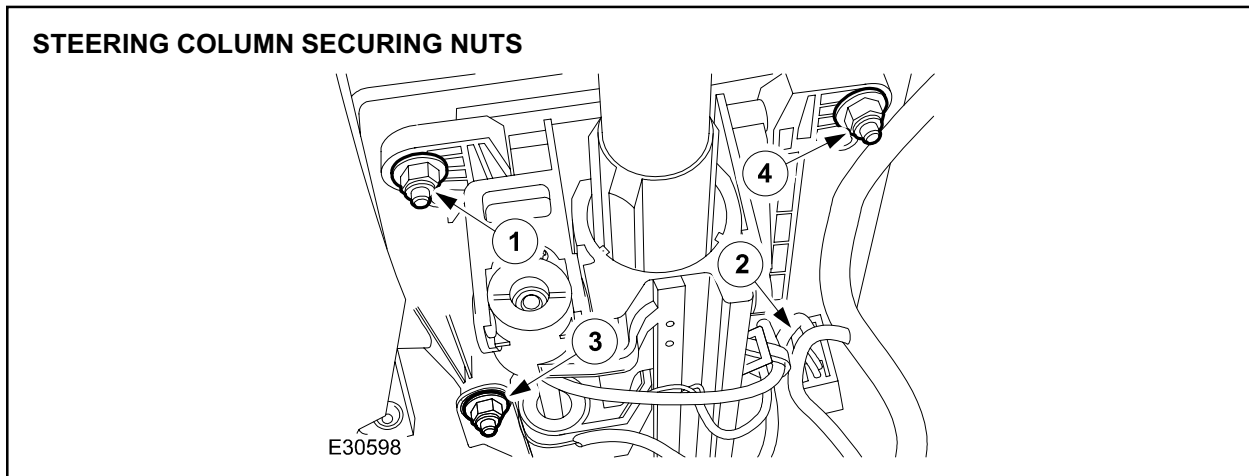


ILLUSTRATION 5

11. Install steering column control switch electrical connector (Illustration 6).

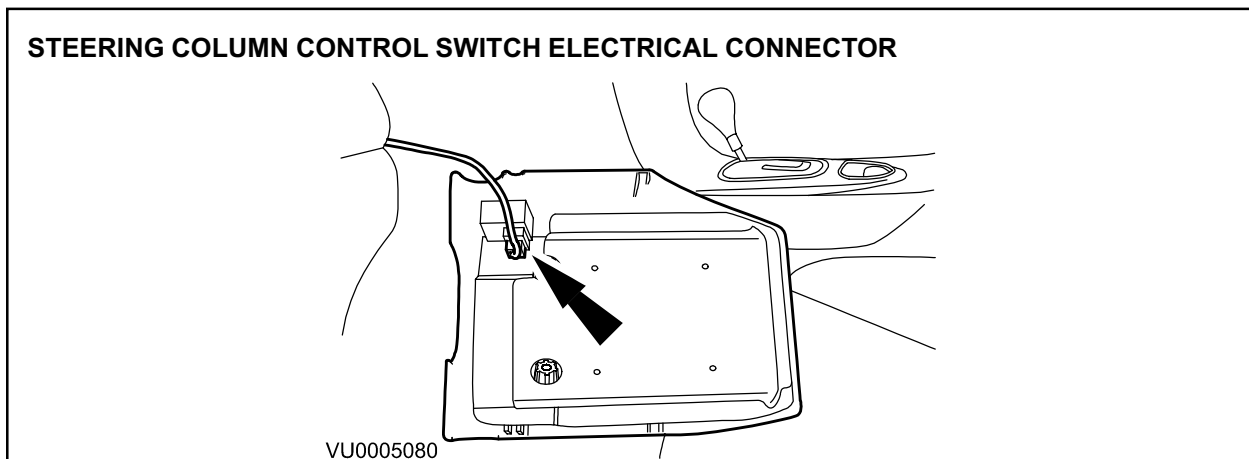


ILLUSTRATION 6

12. Install steering column lower cowl. Install and fully tighten securing screws (Illustration 7).

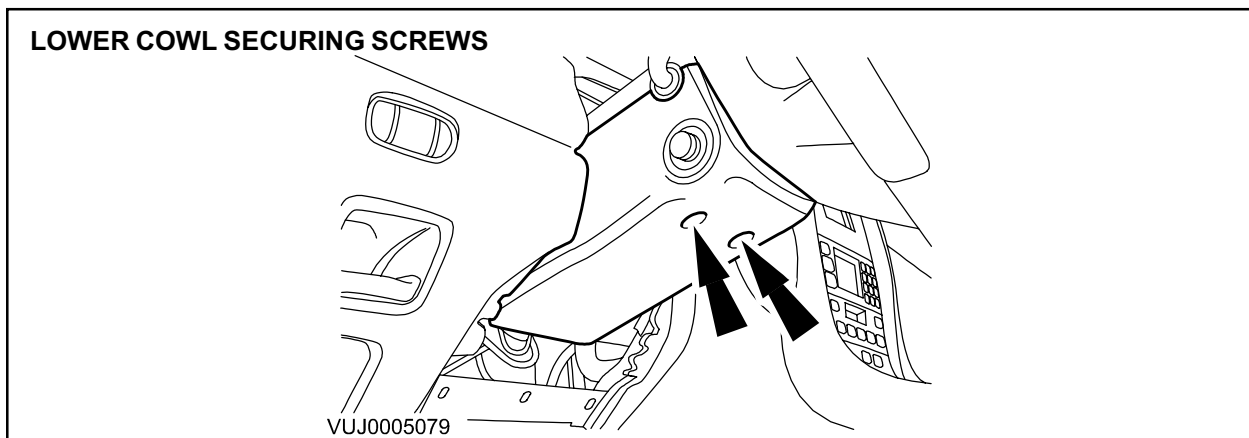


ILLUSTRATION 7

13. Install and tighten driver's side dash liner undertray.
14. Install new IC (see Workshop Manual, JTIS CD ROM, section: 413-01, SRO 88.20.01).
15. Position WDS alongside vehicle, switch 'ON' Portable Test Unit (PTU) and allow software to load.

**Note:** Worldwide Diagnostic System (WDS) must be loaded with WDS CD release JTP 759/23 or later.

16. Connect PTU to vehicle via diagnostic cable.
17. Navigate to and run 'configure New Instrument Cluster' application. You will be prompted to enter the 11-digit alpha-numeric number from step 8.
18. After the re-program of IC is complete, switch 'OFF' PTU, disconnect and return WDS to original location.

**Parts Information:**

<b>DESCRIPTION</b>	<b>PART NUMBER</b>	<b>QTY</b>
Instrument Cluster - Canada/Mexico except 4.2 SC	XR8 42731	1
Instrument Cluster - USA except 4.2 SC	XR8 42732	1
Instrument Cluster - 4.2 SC Canada/Mexico	XR8 42735	1
Instrument Cluster - 4.2 SC USA only	XR8 42736	1

**Warranty Information:**

Warranty claims should be submitted quoting the information found in the table below. This will result in payment of the stated time and, where applicable parts/miscellaneous expense codes as listed.

<b>Description</b>	<b>SRO</b>	<b>Time</b>	<b>Causal Part Number</b>	<b>Causal Part Description</b>
Install new Instrument Cluster	88.20.01	1.5 hrs	XR8 42731	Instrument Cluster



<b>ODOMETER DISCLOSURE STATEMENT</b>
--------------------------------------

This Odometer Disclosure Statement is submitted to Jaguar North America in connection with a request for a replacement Instrument Pack. The replacement is required due to a failure with the Instrument Pack or Sub Assembly because of accident damage, mechanical failure, and/or electrical faults.

I acknowledge that Jaguar North America Policy requires that an accurate reading of the vehicle mileage be programmed into all replacement Instrument Packs.

Pursuant to Jaguar North America Policy, I am enclosing along with this completed disclosure statement, a copy of the repair order reflecting the customer complaint and/or diagnosis that necessitates the replacement of the instrument pack. This information along with the current vehicle mileage, vehicle information and the vehicle owner's signature must be provided.

I, \_\_\_\_\_ (*please print*) state that the odometer currently reads \_\_\_\_\_ miles / kilometers (*circle one*) and to the best of my knowledge it reflects the actual mileage of the vehicle described below.

Year:	
Make:	
Model:	
Vehicle Identification Number (17 digits):	
Dealer Code:	
Dealer Name:	
Repair Order Number:	
Inst. Pack Part Number:	

Note: No instrument pack calibrated in miles will be supplied for Canadian market vehicles.

**Reason For Replacement** \_\_\_\_\_  
\_\_\_\_\_  
\_\_\_\_\_

Signed: \_\_\_\_\_ Date: \_\_\_\_\_ Title: \_\_\_\_\_

INTERNAL USE ONLY	
<b>DOC:</b>	<b>DATE:</b>
<b>PROGRAMMED BY:</b>	<b>DATE:</b>