

**Water Leakage Into Rear Footwells –  
 Add Drain Holes –  
 Modification Procedure**

 MODEL 2000-01 MY  
 S-TYPE

VIN L00001-L86901

**Issue:**

Some S-TYPE vehicles within the above VIN range may experience water leaking into the rear footwells during/after heavy rainfall. This is caused by water entering the inner door panel section via the door latch. This water is unable to drain away because the secondary door seal traps the water on the inner door aperture sill panel. To eliminate this, a procedure has been developed that involves drilling a drain hole. This modification entered production from VIN L86902.

**Action:**

On a customer complaint basis only, follow the procedure outlined below.

**MODIFICATION PROCEDURE**

1. Working on left side of vehicle, remove rear door aperture seal from sill flange.
2. Clean sill top surface with suitable cleaning agent.
3. Apply masking tape to area of sill to be drilled.
4. Measure from the third spot weld depression in the sill aperture flange 32.5 mm from the flange face across the sill, and draw a line on the masking tape (1, Illustration 1).
5. Measure from the third depression in the sill aperture flange 30 mm to the rear of the car and draw a line on the masking tape to cross the line drawn in step 4 (2, Illustration 1).

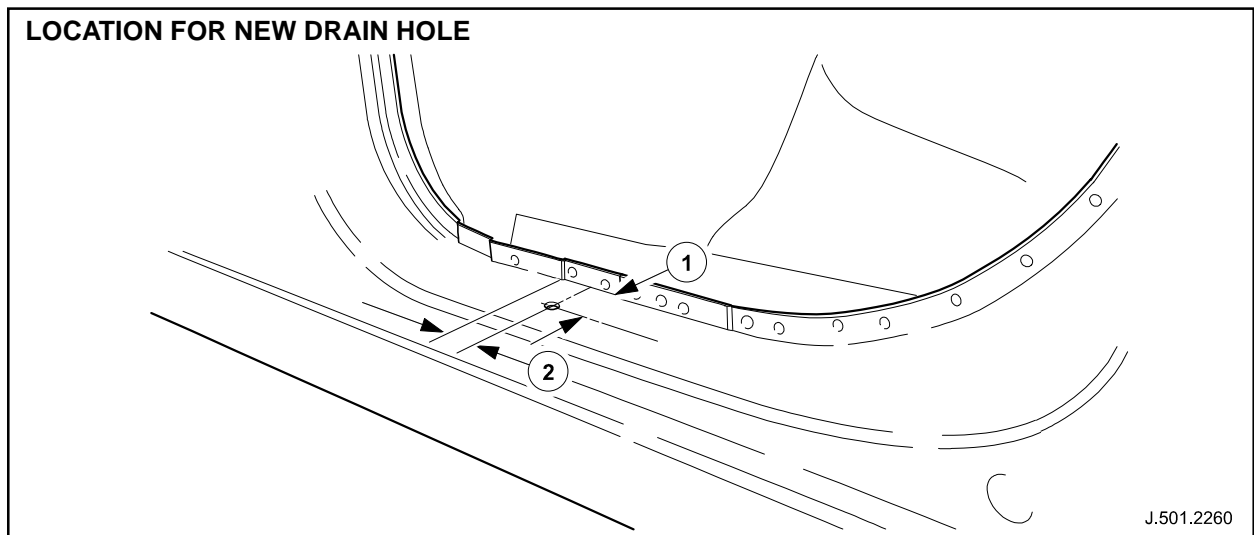


ILLUSTRATION 1

6. Drill 3mm diameter pilot hole at marked position, then drill final hole to 8mm diameter.
7. Carefully remove drilling swarf.
8. Remove and discard masking tape.
9. Carefully de-burr drilled hole.
10. Apply suitable zinc enriched paint to bare metal of drilled hole and allow to dry.
11. Smear suitable silicone grease to edge of drilled hole.

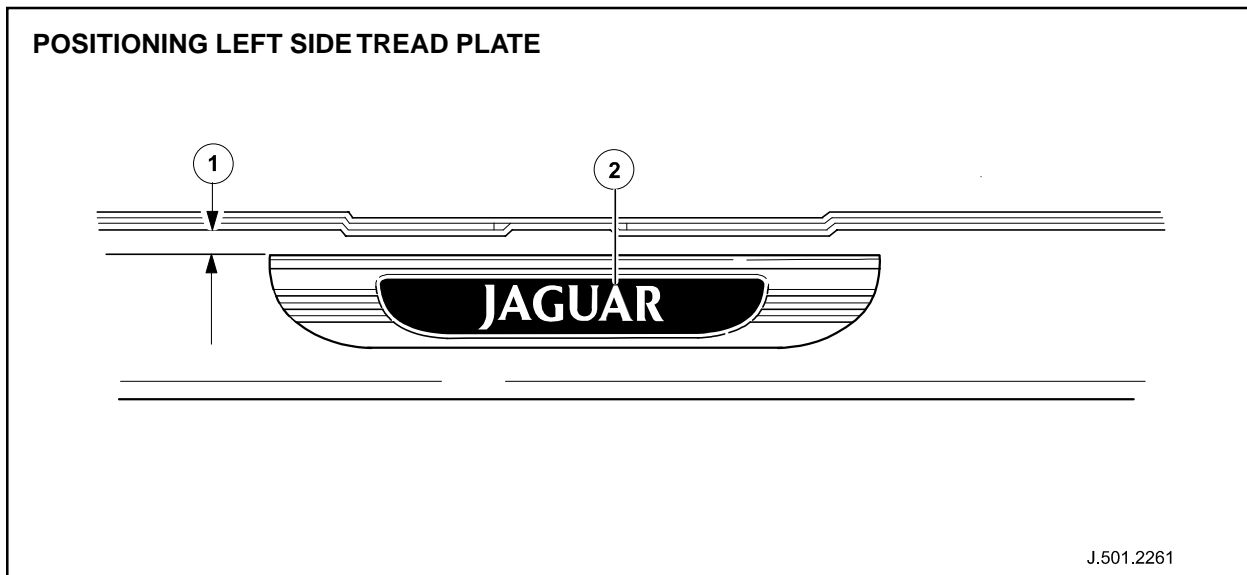


ILLUSTRATION 2

12. Measure 10 mm (1, Illustration 2) from the sill aperture flange across the sill.
13. Remove and discard backing from tread plate adhesive pads.
14. Using the new sill tread plate, align the second 'A' in the Jaguar emblem (2, Illustration 2) with the rear edge of the sill aperture flange and install the tread plate on the sill.
15. Reposition and fully seat the rear door aperture seal on the sill flange.
16. Close rear door.
17. Working on right side of vehicle, repeat steps 1 to 11 on right side rear sill.

18. Measure 10 mm (1, Illustration 3) from the sill aperture flange across the sill.
19. Remove and discard backing from tread plate adhesive pads.
20. Using the new sill tread plate, align the first 'A' in Jaguar emblem (2, Illustration 3) with the rear edge of the sill aperture flange and install the tread plate to sill.

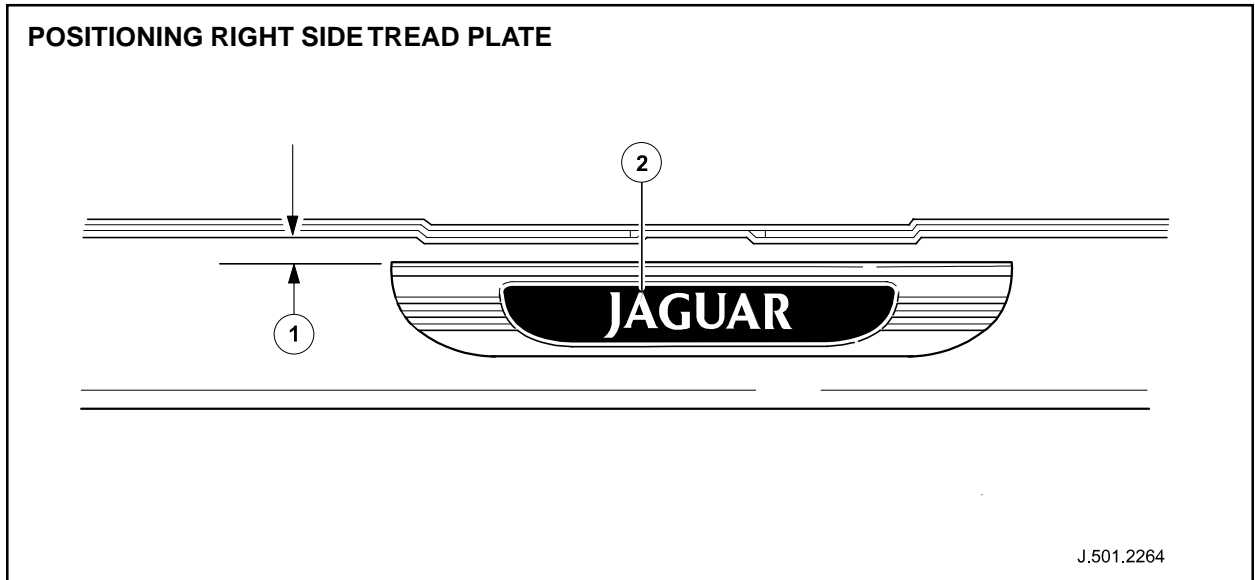


ILLUSTRATION 3

21. Reposition and fully seat the rear door aperture seal on the sill flange.
22. Close rear door.
23. Perform a water test.

**Parts Information:**

<u>DESCRIPTION</u>	<u>PART NUMBER</u>	<u>QTY</u>
Rear sill tread plate	XR8 24885	2

**Warranty Information:**

<u>FAULT CODE</u>	<u>R.O. NUMBER</u>	<u>DESCRIPTION</u>	<u>TIME ALLOWANCE</u>
WP JD 07	76.94.07	Add water drain holes in rear sills	0.3 hrs.