

**Customer Intermittently Locked Out Of
Vehicle After Closing Door –
Install New Door Handle Damper**

MODEL 2001 MY-ON
S-TYPE
VIN M23023-ON

Issue:

Some 2001 MY-ON S-TYPE vehicles, customers may have a concern of intermittently being locked out of the vehicle after closing a front door.

This problem may be caused by the interior handle springing back and activating the central locking. To address this concern, a new damper can be installed to both front interior door handles.

Action:

In case of a customer complaint of the above condition on a 2001 MY-ON S-TYPE vehicle, follow the workshop procedure outlined below.

WORKSHOP PROCEDURE

1. Remove left hand front door trim panel (see Workshop Manual, JTIS CD ROM, section: 501-05, SRO 76.34.01).

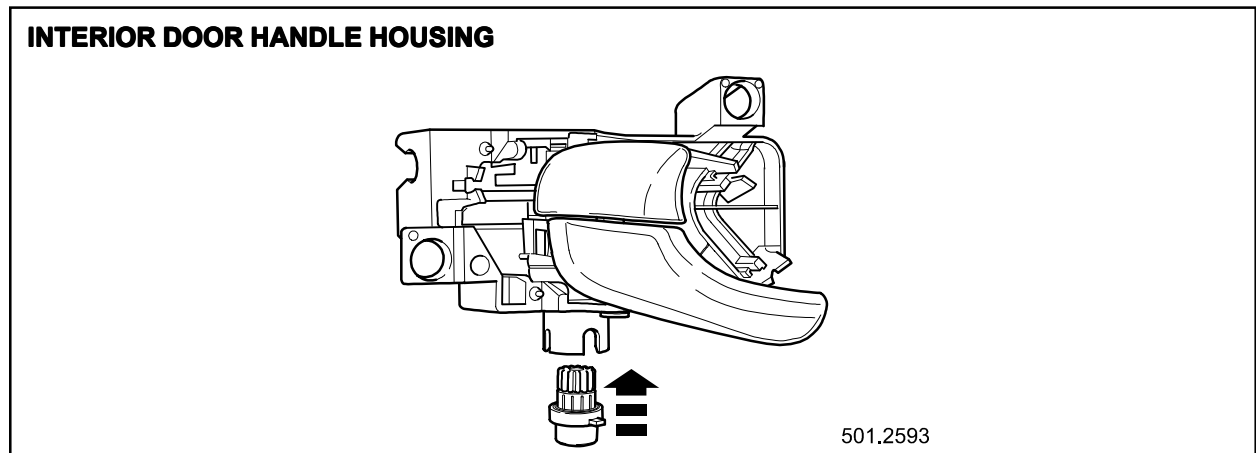


ILLUSTRATION 1

2. Install and fully seat the new damper into the interior door handle housing, ensure damper is located with a definite click (Illustration 1).
3. Install left hand front door trim panel (see Workshop Manual, JTIS CD ROM, section: 501-05, SRO 76.34.01).
4. Carry out steps 1 to 3 for the right hand side.

NOTE: The information in Technical Bulletins is intended for use by trained, professional technicians with the knowledge, tools, and equipment to do the job properly and safely. It informs these technicians of conditions that may occur on some vehicles, or provides information that could assist in proper vehicle service. The procedures should not be performed by "do-it-yourselfers." Do not assume that a condition described affects your car. Contact a Jaguar retailer to determine whether the Bulletin applies to your vehicle.

Parts Information:**DESCRIPTION**

Interior door handle damper

PART NUMBER

XR8 49116

QTY

2

Warranty Information:

Warranty claims should be submitted quoting the information found in the table below. This will result in payment of the stated time and, where applicable parts/miscellaneous expense codes as listed.

Description	SRO	Time	Causal Part Number
Install new interior door handle dampers	76.94.37	0.3 hrs.	XR8 49116