



XJ

AUSTRALIAN SPECIFICATION AND PRICE GUIDE







IMPORTANT NOTICE

Jaguar Cars Limited is constantly seeking ways to improve the specification, design and production of its vehicles and accessories and alterations take place continually. Whilst every effort is made to produce up-to-date literature, this Australian specification and price guide should not be regarded as an exactly up-to-date guide to current specifications and option prices in Australia. Jaguar Cars Limited, in consultation with Jaguar Australia, reserves the right to alter these specifications and option prices at any time. This specification and price guide does not constitute an offer for the sale of any particular vehicle. Distributors and dealers are not agents of Jaguar Cars Limited or Jaguar Australia and have absolutely no authority to bind Jaguar Cars Limited or Jaguar Australia by any express or implied undertaking or representation. Illustrations in this specification and price guide may include optional extras.

This Australian specification and price guide should be read in conjunction with Jaguar brochure Publication number JLM/02/37/04/0813, but it is important to note that Jaguar brochure JLM/02/37/04/0813 only represents a general global specification, and in the event of any inconsistency, the details contained within this Australian specification and price guide apply in Australia.

Comparisons are based on manufacturer's own data and testing.

OPTION PRICES

All option prices shown in this Australian specification and price guide are for factory fitted options. They include Luxury Car Tax (LCT) and are Recommended Retail Prices.

The Recommended Retail Prices set out or referred to herein are recommended prices only and there is no obligation to comply with the recommendation.

The Bluetooth® word mark and logos are owned by the Bluetooth SIG, Inc. and any use of such marks by Jaguar Land Rover Limited is under license.

iPod, iPod touch and iPad are trademarks of Apple Inc., registered in the U.S. and other countries.

BlackBerry® is a trademark of Research In Motion Limited and is registered in the U.S. and may be pending or registered in other countries.

Dolby and Pro Logic are registered trademarks of Dolby Laboratories.

Meridian Audio is a registered trademark of Meridian Audio LTD.

Jaguar Australia Locked bag 2213,
North Ryde NSW 1670,
Phone: 1800 450 683 or 02 9020 1400
Fax: 02 9020 1794
jaguar.com.au

Printed in Australia January 2014/14MY
JLM/37/43/04/1013

EXTRAORDINARY LUXURY

Beauty, all-round refinement and sheer exhilarating power. XJ is pure Jaguar. Pure passion in motion – the sweep of XJ's streamlined roof is fashioned to slice the air like a blade. Its strong lightweight aluminium body connects with the driver to provide agility, superlative handling and to make the experience sublime. This, combined with its innovative technology, allows XJ to react to road conditions and other cars alike. Together they give the car its unique driver focus. XJ was created for the serious driver. And because there is ample space to stretch out and relax in a cabin that is crafted to pamper, XJ was created for the serious passenger too. XJ appeals to everyone's senses. It looks alive. It feels alive. This is the extraordinary XJ.

The following pages provide details and specifications for the XJ range. In-depth descriptions of key features and available options are designed to give you all the information you require to create the XJ that's just right for you. Please use this guide in conjunction with the XJ main brochure's colour and trim sections for illustrations of colour and materials available.

Alternatively, you may prefer to use the XJ configurator at jaguar.com.au to specify and price your new car.

ENGINE CHOICES	4	XJ SUPERSPORT	
COMPARE STANDARD AND OPTIONAL FEATURES	6	Key Features and Option Prices	18
		Alloy Wheel Choices	19
		Colour and Trim Choices	20
XJ PREMIUM LUXURY		XJR	
Key Features and Option Prices	10	Key Features and Option Prices	21
Alloy Wheel Choices	12	Alloy Wheel Choices	22
Colour and Trim Choices	13	Colour and Trim Choices	23
XJ PORTFOLIO		ACCESSORIES	24
Key Features and Option Prices	14	GLOSSARY	32
Alloy Wheel Choices	16		
Colour and Trim Choices	17		

ENGINE CHOICES

ENGINES		JAGUAR 3.0 LITRE V6 202kW TURBOCHARGED DIESEL	JAGUAR 3.0 LITRE V6 250kW SUPERCHARGED PETROL
Capacity	cc	2,993	2,995
Maximum power	kW	202	250
@rev/min		4,000	6,500
Maximum torque	Nm	600	450
@rev/min		2,000	3,500 - 5,000
Transmission		8-speed automatic	8-speed automatic
PERFORMANCE			
0-100 km/h	seconds	6.4	5.9
Top speed	km/h	250 limited	250 limited
FUEL CONSUMPTION - STANDARD WHEELBASE*			
Urban	l/100km	7.1	13.5
Extra Urban	l/100km	5.5	7.4
Combined	l/100km	6.1	9.6
Carbon dioxide emissions	g/km	159	224
Tank capacity	ltr approx.	82	82
FUEL CONSUMPTION - LONG WHEELBASE*			
Urban	l/100km	7.7	13.5
Extra Urban	l/100km	5.6	7.4
Combined	l/100km	6.3	9.6
Carbon dioxide emissions	g/km	167	224
Tank capacity	ltr approx.	82	82
ENGINE AVAILABILITY			
XJ Premium Luxury		●	●
XJ Portfolio		—	●
XJ Supersport		—	—
XJR		—	—

● Standard — Not available

*All fuel economy data has been measured in accordance with current Australian ADR 81/02 test procedures. Under normal use a vehicle's actual fuel consumption may differ from that achieved through the test procedure, depending on the driving technique, road and traffic conditions, environmental factors and vehicle condition. If in doubt, please consult your dealer; the information is correct given at the time of publication. Please consult your local Jaguar dealer for details of charges associated with option fitment. Weights reflect vehicles to standard specifications. Optional extras increase weight.

ENGINES		JAGUAR 5.0 LITRE V8 375kW SUPERCHARGED PETROL	JAGUAR 5.0 LITRE V8 404kW SUPERCHARGED PETROL
Capacity	cc	5,000	5,000
Maximum power	kW	375	404
@rev/min		6,000 - 6,500	6,000 - 6,500
Maximum torque	Nm	625	680
@rev/min		2,500 - 5,500	2,500 - 5,500
Transmission		8-speed automatic	8-speed automatic
PERFORMANCE			
0-100 km/h	seconds	4.9	4.6
Top speed	km/h	250 limited	280 limited
FUEL CONSUMPTION - STANDARD WHEELBASE*			
Urban	l/100km	16.9	16.9
Extra Urban	l/100km	8.6	8.6
Combined	l/100km	11.6	11.6
Carbon dioxide emissions	g/km	270	270
Tank capacity	ltr approx.	82	82
FUEL CONSUMPTION - LONG WHEELBASE*			
Urban	l/100km	16.9	—
Extra Urban	l/100km	8.6	—
Combined	l/100km	11.6	—
Carbon dioxide emissions	g/km	270	—
Tank capacity	ltr approx.	82	—
ENGINE AVAILABILITY			
XJ Premium Luxury		—	—
XJ Portfolio		—	—
XJ Supersport		●	—
XJR		—	●

● Standard — Not available

*All fuel economy data has been measured in accordance with current Australian ADR 81/02 test procedures. Under normal use a vehicle's actual fuel consumption may differ from that achieved through the test procedure, depending on the driving technique, road and traffic conditions, environmental factors and vehicle condition. If in doubt, please consult your dealer; the information is correct given at the time of publication. Please consult your local Jaguar dealer for details of charges associated with option fitment. Weights reflect vehicles to standard specifications. Optional extras increase weight.

COMPARE STANDARD AND OPTIONAL FEATURES

	XJ PREMIUM LUXURY	XJ PORTFOLIO	XJ SUPERSPORT	XJR
POWERTRAIN AND DRIVING DYNAMICS				
8-speed electronic automatic transmission with Jaguar Sequential Shift™	●	●	●	●
JaguarDrive Control™ with Winter Mode and Dynamic Mode	●	●	●	●
JaguarDrive Selector™	●	●	●	●
Dynamic Stability Control (DSC) with Trac DSC mode	●	●	●	●
Active Differential ¹	—	—	●	●
Electric Parking Brake (EPB)	●	●	●	●
Adaptive Dynamics	●	●	●	●
Cruise Control with Automatic Speed Limiter (ASL)	●	●	●	●
Intelligent Stop/Start system	●	●	●	●
Adaptive Cruise Control (ACC) with Forward Alert and Advanced Emergency Brake Assist	○	○	○	○
Red painted brake calipers with Jaguar script	P	P	○	●
Carbon fibre engine cover	—	—	—	○
SAFETY AND SECURITY				
Jaguar Smart Key System™ - keyless entry	●	●	●	●
Rear parking aid with Touch-screen visual indicator	●	●	●	●
Front parking aid with Touch-screen visual indicator	●	●	●	●
Reverse park camera with guidance	●	●	●	●
Pedestrian Contact Sensing System™ - Automatically deployable bonnet system	●	●	●	●
3-flash lane change indicators	●	●	●	●
Remote control central locking with deadlocking and drive-away locking function	●	●	●	●
Power boot lid (open and close)	●	●	●	●
Airbags front and side (driver and front passenger)	●	●	●	●
Side curtain airbags	●	●	●	●
Front seats - whiplash protection system	●	●	●	●
Seat belt reminder (front and rear)	●	●	●	●
Blind Spot Monitor	○	○	○	○
Tyre Pressure Monitoring System (TPMS) ²	○	○	○	○
Emergency Brake Assist (EBA)	●	●	●	●

	XJ PREMIUM LUXURY	XJ PORTFOLIO	XJ SUPERSPORT	XJR
EXTERIOR FEATURES				
Twin tailpipes with chrome finishers	●	●	●	—
Sports exhaust with quad tailpipes	—	—	—	●
Heated rear window with timer	●	●	●	●
Heated front screen with timer	●	●	●	●
Rain sensing windscreen wipers	●	●	●	●
Bi-function HID Xenon headlamps with washers and front LED signature lights	●	●	●	●
Bi-function HID Xenon headlamps with Adaptive Front Lighting, cornering lamps and intelligent high beam	○	●	●	●
LED tail lamps	●	●	●	●
Solar attenuating, hydrophobic and acoustically laminated glass	●	●	●	●
Exterior mirrors with electric adjustment, heated, power folding, auto dimming with puddle lamps and memory function	●	●	●	●
Approach illumination (automatic via remote)	●	●	●	●
Bonnet louvres	—	—	—	●
Front splitter	P	P	P	●
Rear spoiler	P	P	P	●
Unique 'R' side sills	—	—	—	●
Soft door close	●	●	●	●

● Standard ○ Option — Not available P Option as part of pack

¹Only available on 5.0 litre V8 Supercharged petrol engine ²Not available with 18" Meru alloy wheels

Please consult your local Jaguar dealer for details.

	XJ PREMIUM LUXURY	XJ PORTFOLIO	XJ SUPERSPORT	XJR
INTERIOR THEMES				
Soft grain leather seats*	●	—	—	—
Soft grain leather seats with contrast stitch and piping (with headrest leaper)*	—	●	—	—
Soft grain leather sports seats with 'R' logo*	—	—	—	●
Semi-aniline leather seats with contrast stitch and piping (with headrest leaper)*	—	○	●	○
Soft feel upper fascia, door top roll, armrests and centre console lid	●	—	—	—
Soft grain leather on upper fascia, door top roll, door armrest and centre console lid*	○	—	—	—
Soft grain leather stitched and tailored upper fascia, door top roll, door pannier, door armrest, centre console lid with twin needle stitching*	P	●	—	●
Soft grain leather stitched and tailored upper fascia, door top roll, door pannier, door armrest, centre console lid with twin needle stitching, Seat valance and Rear A/C vent*	—	P	●	P
Morzine headlining	●	—	—	—
Suedecloth headlining	P	●	—	●
Soft grain leather headlining	—	P	●	P
Premium carpet mat set (front and rear)	●	●	—	●
Logo Premium carpet mat set (front and rear)	—	—	●	—
Stainless steel sill tread plates - Debossed Jaguar script	●	●	—	●
Illuminated stainless steel tread plates	P	P	●	P
Bright finish accelerator and brake pedals	P	P	●	●

● Standard ○ Option — Not available NCO No Cost Option P Option as part of pack

¹Wood and leather steering wheel is only available with gloss wood veneers

*Leather seats/interiors/steering wheels (all models) may include some non-leather materials on certain surfaces

Please consult your local Jaguar dealer for details.

	XJ PREMIUM LUXURY	XJ PORTFOLIO	XJ SUPERSPORT	XJR
INTERIOR FEATURES				
Standard seats - Electric front seat adjustment (12x12 way) including fore/aft, cushion height, squab recline, cushion tilt and 4-way lumbar adjust. Heated front and rear seats. Driver's 3-position seat memory (Standard on SWB Premium Luxury only)	●	—	—	—
Standard seats - Electric front seat adjustment (12x12 way) including fore/aft, cushion height, squab recline, cushion tilt and 4-way lumbar adjust. Heated and cooled front and rear seats. Driver's 3-position seat memory (Optional on SWB Premium Luxury only)	○	—	—	—
Standard seat - Electric front seat adjustment (18x18 way) including fore/aft, cushion height, squab recline, cushion tilt, 4-way lumbar, adjustable bolsters, cushion extension and powered headrests. Heated and cooled front and rear seats. Driver's and front seat passenger's 3-position seat memory	—	●	—	—
Standard seats - Electric front seat adjustment (20x20 way) including fore/aft, cushion height, squab recline, cushion tilt, 4-way lumbar, adjustable bolsters, cushion extension and powered headrests. 5 massage functions with 5 intensity settings. Heated and cooled front and rear seats. Driver's and front seat passenger's 3-position seat memory (Standard on LWB Premium Luxury & Supersport only. Optional on SWB Premium Luxury)	●	—	●	—
Sport seat - Electric front seat adjustment (18x18 way) including fore/aft, cushion height, squab recline, cushion tilt, 4-way lumbar, adjustable bolsters, cushion extension and powered headrests. Heated and cooled front and rear seats. Driver's and front seat passenger's 3-position seat memory	—	—	—	●
Standard seats - Electric front seat adjustment (20x20 way) including fore/aft, cushion height, squab recline, cushion tilt, 4-way lumbar, adjustable bolsters, cushion extension and powered headrests. 5 massage functions with 5 intensity settings. Heated and cooled front and rear seats. Driver's and front seat passenger's 3-position seat memory and Headrest Leapers	—	○	—	P
Front and rear electric windows with one-touch open/close and anti-trap	●	●	●	●
Panoramic glass roof with electric blinds	●	●	●	●
Steering column with electric adjustment for height and reach	●	●	●	●
Auto-dimming interior rear view mirror	●	●	●	●
Front centre console with illuminated stowage, auxiliary power socket and armrest	●	●	●	●
3-spoke soft grain leather heated steering wheel with Jaguar Sequential Shift™ paddles and remote controls for audio system, cruise control, Bluetooth® telephone connectivity and Interactive Voice*	●	NCO	NCO	—
3-spoke wood and soft grain leather heated steering wheel with Jaguar Sequential Shift™ paddles and remote controls for audio system, cruise control, Bluetooth® telephone connectivity and Interactive Voice ¹ *	○	●	●	—
3-spoke soft grain leather heated steering wheel with 'R' logo, Jaguar Sequential Shift™ paddles and remote controls for audio system, cruise control, Bluetooth® telephone connectivity and Interactive Voice*	—	—	—	●

COMPARE STANDARD AND OPTIONAL FEATURES

	XJ PREMIUM LUXURY	XJ PORTFOLIO	XJ SUPERSPORT	XJR
INTERIOR FEATURES [CONTINUED]				
Twin front cup holders	●	●	●	●
Sun visor - driver and front passenger, with illuminated vanity mirrors	●	●	●	●
Rear coat hooks	●	●	●	●
Front and rear courtesy footwell lights	●	●	●	●
Phosphor blue halo illumination and interior mood lighting	●	●	●	●
JaguarSense™ - glovebox opening	●	●	●	●
JaguarSense™ - overhead light console operation (front)	●	●	●	●
Driver's foot rest	●	●	●	●
Intaglio ('Jaguar' script)	●	●	●	—
Intaglio ('XJR')	—	—	—	●
Rear seats - centre armrest with twin cup holders	●	●	●	●
Jaguar premium analogue clock	●	●	●	●
Dual zone automatic climate control with air filtration, humidity sensing and dual zone temperature control for driver and front passenger	●	—	—	—
Four zone automatic climate control with air filtration, humidity sensing and four zone temperature control for driver, front passenger and independent control for left and right rear passengers (standard on Long Wheelbase models)	○	●	●	●
Air quality sensing with auto recirculation	○	○	○	○
Front ashtray and lighter	NCO	NCO	NCO	NCO
Electric rear window sunblind (standard on all Long Wheelbase models)	○	○	●	○

	XJ PREMIUM LUXURY	XJ PORTFOLIO	XJ SUPERSPORT	XJR
MULTIMEDIA				
Virtual Instruments, 8 inch Touch-screen, single slot CD/DVD, Interactive Voice, Interactive Controls, Media Hub including Front Media Interface and Bluetooth audio streaming	●	●	●	●
Navigation system with HDD mapping	●	●	●	●
Meridian Audio System - 380W with single slot CD/DVD	●	—	—	—
Meridian Surround Audio System - 825W with single slot CD/DVD	○	●	●	●
Meridian Reference Audio System - 1300W with single slot CD/DVD. Includes conversation assist	○	○	○	—
Digital Audio Broadcasting (DAB+) radio receiver	○	○	○	○
Digital Television	○	○	●	○
Dual View functionality and one set of WhiteFire® digital wireless headphones	○	●	●	●
Rear Seat Entertainment - 8 inch dual LCD screens (mounted in rear of front headrests) with Rear media Interface, remote control and two sets of WhiteFire® digital wireless headphones. Not available with Jaguar Audio System	○	○	●	—
Interactive Voice. Front voice control of Audio, Bluetooth® 2.0 connectivity and Navigation	●	●	●	●
LONG WHEELBASE ADDITIONAL FEATURES				
Rear Seat Entertainment - 10.2 inch dual LCD screens (mounted on the rear of front seats) with Rear Media Interface, remote control and two sets of WhiteFire® digital wireless headphones	○	—	P	—
Illuminated rear vanity mirrors	●	—	●	—
Electric rear window sunblind	●	—	●	○
Four zone automatic climate control with air filtration, humidity sensing and four zone temperature control for driver, front passenger and independent control for left and right rear passengers	●	—	●	—
Rear business tables	○	—	●	—
Electric rear side window blinds	●	—	●	—

● Standard ○ Option — Not available P Option as part of pack
Please consult your local Jaguar dealer for details.

	XJ PREMIUM LUXURY	XJ PORTFOLIO	XJ SUPERSPORT	XJR
PACKS				
Illumination Pack - Phosphor blue illumination in front and rear air vents, illuminated tread plates and boot latch finisher	○	○	—	○
Sport Exterior Pack - Front aero splitter, rear decklid spoiler, Gloss Black radiator grille with chrome surround, Gloss Black lower mesh, Gloss Black mesh in side power vent, red painted brake calipers with Jaguar script and 20" Venom alloy wheel in sparkle finish	○	○	○	—
Sport Exterior Pack - Front aero splitter, rear decklid spoiler, Gloss Black radiator grille with chrome surround, Gloss Black lower mesh, Gloss Black mesh in side power vent, red painted brake calipers with Jaguar script and 20" Mataiva alloy wheel in sparkle finish	—	—	○	—
Sport Interior Pack - Sport seat - Electric front seat adjustment (18x18 way) including fore/aft, cushion height, squab recline, cushion tilt, 4-way lumbar, adjustable bolsters, cushion extension and powered headrests. Heated and cooled front and rear seats. Driver's and front seat passenger's 3-position seat memory. Rear seats trimmed to match front seats. Metallic foot pedals (Standard wheelbase models only) ¹	○	○	—	—
Premium Rear Seat Package - Two individual rear seats with seat back movement and rear seat back upper articulation including 3 massage functions. Centre armrest - includes storage, cupholders and rear seat control switch panel. Front and rear winged headrests. Driver button and rear switch pack control for front passenger seat away. Drop in Footrests. LED rear reading lights. Rear business tables. Rear Seat Entertainment -Dual 10.2" LCD screens (mounted on the rear of front seats) with Rear Media Interface, touchscreen remote control and 2 seats of WhiteFire [®] wireless digital headphones. Additional driver control of all seats via Touch-screen (Long wheelbase models only)	○	—	○	—

	XJ PREMIUM LUXURY	XJ PORTFOLIO	XJ SUPERSPORT	XJR
PACKS [CONTINUED]				
Premium Rear Seat Package including Dual View - Features as Premium Rear Seat Package plus: Dual View and 3 sets of WhiteFire [®] wireless digital headphones ilo 2 (Long wheelbase models only)	○	—	○	—
Semi-aniline leather Seat Pack - Semi-aniline leather seats with contrast stitch and piping. Electric front seat adjustment (20x20 way) including fore/aft, cushion height, squab recline, cushion tilt, 4-way lumbar, adjustable bolsters, cushion extension and powered headrests. 5 massage functions with 5 intensity settings. Heated and cooled front and rear seats. Driver's and front seat passenger's 3-position seat memory. Rear bench seat. Soft grain leather on upper fascia, door top roll, door pannier, door armrest, seat valance, centre console lid and end cap with twin needle stitch ^{2*}	—	○	—	○
Portfolio Trim Pack - Standard seats - Electric front seat adjustment (20x20 way) including fore/aft, cushion height, squab recline, cushion tilt, 4-way lumbar, adjustable bolsters, cushion extension and powered headrests. 5 massage functions with 5 intensity settings. Seat upholstery in Soft grain leather with Contrast stitch and Piping. Heated and cooled front and rear seats. Driver's and front seat passenger's 3-position seat memory. Jaguar Suedecloth Premium Headlining. Soft grain leather stitched and tailored upper fascia, door top roll, door pannier, door armrest and centre console lid with twin needle stitching (Long wheelbase models only)*	○	—	—	—
Speed Pack - V.max to 280 km/h. Front aero splitter. Rear decklid spoiler. Gloss black radiator grille with chrome surround & gloss black lower mesh. Chrome with Black grille side power vent. Red Painted brake calipers with Jaguar script. Red zone stitch available as an option with Jet/Jet colourway. Choice of 20" Venom alloy wheels with sparkle finish or 20" Mataiva allow wheels	—	—	○	—

○ Option — Not available

¹Not available with Rear Seat Entertainment. Rear Seat Packs. Business Tables or Meridian Reference Audio System

²Limited colour choice for XJR

*Leather seats/interiors/steering wheels (all models) may include some non-leather materials on certain surfaces

Please consult your local Jaguar dealer for details.

PREMIUM LUXURY

KEY FEATURES

Available with Jaguar 3.0 Litre V6 202kW Turbocharged Diesel and 3.0 Litre V6 250kW Supercharged Petrol engines

Available in Standard Wheelbase (SWB) and Long Wheelbase (LWB)

Soft grain leather seats with driver's and passenger's electric adjustment (12x12 way for SWB and 20x20 way for LWB)*

Driver's 3 position seat memory

Heated front and rear seats (SWB models)

Ventilated heated/cooled front and rear seats (LWB models)

19 inch Aleutian alloy wheels

Gloss Burr Walnut veneer

Front parking aid with Touch-screen visual indicator

Jaguar Smart Key System™ - keyless entry

Soft door close

3-spoke soft grain leather steering wheel*

Meridian Surround Audio System - 380W with single slot CD/DVD

Reverse park camera with guidance

Heated front screen with timer

OPTION PRICES

POWERTRAIN AND DRIVING DYNAMICS

Adaptive Cruise Control (ACC) with Forward Alert and Advanced Emergency Brake Assist	\$3,780
--	---------

SAFETY AND SECURITY

Blind Spot Monitor	\$1,100
--------------------	---------

Tyre Pressure Monitoring System (TPMS) ¹	\$1,200
---	---------

EXTERIOR FEATURES

Bi-function HID Xenon headlamps with Adaptive Front Lighting, cornering lamps and intelligent high beam	\$1,910
---	---------

MULTIMEDIA

Meridian Surround Audio System - 825W with single slot CD/DVD	\$4,080
---	---------

Meridian Reference Audio System - 1300W with single slot CD/DVD. Includes conversation assist ²	\$10,500
--	----------

Digital Television	\$1,820
--------------------	---------

Digital Audio Broadcasting (DAB+) radio receiver	\$600
--	-------

Dual View functionality and one set of WhiteFire® digital wireless headphones	\$2,550
---	---------

Rear Seat Entertainment - 8 inch dual LCD screens (mounted in rear of front headrests) with Rear Media Interface, remote control and two sets of WhiteFire® digital wireless headphones	\$4,590
---	---------

LONG WHEELBASE ADDITIONAL FEATURES

Rear Seat Entertainment - 10.2 inch dual LCD screens (mounted on the rear of front seats) with Rear Media Interface, remote control and two sets of WhiteFire® digital wireless headphones	\$5,500
--	---------

Rear business tables	\$2,430
----------------------	---------

NCO No Cost Option

¹Not available with 18" Meru alloy wheels

²Not available on Standard Wheelbase models

*Leather seats/interiors/steering wheels (all models) may include some non-leather materials on certain surfaces

Please consult your local Jaguar dealer for details.

INTERIOR FEATURES

Electric front seat adjustment (12x12 way) including fore/aft, cushion height, squab recline, cushion tilt and 4-way lumbar adjust. Heated and cooled front and rear seats. Driver's 3-position seat memory (Standard wheelbase models only)	\$2,860
Electric front seat adjustment (20x20 way) including fore/aft, cushion height, squab recline, cushion tilt, 4-way lumbar, adjustable bolsters, cushion extension and powered headrests. 5 massage function with 5 intensity settings. Heated and cooled front and rear seats. Driver's and front seat passenger's 3-position seat memory (Standard on long wheelbase)	\$5,720
Four zone automatic climate control with air filtration, humidity sensing and four zone temperature control for driver, front passenger and independent control for left and right rear passengers (Standard on long Wheelbase)	\$1,020
Air quality sensing with auto recirculation	\$160
Front ashtray and lighter	NCO
Electric rear window sunblind (Standard on long wheelbase)	\$940
3-spoke wood and leather heated steering wheel with Jaguar Sequential Shift™ paddles and remote controls for audio system, cruise control, Bluetooth® telephone connectivity and Interactive Voice ³	\$1,120

● Standard ○ Option — Not available NCO No Cost Option P Option as part of pack

³Wood and leather steering wheel is only available with gloss wood veneers

⁴Not available with Rear Seat Entertainment or Meridian Reference Audio System

*Leather seats/interiors/steering wheels (all models) may include some non-leather materials on certain surfaces






Please consult your local Jaguar dealer for details.






PACKS

Illumination Pack - Phosphor blue illumination in front and rear air vents, illuminated tread plates and boot latch finisher	\$2,960
Sport Exterior Pack - Front aero splitter, rear decklid spoiler, Gloss Black radiator grille with chrome surround, Gloss Black lower mesh, Gloss Black mesh in side power vent, red painted brake calipers with Jaguar script, and 20" Venom alloy wheels in sparkle finish	\$7,500
Sport Interior Pack - Sport seat - Electric front seat adjustment (18x18 way) including fore/aft, cushion height, squab recline, cushion tilt, 4-way lumbar, adjustable bolsters, cushion extension and powered headrests. Heated and cooled front and rear seats. Driver's and front seat passenger's 3-position seat memory. Rear seats trimmed to match front seats. Metallic foot pedals. See colour and trim page for colour choices and prices (Standard wheelbase models only) ⁴	
Premium Rear Seat Package - Two individual rear seats with seat back movement and rear seat back upper articulation including 3 massage functions. Centre armrest - includes storage, cupholders and rear seat control switch panel. Front and rear winged headrests. Driver button and rear switch pack control for front passenger seat away. Drop in Footrests. LED rear reading lights. Rear business tables. Rear Seat Entertainment -Dual 10.2" LCD screens (mounted on the rear of front seats) with Rear Media Interface, touchscreen remote control and 2 seats of WhiteFire® wireless digital headphones. Additional driver control of all seats via Touch-screen (Long wheelbase models only)	\$9,360
Premium Rear Seat Package including Dual View - Features as Premium Rear Seat Package plus: Dual View and 3 sets of WhiteFire® wireless digital headphones ilo 2 (Long wheelbase models only)	\$11,900

PREMIUM LUXURY

ALLOY WHEEL CHOICES

	STANDARD	OPTIONAL	OPTIONAL	OPTIONAL	OPTIONAL
					
	19" ALEUTIAN	18" MERU	18" MANRA	19" TOBA	19" TOBA POLISHED
FRONT	9.0J x 19"	8.0J x 18"	8.0J x 18"	9.0J x 19"	9.0J x 19"
REAR	10.0J x 19"	9.0J x 18"	9.0J x 18"	10.0J x 19"	10.0J x 19"
OPTION PRICE	-	NCO	NCO	\$1,550	\$4,560

	OPTIONAL	OPTIONAL	OPTIONAL	OPTIONAL	SPORT PACK
					
	20" KASUGA	20" KASUGA POLISHED	20" ORONA	20" ORONA POLISHED	20" VENOM ¹
FRONT	9.0J x 20"	9.0J x 20"	9.0J x 20"	9.0J x 20"	9.0J x 20"
REAR	10.0J x 20"	10.0J x 20"	10.0J x 20"	10.0J x 20"	10.0J x 20"
OPTION PRICE	\$3,100	\$6,200	\$3,100	\$6,200	P

NCO No Cost Option P Option as part of pack

¹Standard when Sport Exterior Pack option is selected

Please consult your local Jaguar dealer for details.

PREMIUM LUXURY

COLOUR AND TRIM CHOICES

EXTERIOR COLOURS		See page 38 of XJ Brochure	
		PAINT TYPE	
Standard			
	Ebony	Solid	
	Polaris White	Solid	
Optional			
Premium	Cashmere	Metallic	NCO
	Caviar	Xirallic	NCO
	Rhodium Silver	Metallic	NCO
	Carnelian Red	Xirallic	NCO
	Satellite Grey	Xirallic	NCO
	Dark Sapphire	Xirallic	NCO
	Stratus Grey	Xirallic	NCO
	Ultimate Black	Xirallic	NCO
	Osmium	Metallic	NCO
	Lunar Grey	Metallic	NCO
Race Inspired	British Racing Green	Xirallic	\$2,000
	Italian Racing Red	Xirallic	\$2,000
Special	Black Amethyst	Xirallic	\$2,000

INTERIOR COLOUR COMBINATIONS				See page 47 of XJ Brochure
SEAT	STITCH	UPPER FACIA	HEADLINING	
Soft grain leather*		Soft feel (non- leather)*	Morzine	
Standard				
Jet	Jet	Jet	Ivory	
Cashew	Cashew	Truffle	Ivory	
Cirrus	Cirrus	Jet	Ivory	
Ivory ¹	Ivory	Oyster	Ivory	

Optional				
London Tan ²	Jet/Jet	Jet	Ivory	\$2,140

VENEERS		See page 44 of XJ Brochure
Standard		
Gloss Burr Walnut		
Optional		
Piano Black		\$3,060
Carbon Fibre		\$3,060
Satin Elm		\$450
Satin Rosewood		\$450

SPORT PACK INTERIOR COLOUR COMBINATIONS				See page 54 of XJ Brochure
SEAT	STITCH	UPPER FACIA	HEADLINING	
Soft grain leather*		Soft feel (non- leather)*	Suedecloth	
Jet	Ivory	Jet	Ivory or Jet	\$2,640
Ivory	Jet	Jet	Ivory or Jet	\$4,780

SPORT PACK VENEERS		See page 44 of XJ Brochure
Piano Black		
Carbon Fibre		

NCO No Cost Option

¹Requires heated and cooled front and rear seats plus 3-spoke soft grain leather heated steering wheel

²Requires heated and cooled front and rear seats

*Leather seats/interiors/steering wheels (all models) may include some non-leather materials on certain surfaces

Please consult your local Jaguar dealer for details.

PORTFOLIO

KEY FEATURES

Available with Jaguar 3.0 Litre V6 250kW Supercharged Petrol engine

Available only in Standard Wheelbase (SWB)

Soft grain leather seats with driver's and front seat passenger's electric adjustment (18x18 way)*

Driver's and front seat passenger's 3-position seat memory

Heated and cooled front and rear seats

20" Kasuga alloy wheels

Gloss Rich Oak veneer

Meridian Audio System - 825W with single slot CD/DVD

Four zone automatic climate control with air filtration, humidity sensing and four zone temperature control for driver, front passenger and independent control for left and right rear passengers

Bi-function HID Xenon headlamps with Adaptive Front Lighting, cornering lamps and intelligent high beam

Reverse park camera with guidance

Suedecloth headlining

3-spoke wood and soft grain leather heated steering wheel with Jaguar Sequential Shift™ paddles and remote controls for audio system, cruise control, Bluetooth® telephone connectivity and Interactive Voice¹*

OPTION PRICES

POWERTRAIN AND DRIVING DYNAMICS

Adaptive Cruise Control (ACC) with Forward Alert and Advanced Emergency Brake Assist	\$3,780
--	---------

SAFETY AND SECURITY

Blind Spot Monitor	\$1,100
--------------------	---------

Tyre Pressure Monitoring System (TPMS)	\$1,200
--	---------

MULTIMEDIA

Digital Audio Broadcasting (DAB+) radio receiver	\$600
--	-------

Digital Television	\$1,820
--------------------	---------

Rear Seat Entertainment - 8 inch dual LCD screens (mounted in rear of front headrests) with Rear media Interface, remote control and two sets of WhiteFire® digital wireless headphones	\$4,590
---	---------

NCO No Cost Option

¹Wood and leather steering wheel is only available with gloss wood veneers

*Leather seats/interiors/steering wheels (all models) may include some non-leather materials on certain surfaces
Please consult your local Jaguar dealer for details.

INTERIOR FEATURES

Electric front seat adjustment (20x20 way) including fore/aft, cushion height, squab recline, cushion tilt, 4-way lumbar, adjustable bolsters, cushion extension and powered headrests. 5 massage functions with 5 intensity settings. Heated and cooled front and rear seats. Driver's and front seat passenger's 3-position seat memory	\$1,360
Air quality sensing with auto recirculation	\$160
Front ashtray and lighter	NCO
Electric rear window sunblind	\$940

PACKS

Illumination Pack - Phosphor blue illumination in front and rear air vents, illuminated tread plates and boot latch finisher	\$2,960
Sport Exterior Pack - Front aero splitter, rear decklid spoiler, Gloss Black radiator grille with chrome surround, Gloss Black lower mesh, Gloss Black mesh in side power vent, red painted brake calipers with Jaguar script and 20" Venom alloy wheels in sparkle finish	\$4,900
Sport Interior Pack - Sport seat - Electric front seat adjustment (18x18 way) including fore/aft, cushion height, squab recline, cushion tilt, 4-way lumbar, adjustable bolsters, cushion extension and powered headrests. Heated and cooled front and rear seats. Driver's and front seat passenger's 3-position seat memory. Rear seats trimmed to match front seats. Metallic foot pedals. See colour and trim page for colour choices and prices ²	
Semi-aniline Leather Seat Pack - Semi-aniline leather seats with contrast stitch and piping. Electric front seat adjustment (20x20 way) including fore/aft, cushion height, squab recline, cushion tilt, 4-way lumbar, adjustable bolsters, cushion extension and powered headrests. 5 massage functions with 5 intensity settings. Heated and cooled front and rear seats. Driver's and front seat passenger's 3-position seat memory. Rear bench seat. Soft grain leather on upper facia, door top roll, door pannier, door armrest, seat valance, centre console lid and end cap with twin needle stitch. Leather headliner. See colour and trim page for colour choices and prices*	

● Standard ○ Option — Not available NCO No Cost Option P Option as part of pack

¹Wood and leather steering wheel is only available with gloss wood veneers






²Not available with Rear Seat Entertainment, Jaguar Audio System or Meridian Reference Audio System





*Leather seats/interiors/steering wheels (all models) may include some non-leather materials on certain surfaces

Please consult your local Jaguar dealer for details.

PORTFOLIO

ALLOY WHEEL CHOICES

	STANDARD	OPTIONAL	OPTIONAL	OPTIONAL	OPTIONAL
					
	20" KASUGA	19" ALEUTIAN	18" MANRA	19" TOBA	19" TOBA POLISHED
FRONT	9.0J x 20"	9.0J x 19"	8.0J x 18"	9.0J x 19"	9.0J x 19"
REAR	10.0J x 20"	10.0J x 19"	9.0J x 18"	10.0J x 19"	10.0J x 19"
OPTION PRICE	-	NCO	NCO	NCO	\$3,100

	OPTIONAL	OPTIONAL	OPTIONAL	SPORT PACK
				
	20" KASUGA POLISHED	20" ORONA	20" ORONA POLISHED	20" VENOM ¹
FRONT	9.0J x 20"	9.0J x 20"	9.0J x 20"	9.0J x 20"
REAR	10.0J x 20"	10.0J x 20"	10.0J x 20"	10.0J x 20"
OPTION PRICE	\$3,100	\$1,550	\$4,650	P

NCO No Cost Option P Option as part of pack

¹Standard when Sport Exterior Pack option is selected

Please consult your local Jaguar dealer for details.

PORTFOLIO

COLOUR AND TRIM CHOICES

EXTERIOR COLOURS			See page 38 of XJ Brochure
PAINT TYPE			
Standard			
	Ebony	Solid	
	Polaris White	Solid	
Optional			
Premium	Cashmere	Metallic	NCO
	Caviar	Xirallic	NCO
	Rhodium Silver	Metallic	NCO
	Carnelian Red	Xirallic	NCO
	Satellite Grey	Xirallic	NCO
	Dark Sapphire	Xirallic	NCO
	Stratus Grey	Xirallic	NCO
	Ultimate Black	Xirallic	NCO
	Osmium	Metallic	NCO
	Lunar Grey	Metallic	NCO
Race Inspired	British Racing Green	Xirallic	\$2,000
	Italian Racing Red	Xirallic	\$2,000
Special	Black Amethyst	Xirallic	\$2,000

INTERIOR COLOUR COMBINATIONS				See page 48 of XJ Brochure
SEAT Soft grain leather*	STITCH/PIPING	UPPER FACIA Soft grain leather*	HEADLINING Suedecloth	
Jet	Ivory/Ivory	Jet	Ivory or Jet	NCO
Navy	Ivory/Ivory	Navy	Ivory	NCO
London Tan	Jet/Jet	Jet	Ivory or Jet	NCO
London Tan	Navy/Navy	Navy	Ivory	NCO
Cashew	Truffle/Truffle	Truffle	Ivory	NCO
Cirrus	Mineral/Mineral	Mineral	Ivory	NCO
Ivory	Jet/Jet	Jet	Ivory or Jet	NCO
Ivory	Truffle/Truffle	Truffle	Ivory	NCO
Ivory	Oyster/Oyster	Oyster	Ivory	NCO

VENEERS		See page 44 of XJ Brochure
Standard		
Gloss Rich Oak		
Optional		
Piano Black		\$3,060
Satin mid Zebrano		NCO
Carbon Fibre		NCO
Gloss Figured Ebony		NCO
Gloss Figured Ebony with Ribbon Laser Inlay ¹		P
Gloss Rich Oak with Linear Laser Inlay ¹		P
Gloss Burr Walnut		NCO
Gloss Walnut Curl ¹		P
Gloss Shadow Walnut ¹		P
Satin Elm		NCO

SPORT PACK INTERIOR COLOUR COMBINATIONS				See page 54 of XJ Brochure
SEAT Soft grain leather*	STITCH	UPPER FACIA Soft grain leather*	HEADLINING Suedecloth	
Jet	Ivory	Jet	Ivory or Jet	\$780
Ivory	Jet	Jet	Ivory or Jet	\$780

SPORT PACK VENEERS		See page 44 of XJ Brochure
Piano Black		P
Carbon Fibre		P

SEMI-ANILINE LEATHER SEAT PACK INTERIOR COLOUR COMBINATIONS				See page 53 of XJ Brochure
SEAT Semi-aniline leather*	STITCH/PIPING	UPPER FACIA Soft grain leather*	HEADLINING Soft grain leather	
Jet	Tonal/Jet	Jet	Ivory or Jet	\$8,170
Bordeaux	Bordeaux/Bordeaux	Jet	Ivory or Jet	\$8,170
London Tan	Jet/London Tan	Jet	Ivory or Jet	\$8,170
Ivory	Jet/Jet	Jet	Ivory or Jet	\$8,170
Ivory	Navy/Navy	Navy	Ivory	\$8,170
Ivory	Bordeaux/Bordeaux	Bordeaux	Ivory	\$8,170
Ivory	Mineral/Mineral	Mineral	Ivory	\$8,170

NCO No Cost Option P Option as part of pack

¹Only available with the Semi-Aniline leather seat pack

*Leather seats/interiors/steering wheels (all models) may include some non-leather materials on certain surfaces

Please consult your local Jaguar dealer for details.

SUPERSPORT

KEY FEATURES

Available with Jaguar 5.0 litre V8 375kW Supercharged Petrol engine

Available only in Long Wheelbase (LWB)

20" Mataiva alloy wheels

Semi-aniline leather seats with driver's and passenger's electric adjustment (20x20 way) including driver and passenger memory. Driver and passenger massage seats with 5 intensity settings. Active ventilated heated and cooled front and rear seats*

Reverse park camera with guidance

Gloss Rich Oak with Linear Laser Inlay veneer

Meridian Surround Audio System – 825W with single slot CD/DVD

Illumination Pack – Phosphor blue illumination in front and rear air vents, illuminated tread plates and boot latch finisher

Digital Television

Dual View functionality and one set of WhiteFire® digital wireless headphones

Electric rear window sunblind (standard on Long Wheelbase)

Rear Seat Entertainment – 8 inch dual LCD screens (mounted in rear of front headrests) with Rear Media Interface and Touch-screen remote control and two sets of WhiteFire® digital wireless headphones (standard feature on Long Wheelbase)

3-spoke soft grain wood and leather heated steering wheel with Jaguar Sequential Shift™ paddles and remote controls for audio system, cruise control, Bluetooth® telephone connectivity and Interactive Voice*

OPTION PRICES

POWERTRAIN AND DRIVING DYNAMICS

Adaptive Cruise Control (ACC) with Forward Alert and Advanced Emergency Brake Assist	\$3,780
--	---------

SAFETY AND SECURITY

Blind Spot Monitor	\$1,100
Tyre Pressure Monitoring System (TPMS) ¹	\$1,200

MULTIMEDIA

Digital Audio Broadcasting (DAB+) radio receiver	\$600
--	-------

INTERIOR FEATURES

Air quality sensing with auto recirculation	\$160
Front ashtray and lighter	NCO

PACKS

Sport Exterior Pack – Front aero splitter, rear decklid spoiler, Gloss Black radiator grille with chrome surround, Gloss Black lower mesh, Gloss Black mesh in side power vent, Red Painted brake calipers with Jaguar script, rear privacy glass and a choice of 20" Venom alloy wheels in sparkle finish or 20" Mataiva alloy wheels	\$3,500
---	---------

Speed Pack – Maximum speed increase from 250km/h to 280km/h, front aero splitter, rear decklid spoiler, Gloss Black radiator grille with chrome surround, Gloss Black lower mesh, Gloss Black mesh in side power vent, Red Painted brake calipers with Jaguar script and a choice of 20" Venom alloy wheels in sparkle finish or 20" Mataiva alloy wheels	\$6,900
--	---------

NCO No Cost Option


¹Not available with 18" Meru alloy wheels

*Leather seats/interiors/steering wheels (all models) may include some non-leather materials on certain surfaces

Please consult your local Jaguar dealer for details.

SUPERSPORT

ALLOY WHEEL CHOICES

	STANDARD	OPTIONAL	OPTIONAL	OPTIONAL	OPTIONAL
					
	20" MATAIVA	19" ALEUTIAN	19" TOBA	19" TOBA POLISHED	20" KASUGA
FRONT	9.0J x 20"	9.0J x 19"	9.0J x 19"	9.0J x 19"	9.0J x 20"
REAR	10.0J x 20"	10.0J x 19"	10.0J x 19"	10.0J x 19"	10.0J x 20"
OPTION PRICE	—	NCO	NCO	\$3,100	NCO

	OPTIONAL	OPTIONAL	OPTIONAL	SPEED PACK ¹
				
	20" KASUGA POLISHED	20" ORONA	20" ORONA POLISHED	20" VENOM ¹
FRONT	9.0J x 20"	9.0J x 20"	9.0J x 20"	9.0J x 20"
REAR	10.0J x 20"	10.0J x 20"	10.0J x 20"	10.0J x 20"
OPTION PRICE	\$3,100	\$1,550	\$3,100	—

NCO No Cost Option

¹Standard when Sport Exterior Pack option is selected

Please consult your local Jaguar dealer for details.

SUPERSPORT

COLOUR AND TRIM CHOICES

EXTERIOR COLOURS		See page 38 of XJ Brochure	
		PAINT TYPE	
Standard	Ebony	Solid	
	Polaris White	Solid	
Optional			
Premium	Cashmere	Metallic	NCO
	Caviar	Xirallic	NCO
	Rhodium Silver	Metallic	NCO
	Carnelian Red	Xirallic	NCO
	Satellite Grey	Xirallic	NCO
	Dark Sapphire	Xirallic	NCO
	Stratus Grey	Xirallic	NCO
	Ultimate Black	Xirallic	NCO
	Osmium	Metallic	NCO
	Lunar Grey	Metallic	NCO
Race Inspired	British Racing Green	Xirallic	\$2,000
	Italian Racing Red	Xirallic	\$2,000
Special	Black Amethyst	Xirallic	\$2,000

INTERIOR COLOURS COMBINATIONS				See page 50 of XJ Brochure
SEAT	STITCH/PIPING	UPPER FACIA	HEADLINING	
Semi-aniline leather*		Soft grain leather*	Soft grain leather	
Jet	Tonal/Jet	Jet ¹	Parchment or Jet	NCO
Bordeaux	Bordeaux	Bordeaux	Parchment	NCO
London Tan	Jet/London Tan	Jet	Parchment or Jet	NCO
Parchment	Navy	Navy	Parchment	NCO
Parchment	Truffle	Truffle ²	Parchment	NCO
Parchment	Bordeaux	Bordeaux	Parchment	NCO

ADDITIONAL COLOUR COMBINATIONS IF SPEED PACK IS SELECTED				See page 51 of XJ Brochure
SEAT	STITCH/PIPING	UPPER FACIA	HEADLINING	
Semi-aniline leather*		Soft grain leather*	Soft grain leather	
Jet	Red Zone/Jet	Jet	Parchment or Jet	P

VENEERS		See page 44 of XJ Brochure
Standard		
Gloss Rich Oak with Linear Laser Inlay		
Optional		
Piano Black		\$3,060
Carbon Fibre		NCO
Gloss Figured Ebony with Ribbon Laser Inlay		NCO
Gloss Walnut Curl		NCO
Gloss Shadow Walnut		NCO
Satin Zebrano		NCO

NCO No Cost Option P Option as part of pack

¹Tipped leather option on door panniers, door top rolls, facia toppler and driver's binnacle

²Tipped leather option on doortop rolls, facia toppler and driver's binnacle

*Leather seats/interiors/steering wheels (all models) may include some non-leather materials on certain surfaces

Please consult your local Jaguar dealer for details.

XJR

KEY FEATURES

Available with Jaguar 5.0 Litre V8 404kW Supercharged Petrol engine

Available only in Standard Wheelbase (SWB)

20" Farallon alloy wheels in Technical Grey finish

Soft grain leather sports seats with 'R' logo and driver's and front seat passenger's electric adjustment (18x18 way)*

Driver's and front seat passenger's 3-position seat memory

Heated and cooled front and rear seats

3-spoke soft grain leather heated steering wheel with 'R' logo*

Meridian Surround Audio System - 825W with single slot CD/DVD

Unique 'R' Intaglio

Suedecloth headlining

Red painted brake calipers with Jaguar script

Sports exhaust with quad tailpipes

Front splitter

Rear spoiler

Unique 'R' side sills

Dual View functionality and one set of WhiteFire® digital wireless headphones

OPTION PRICES

POWERTRAIN AND DRIVING DYNAMICS	
Adaptive Cruise Control (ACC) with Forward Alert and Advanced Emergency Brake Assist	\$3,780
Carbon fibre engine cover	\$3,700
SAFETY AND SECURITY	
Blind Spot Monitor	\$1,100
Tyre Pressure Monitoring System (TPMS)	\$1,200
MULTIMEDIA	
Digital Audio Broadcasting (DAB+) radio receiver	\$600
Digital Television	\$1,820

INTERIOR FEATURES	
Soft grain leather headlining ¹	P
PACKS	
Illumination Pack - Phosphor blue illumination in front and rear air vents, illuminated tread plates and boot latch finisher	\$2,960
Semi-aniline Leather Seat Pack - Semi-aniline leather seats with contrast stitch and piping. Electric front seat adjustment (20x20 way) including fore/aft, cushion height, squab recline, cushion tilt, 4-way lumbar, adjustable bolsters, cushion extension and powered headrests. 5 massage functions with 5 intensity settings. Heated and cooled front and rear seats. Driver's and front seat passenger's 3-position seat memory. Rear bench seat. Soft grain leather on upper facia, door top roll, door pannier, door armrest, seat valance, centre console lid and end cap with twin needle stitch. Leather headliner. See colour and trim page for colour choices and prices*	

¹Available in Jet only P Option as part of pack

*Leather seats/interiors/steering wheels (all models) may include some non-leather materials on certain surfaces

Please consult your local Jaguar dealer for details.

XJR

ALLOY WHEEL CHOICES

STANDARD

OPTIONAL



20" FARALLON
TECHNICAL GREY

20" FARALLON
SPARKLE SILVER

FRONT

9.0J x 20"

9.0J x 20"

REAR

10.0J x 20"

10.0J x 20"

OPTION PRICE

\$1,550

XJR

COLOUR AND TRIM CHOICES

EXTERIOR COLOURS		See page 38 of XJ Brochure	
		PAINT TYPE	
Standard			
	Ebony	Solid	
	Polaris White	Solid	
Optional			
Premium	Cashmere	Metallic	NCO
	Caviar	Xirallic	NCO
	Rhodium Silver	Metallic	NCO
	Carnelian Red	Xirallic	NCO
	Satellite Grey	Xirallic	NCO
	Dark Sapphire	Xirallic	NCO
	Stratus Grey	Xirallic	NCO
	Ultimate Black	Xirallic	NCO
	Osmium	Metallic	NCO
	Lunar Grey	Metallic	NCO
Race Inspired	British Racing Green	Xirallic	\$2,000
	Italian Racing Red	Xirallic	\$2,000
Special	Black Amethyst	Xirallic	\$2,000

INTERIOR COLOUR COMBINATIONS				See page 52 of XJ Brochure
SEAT	STITCH	UPPER FACIA	HEADLINING	
Soft grain leather*		Soft grain leather*	Suedecloth	
Jet	Red Zone	Jet	Jet	NCO
Jet	London Tan	Jet	Jet	NCO
Jet/Red Zone	Red Zone	Jet	Jet	NCO
Jet/London Tan	London Tan	Jet	Jet	NCO
Jet/Ivory	Ivory	Jet	Jet	NCO

VENEERS		See page 44 of XJ Brochure
Standard		
Carbon Fibre		NCO
Piano Black		

SEMI-ANILINE LEATHER SEAT PACK				See page 53 of XJ Brochure
INTERIOR COLOUR COMBINATIONS				
SEAT	STITCH/PIPING	UPPER FACIA	HEADLINING	
Semi-aniline leather*		Soft grain leather*	Suedecloth	
Jet	Tonal/Jet	Jet	Jet	\$8,170
Jet	Red Zone/Jet	Jet	Jet	\$8,170
London Tan	Jet/London Tan	Jet	Jet	\$8,170
Ivory	Jet/Jet	Jet	Jet	\$8,170

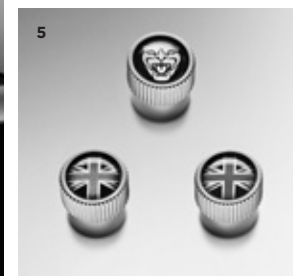
NCO No Cost Option

*Leather seats/interiors/steering wheels (all models) may include some non-leather materials on certain surfaces
Please consult your local Jaguar dealer for details.

ACCESSORIES

EXTERIOR STYLING			
Polished tailpipe finishers	Polished stainless steel exhaust finishers add further style and refinement to your XJ		C2D25247
Aero splitter and decklid spoiler	Aggressive front aero splitter lowers the front profile of the XJ to guide air beneath the chassis more efficiently at speed, improving overall performance dynamics. A refined colour-keyed decklid spoiler further increases downforce at speed, providing real handling improvements		C2D26935LML
Gloss Black radiator and lower intake grilles	Offered in a glinting Gloss Black finish providing an aggressive finish		C2D26936
Gloss Black side power vents	Add an aggressive styling upgrade with Gloss Black Side Power Vents		C2D26937
Chrome mirror covers	Chrome mirror covers accentuate the stylish design of the XJ's exterior mirrors		C2D5488 & C2D5489
Splash guards	Front and rear Jaguar branded splash guards complement the lines of the XJ and provide protection to the vehicle from dirt and stone chippings	Front	C2D8498
		Rear	C2D8499
Styled valve caps	Complete the look of your XJ's alloy wheels with custom valve caps	Valve caps with Black Jack	C2D19598
		Valve caps with Union Jack	C2D19599
		Valve caps with Jaguar Growler	C2D19596
		Valve caps with 'R' Logo	C2D19597
Centre wheel badge	A distinctive monochrome centre badge featuring the Jaguar Logo with a Union Flag design providing a British twist	Union Flag wheel centre badge	T2R5513
Alloy Wheels	The alloy wheels shown throughout the XJ Specification and Price Guide may also be available as an accessory fitment. Please consult your local Jaguar dealer for availability	Aleutian 19"	Front/Rear C2D4499/C2D4500
		Amirante 20"	Front/Rear C2D7439/C2D7440
		Kasuga 20"	Front/Rear C2D4245/C2D4246
		Kasuga polished 20"	Front/Rear C2D9177/C2D9178
		Meru 18"	Front/Rear C2D4497/C2D4498
		Orona 20"	Front/Rear C2D7283/C2D7284
		Orona polished 20"	Front/Rear C2D7285/C2D7286
		Orona anthracite 20"	Front/Rear C2D24742/C2D24743
		Toba 19"	Front/Rear C2D7287/C2D7288
Toba polished 19"	Front/Rear C2D7281/C2D7282		
Growler wheel nuts	Enhance the look of your alloy wheels with Jaguar Growler branded black or chrome wheel nuts	Wheel nut kit – Growler chrome	C2D20072
		Wheel nut kit – Growler black	C2D20073

Please consult your local Jaguar dealer for details.



1. SPLASH GUARDS 2. CHROME MIRROR COVERS 3. POLISHED STAINLESS STEEL EXHAUST FINISHERS 4. INTAGLIO 5. STYLED VALVE CAPS 6. GROWLER WHEEL NUTS

ACCESSORIES

INTERIOR STYLING			
Illuminated sill tread plates	Elegantly styled aluminium sill tread plates illuminate when the driver or passenger doors are opened. Highlighted by soft phosphor blue lighting	Standard Wheelbase front left/right	C2D17703/C2D17702
		Standard Wheelbase rear left/right	C2D17706/C2D17704
		Long Wheelbase front left/right	C2D17703/C2D17702
		Long Wheelbase rear left/right	C2D17705/C2D17707
Sport pedal covers	Made from stainless steel and rubber, the pedal kit fits securely over existing pedals for a contemporary, sporting appearance		C2D8415
Gear selector	A specially designed gear selector with premium dark leather finished top and rubber bezel with soft touch grip		C2D21919PVJ & C2D21956
Aluminium gear shift paddles	Replacement steering wheel gear shift paddles offered in a premium Aluminium material. Aluminium is billet machined, polished and anodised to provide a high quality finish to a key contact point in the vehicle		T2R6547
Intaglio	To add a further degree of individuality, the Jaguar branded Intaglio at the front of the XJ's cabin can be personalised with your own name, inscription, design or logo. It is also offered with a variety of other designs, including XJ creator Ian Callum's signature	Jaguar Flag	C2D14681
		Ian Callum signature	C2D17977
		Personalised	C2D14682
		Graphite	C2D12040
Illuminated boot finisher	Outlining the luggage compartment with laser thin phosphor blue lines of light this stylish Jaguar branded stainless steel finisher fills the area with a cool distinctive glow		C2D17708
Luggage compartment premium carpet mat	Luxurious soft luggage mat in Jet Black with the Jaguar logo. Deep premium 2000 g/m ² pile with nubuck edging and Dove contrast stitch		C2D7450

Please consult your local Jaguar dealer for details.



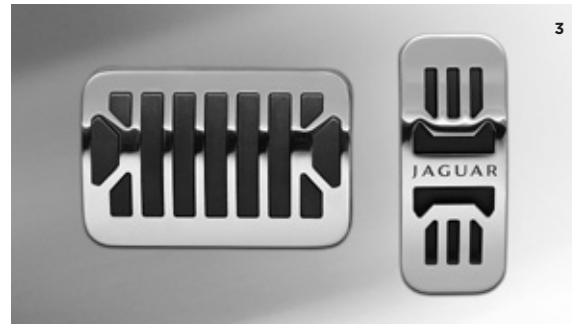
1



2



4



3



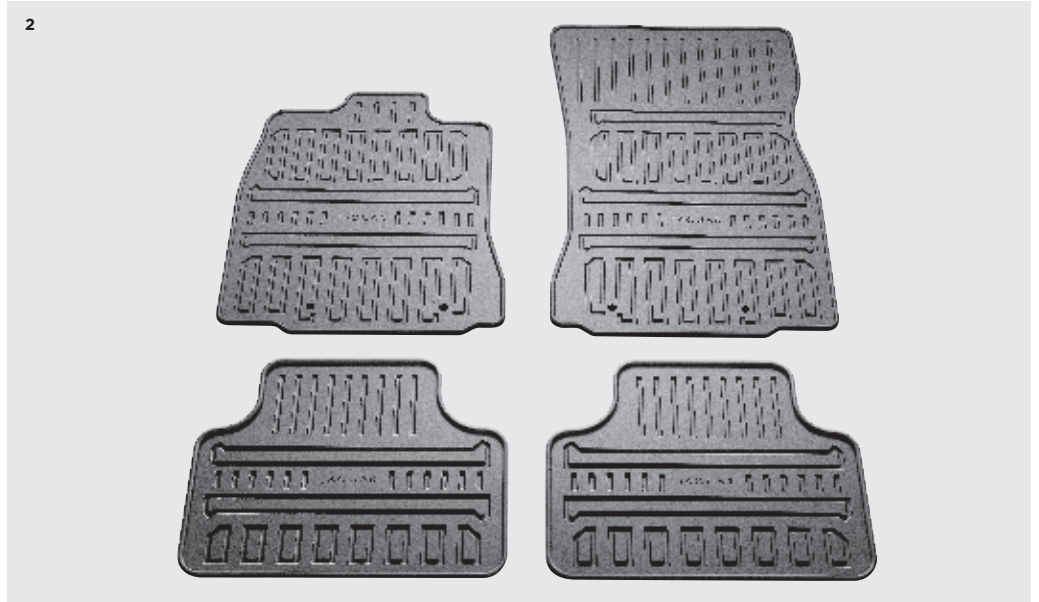
5

1. GEAR SELECTOR 2. ILLUMINATED SILL TREAD PLATES 3. SPORT PEDAL COVERS 4. DECKLID SPOILER 5. AERO SPLITTER

ACCESSORIES

CAR CARE, TRACTION AIDS AND MAINTENANCE

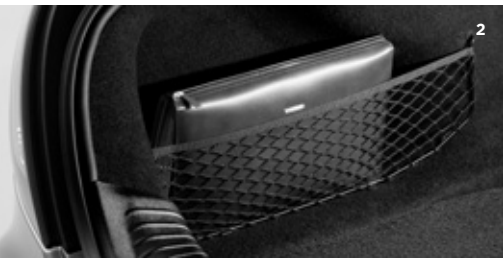
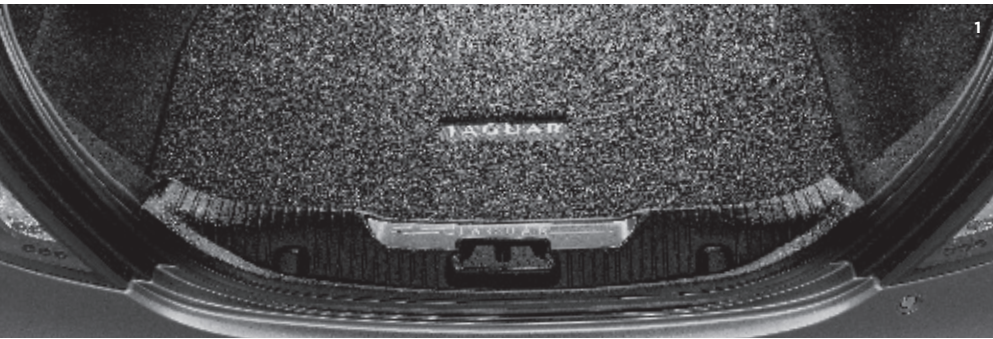
All-weather car cover	All-weather tailored cover for the XJ with the Jaguar logo. Protect your XJ from the elements, including showers, frost and dust. Quick and easy to fit	Standard Wheelbase Long Wheelbase	C2D7599 C2D8821
Warning triangle			C2S20992
Locking wheel nuts	Protect your wheels with custom designed high security locking wheel nuts		C2C9198
Tyre pressure gauge	Convenient hand held tyre pressure gauge which features a handy LED light and rotating nozzle to aid use		C2P24751



1. ALL-WEATHER CAR COVER 2. RUBBER FOOTWELL MATS

ACCESSORIES

INTERIOR UTILITY			
Headrest mounted coat hanger	Mounting simply and securely this coat hanger is easy to fit and remove and provides a convenient stowage point to keep clothing wrinkle free		C2Z23416
Rubber footwell mats	Hard wearing Jaguar branded rubber mats provide added protection for your XJ's carpets	Standard Wheelbase front	C2D8683
		Standard Wheelbase rear	C2D27141
		Long Wheelbase front	C2D8683
		Long Wheelbase rear	C2D27142
Ski bag	Manufactured from durable 600D polyester the ski bag features padded construction to provide protection and removable shoulder straps to aid carrying. Carries up to two pairs of skis and poles up to 180cm long		C2Z23531
Luggage compartment liner	This premium liner tailored specifically for the XJ luggage compartment will protect the load space area of the boot. Light and durable, it is easily removable for cleaning		C2D15159
Luggage compartment nets	A set of two nets provide additional enclosed storage in the luggage compartment and help to secure loose items such as bags or small parcels. Jaguar recommend that these nets are ordered in conjunction with the Rear Seat Comfort Pack to enable stowage of footrest when not in use		C2D14680
Ski hatch	Convenient hatch providing the ability to carry skis, snowboards or other long items through the loadspace into the cabin area	Standard seat	C2D23137
		Electric seat	C2D24404
iPad holder	Mounts to front seat headrests providing a flexible solution for rear seat entertainment. Quick release design ensures iPad can be fitted or removed quickly and easily		C2Z22935
Flexible luggage retainer	Provides a neat stowage solution to help secure luggage or other items within the loadspace area		C2D20903
Premium seat back stowage	Bespoke seat back stowage offered in a premium high quality leather material provides a neat stowing solution in the cabin area for small/handheld items. Features embossed Jaguar branding and high quality synthetic materials for interior compartments		C2Z24589



1. LUGGAGE COMPARTMENT PREMIUM CARPET MAT 2. LUGGAGE COMPARTMENT NET 3. FLEXIBLE LUGGAGE RETAINER 4. HEADREST MOUNTED COAT HANGER 5. IPAD HOLDER

GLOSSARY

POWERTRAIN AND DRIVING DYNAMICS

JAGUAR SEQUENTIAL SHIFT™

Provides the choice of Drive, Sport Automatic or Manual gearshift modes, with one touch paddles mounted behind the steering wheel to control gear changes up and down manually.

JAGUARDRIVE CONTROL™

Offers different modes selectable by a button to optimise the vehicle response depending on driving conditions and style.

DYNAMIC STABILITY CONTROL (DSC)

Intervenes in demanding driving situations by applying braking to individual wheels and reducing engine torque.

ADAPTIVE DYNAMICS

Continuously monitors the road and driver inputs and optimises the car's suspension settings for ride comfort and control.

ACTIVE DIFFERENTIAL

Limits the slip between the rear wheels, improving traction on uneven road surfaces. Can also improve stability in oversteer situations.

CRUISE CONTROL WITH AUTOMATIC SPEED LIMITER (ASL)

In tandem with cruise control, an Automatic Speed Limiter (ASL) allows the driver to select a maximum speed above 30km/h / 18mph that should not be exceeded.

ADAPTIVE CRUISE CONTROL (ACC) INCLUDING FORWARD ALERT

Uses microwave radar technology to monitor for slower moving traffic and can alert you to potential hazards ahead. It also controls both throttle and brakes to help maintain a constant time gap to the vehicle in front. When the road ahead clears, the system automatically accelerates back to the speed at which you were driving. Forward Alert provides an audible warning if traffic ahead slows.

ADVANCED EMERGENCY BRAKE ASSIST

Is an enhancement to the ACC function. The system calculates distance and speed of approach to the vehicle in front and pre-charges the brakes to minimise impact speed if a collision is predicted. The ACC interacts with the Virtual Instruments to provide the driver with information on driving conditions.

INTELLIGENT STOP/START

Stop/Start is a technology that stops the engine when it is not needed, improving the fuel economy and reducing the car's CO₂ emissions. The engine will re-start immediately once the driver's foot is released from the brake pedal.

PERFORMANCE EXHAUST WITH QUAD TAILPIPES

A unique performance tuning gives a distinctive aural signature.

SAFETY

AIRBAG AND SEAT OCCUPANT SENSING SYSTEM

Side airbags, curtain airbags and two-stage driver and front passenger airbags, all controlled by a seat occupant sensing system to ensure they work only when needed. The Anti-Whiplash System, built into the XJ's front seats and 'soft-landing' technology in the seat-belt retractors soften contact with the airbags in the front.

PEDESTRIAN CONTACT SENSING SYSTEM™

Senses an impact between a pedestrian and the front of the car. It instantaneously raises the bonnet through a small distance in a very controlled way, to help prevent the pedestrian from contacting hard points under the bonnet.

EXTERIOR FEATURES

POWER BOOT LID WITH HEIGHT ADJUSTMENT

The boot lid is opened and closed electronically, with either a single press on the remote key, a switch inside the boot lid or by the external bumper switch. The boot lid is easily programmed to open to your required height.

ADAPTIVE FRONT LIGHTING

Sensors react to the car's speed and steering input, and the system can deflect headlamp beams casting light deeper into corners, giving added confidence at night. Intelligent high beam automatically maximises driver visibility. When sensing preceding, oncoming traffic or street lights, the headlamps will automatically switch to low beam.

BLIND SPOT MONITOR

Uses radar sensors to remotely cover areas that cannot be seen either directly or by mirror, and alerts the driver of overtaking traffic with an amber warning icon in the external mirrors.

REAR PARKING AID

Rear parking aid with Touch-screen visual indicator.

FRONT PARKING AID

Front parking aid with Touch-screen visual indicator.

REVERSE PARK CAMERA WITH GUIDANCE

Combines a rear-facing camera with the Touch-screen information, it features coloured distance guides and on-screen guidance lines that move according to steering wheel angle to indicate the area into which the car will reverse.

INTERIOR FEATURES

JAGUAR SENSE™

An electronic control system that operates the front overhead console lights and opening of the glovebox by a light touch.

JAGUAR SMART KEY SYSTEM™

With the Jaguar Smart Key in your pocket or bag, the car automatically unlocks as you pull the door handle. Simply push the ignition button to start the engine. Upon leaving, press a button on the door handle to lock the car or use the Jaguar Smart Key.

DUAL ZONE CLIMATE CONTROL

With humidity control, air filtration and dual temperature control for driver and front passenger.

FOUR ZONE CLIMATE CONTROL

Adds independent automatic temperature control for left and right rear passengers in addition to the front dual zone.

MASSAGE - FRONT SEATS

5 massage functions - wave, up, down, lumbar and shoulder with 5 levels of intensity.

MASSAGE - REAR SEATS

3 massage functions - wave, lumbar and shoulder.

LONG WHEELBASE

Long Wheelbase models feature additional space in the rear cabin with 1,109mm of rear legroom, 121mm more than the Standard Wheelbase. Additional features as standard include four zone automatic climate with independent temperature controls for rear seat passengers, illuminated rear vanity mirrors, rear privacy glass, rear window electric sunblind and rear passenger window manual sunblinds. Rear business trays, finished in hand crafted veneer, are also standard on XJL Supersport, and optional on XJL Premium Luxury.

MULTIMEDIA

VIRTUAL INSTRUMENTS¹

12.3 inch screen with TFT (Thin Film Transistor) technology that replaces a traditional instrument cluster. Virtual information display to include speed, rpm, distance, trip computer functionality and key information for navigation, audio and telephone. Includes normal, Winter and Dynamic Mode displays.

TOUCH-SCREEN¹

8 inch colour Touch-screen display that controls major functions including audio, climate control, Bluetooth® telephone connectivity, trip computer and navigation.

DUAL VIEW TOUCH-SCREEN^{1 2}

Allows driver and passenger to see two different views on the same 8 inch colour Touch-screen, enabling access to different functions at the same time. Driver enabled access to Touch-screen controls, audio and navigation. Passenger has WhiteFire® digital wireless headphones to watch TV or DVD via Dual View controls.

INTERACTIVE CONTROLS

Two 5-way steering wheel mounted controls allow the driver to manage frequently-used functions via Virtual Instrument menus without taking hands off the wheel or looking at Touch-screen menus. Additional controls below the steering wheel spokes operate Cruise Control, telephone and Interactive Voice functions.

INTERACTIVE VOICE^{1 3}

Gives the user voice control of audio, Bluetooth® telephone connectivity and navigation functions. When in operation, as well as audible prompts, all commands appear in the Virtual Instruments.

MEDIA HUB

The Media Hub allows various devices to be connected to the car, whether this is wirelessly via Bluetooth® or through the Front Media Interface for audio and video. Located in the centre console storage box, a docking panel includes a 3.5mm auxiliary jack plug socket, a 12-volt power supply, plus USB connector that allows connectivity with a wide range of USB devices. The dock is compatible with all iPod's from generation 3 to the latest iPod touch. It will also support any USB mass-storage device and MP3 players with USB connectivity. Full function control of iPod or MP3 is available through the Touch-screen menus.

REAR MEDIA INTERFACE

Part of Media Hub. Allows the connection of an iPod, MP3 player or one USB Mass Storage Device in the rear when Rear Entertainment is fitted.

SINGLE SLOT CD/DVD²

Single slot CD/DVD which is capable of playing video and audio discs. File formats include Windows Media Audio (WMA), AAC and MP3.

BLUETOOTH® AUDIO STREAMING

A Bluetooth® equipped Jaguar, enables hands free use of your mobile phone at any time when the phone is in the car through the Touch-screen. Bluetooth® also provides the ability to stream audio content, and full function control enables easy track selection. Bluetooth® is compatible with many mobile phones from most manufacturers including Apple, BlackBerry® and HTC – ask your local Jaguar dealer or visit jaguar.com.au for more details.

MULTIMEDIA (CONTINUED)

MERIDIAN AUDIO SYSTEM (380W)²

As Jaguar Audio System, with a powerful 12-channel Class-D, DSP amplifier featuring Audyssey MultEQ® audio equalisation, a hard disk drive (HDD) for storage of up to 10 CDs of uncompressed music and Dynamic Volume Control with 14 speakers, including 2 subwoofers and 2 8 inch front door woofers. In addition to the cabin audio output this system features 3 additional audio channels which can be accessed through the WhiteFire® digital wireless headphones when either Dual View or Rear Seat Entertainment is specified.

MERIDIAN SURROUND AUDIO SYSTEM (825W)²

As Jaguar Audio System, with either Dolby® Pro Logic® Ix or DTSTM neo 6, a hard disk drive (HDD) for storage of up to 10 CDs of uncompressed music and 20 speakers including 2 subwoofers and 2 front door woofers. In addition to the cabin audio output this system features 3 additional audio channels which can be accessed through the WhiteFire® digital wireless headphones when either Dual View or Rear Seat Entertainment is specified. The headphone system includes Dolby® Headphone Surround when listening to the DVD source.

MERIDIAN REFERENCE AUDIO SYSTEM (1300W)

As Meridian Surround Audio System (825W) but incorporating 26 super premium speakers. The system also incorporates DEC which is a progression of Dynamic Volume Control (DVC). This utilizes microphones to optimise the frequency response and level of the sound to compensate exactly for varying levels and types of noise registered. Conversation assist utilises microphones above each seating position to reinforce the occupants voice via the vehicles audio system. This makes it much easier for occupants to be heard clearly by the other occupants above any cabin noise.

NAVIGATION SYSTEM WITH HDD MAPPING¹

HDD based system, providing faster access to data, voice guidance, voice control input, Dynamic Route guidance, accessed through Touch-screen control system. The navigation system can be set to interact with the Virtual Instruments. On approach to a junction or turning, navigation information will be displayed in the information dial in the Virtual Instruments.

REAR SEAT ENTERTAINMENT²

State of the art digital Rear Entertainment system with either 8 inch or 10.2 inch dual screens with remote control function. The system also includes a Rear Media Interface, that allows connectivity with a wide range of USB devices. With Rear Seat Entertainment fitted, rear passengers can watch TV, DVD or streamed video via the Rear Media Interface. The system includes dual WhiteFire® digital wireless headphones and transmitter.

¹The navigation system must always be used in conditions that will not affect the driver's ability to drive safely or affect the safety of other road users

²Different DVDs exist in different regions. Please consult your local Jaguar dealer for details of which countries are covered by the DVD supplied with your vehicle

³Interactive Voice – please consult your local Jaguar dealer for language availability

Please consult your local Jaguar dealer for details.

OWNERSHIP EXPERIENCE

Service, assurance, and peace of mind are all part of the pride of owning your XJ.

THE JAGUAR ACCESSORY RANGE†

Enabling you to personalise your car, to create a driving experience that is even more individually rewarding. All Jaguar accessories are tested rigorously for safety and durability in the most arduous of climates and conditions. A comprehensive range of styling options, interior and exterior accessories, enabling you to tailor your XJ to suit your personal style. The full range of Jaguar accessories is available to view on-line, please visit jaguar.com.au for further information.

Any genuine Jaguar Accessories (excluding gift items and luggage from Jaguar Collection) supplied and fitted by a Jaguar dealer within one month or 1,500km (whichever occurs first) of a new vehicle being put into service will benefit from the same warranty terms and duration as the Vehicle Warranty. Accessories purchased outside of this period will be subject to 12 month unlimited mileage warranty.

BECAUSE ONLY THE BEST WILL DO

An official Jaguar dealer or Approved Service Centre can ensure that Jaguar trained, specialist technicians, with access to the full range of Jaguar approved parts and tools, will always be on hand to guarantee that every fitting, or repair, is carried out exactly the way Jaguar intended. Your Jaguar dealer or Approved Service Centre can also supply and fit Jaguar approved accessories to personalise and add to the practicality and style of your XJ model.

JAGUAR ROADSIDE ASSISTANCE

All Jaguar vehicles purchased in Australia benefit from complimentary Jaguar Roadside Assistance service for the length of the new car warranty. This covers you Australia-wide 24 hours per day, every day.

FREE SCHEDULED SERVICE

3 year/100,000 kilometre free* scheduled service programme (wear and tear items not included).**

WARRANTY*

3 year unlimited kilometre Mechanical Warranty together with a 3 year unlimited kilometre Paint Surface Warranty and 6 year unlimited kilometre Corrosion (Perforation) Warranty.

JAGUAR MAGAZINE

Jaguar Magazine is the official magazine of Jaguar Cars. It features the new Jaguar XJ, XK and XF, and the worlds of luxury, style, design and travel. The fully interactive Jaguar Magazine iPad app takes the very best of the print edition of the Magazine and adds extra images, and exclusive information, allowing you to explore Jaguar's world in a whole new way.

JAGUAR.COM.AU

Jaguar's official interactive website contains the latest information on Jaguar models and pricing. It also features helpful tools such as a dealer locator and a new model configurator allowing you to see the car tailored to your specification and colour.

†All Jaguar Approved Accessories are rigorously tested to the same exacting standards as those applied to our vehicles. Performance in extreme hot and cold temperatures, corrosion resistance, impact and airbag deployment highlight some of the exhaustive product testing carried out so that Accessories are both durable and importantly, continue to comply with current legislation

*Terms and conditions apply. Please contact your local Jaguar dealer for more information

**Wear and tear items include battery, tyres, oils and additives