

**“Boom” at 2900 RPM –
Rear Differential –
Install Weight Under Differential**

MODEL 2002 MY
X-TYPE
VIN C00001-C83408

Issue:

Some 2002 MY X-TYPE vehicles may experience an unacceptable “boom” at 2900 RPM. A 2 Kg damper weight is available that can be installed under the rear final drive unit to address this concern.

Action:

In case of a customer complaint of the above condition on a 2002 X-TYPE vehicle within the above VIN range, install a new 2 Kg damper beneath the rear final drive as follows:

DAMPER WEIGHT INSTALLATION PROCEDURE

1. Raise vehicle on a lift.
2. Remove damper-to-final drive casing securing bolt (Illustration 1).

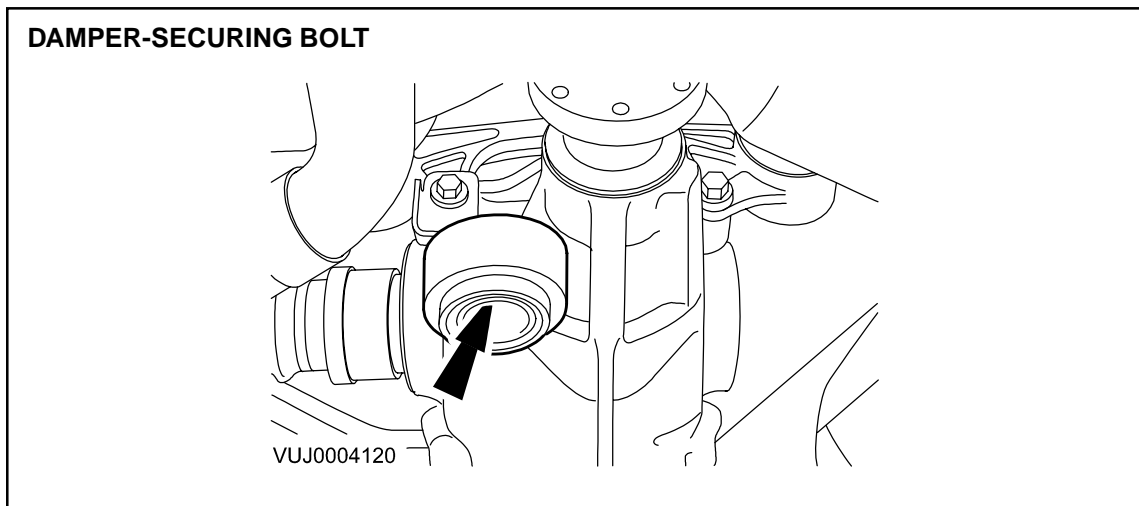


ILLUSTRATION 1

3. Remove the existing damper and place aside.
4. Remove one of the two damper spacing washers and discard.

Note: Only one damper spacer washer is required to space the damper away from the final drive casing.

5. Align new damper to final drive casing.
6. Install and tighten new damper-to-final drive casing securing bolt to 47.5 Nm (35 lb ft).
7. Lower vehicle.

Parts Information:

<u>DESCRIPTION</u>	<u>PART NUMBER</u>	<u>QTY</u>
Final drive damper	C2S 23949	1
Final drive damper bolt	C2S 24741	1

Warranty Information:

Warranty claims should be submitted quoting the information found in the table below. This will result in payment of the stated time and, where applicable parts/miscellaneous expense codes as listed.

Description	SRO	Time	Causal Part Number	Causal Part Description
Install dynamic absorber	51.25.23	0.2 hrs.	C2S 11976	damper