

Driveline Noise – Sound Transfer From  
Transmission And Driveline –  
Install Sound Deadening Liner

MODEL 2002 MY-ON  
X-TYPE

VIN C00001-ON

**Issue:**

Owners of some X-TYPE vehicles may have a concern of a driveline noise. A new sound deadening liner is now available to dampen the transfer of noise from the transmission case and driveline housings into the vehicle interior.

**Action:**

Before carrying out any repairs for a concern of driveline noise, install the sound deadening liner between the exhaust intermediate pipe heat shield and the underbody as outlined below.

INSTALLING SOUND DEADENING LINER

1. Raise vehicle on lift.
2. Mark the position of the driveshaft center bearing carrier to the body.

**⚠ Caution:** Support the driveshaft center bearing using a suitable transmission jack.

3. Remove and retain the driveshaft center bearing securing bolts (Illustration 1).

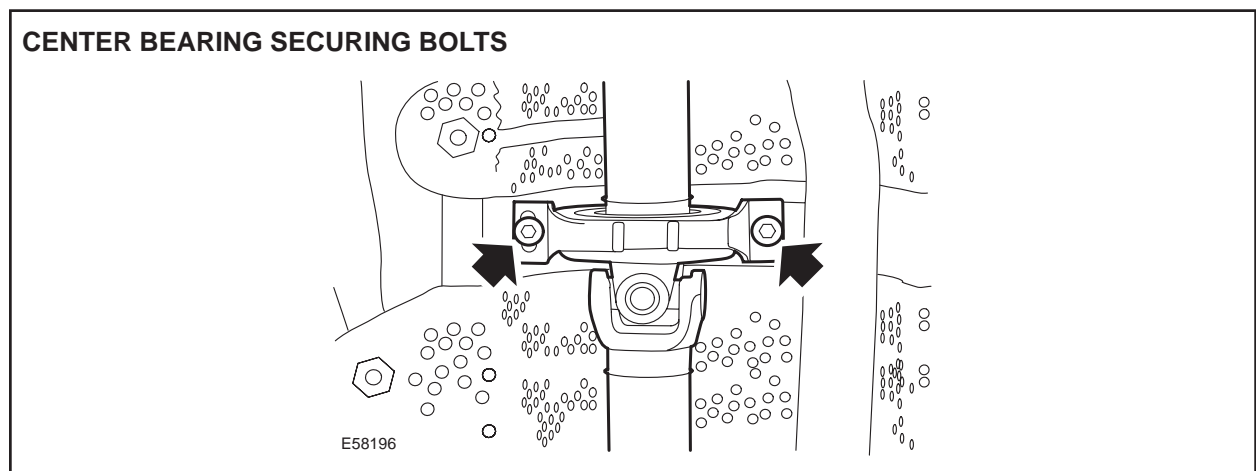


ILLUSTRATION 1

**NOTE: THE INFORMATION IN TECHNICAL BULLETINS IS INTENDED FOR USE BY TRAINED, PROFESSIONAL TECHNICIANS WITH THE KNOWLEDGE, TOOLS, AND EQUIPMENT TO DO THE JOB PROPERLY AND SAFELY. IT INFORMS THESE TECHNICIANS OF CONDITIONS THAT MAY OCCUR ON SOME VEHICLES, OR PROVIDES INFORMATION THAT COULD ASSIST IN PROPER VEHICLE SERVICE. THE PROCEDURES SHOULD NOT BE PERFORMED BY "DO-IT-YOURSELFERS." DO NOT ASSUME THAT A CONDITION DESCRIBED AFFECTS YOUR CAR. CONTACT A JAGUAR RETAILER TO DETERMINE WHETHER THE BULLETIN APPLIES TO YOUR VEHICLE.**

4. Remove the intermediate pipe hanger to underbody securing bolts (Illustration 2).

#### INTERMEDIATE PIPE HANGER BOLTS

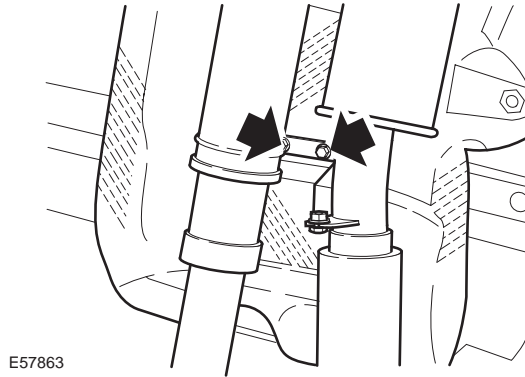


ILLUSTRATION 2

5. Remove the front heat shield securing nuts (Illustration 3).

#### HEAT SHIELD SECURING NUTS

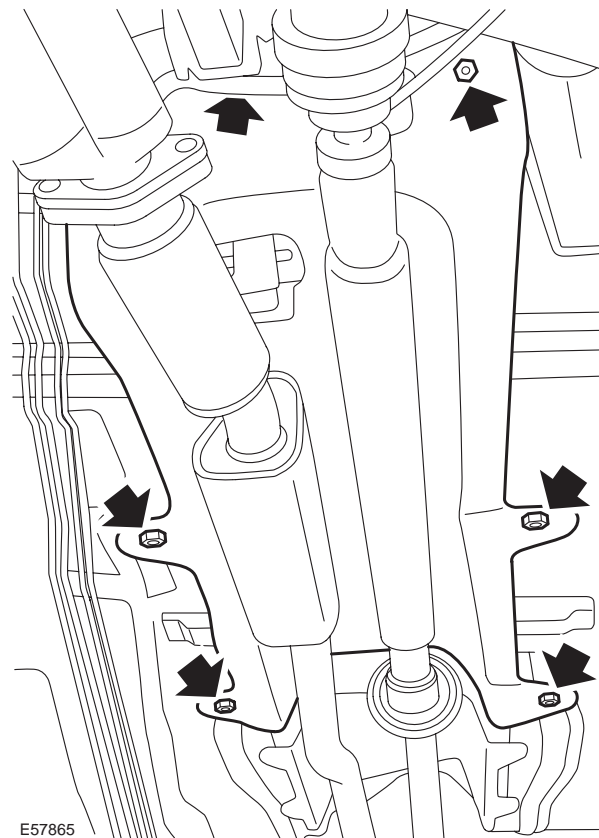


ILLUSTRATION 3

6. Reposition the heat shield from the securing studs.
7. Align and install the sound deadening liner between the heat shield and the underbody.

8. Reposition and align the heat shield to the securing studs.
9. Install the heat shield securing nuts.
10. Install the intermediate pipe hanger to underbody securing bolts.
11. Reposition and align the driveshaft center bearing carrier to the marks and install and tighten the retrieved driveshaft center bearing securing bolts to 25 Nm.
12. Remove the transmission jack.
13. Lower vehicle.

**Global Technical Reference (GTR) Workshop Manual Information:**

Dealer access: <https://hub.franchise.jaguar.com>

Internet access: <http://www.jaguartechno.com>

**Parts Information:**

<u>DESCRIPTION</u>	<u>PART NUMBER</u>	<u>QTY</u>
Sound deadening liner	C2S 40533	1

**Warranty Information:**

Warranty claims should be submitted quoting the information found in the table below. This will result in payment of the stated time and, where applicable parts/miscellaneous expense codes as listed.

Description	SRO	Time	Causal Part Number
Install sound deadening liner	76.94.72	0.4 hrs.	C2S 40533