

Rear Suspension Creak –  
Spring Interfering With Body Cone –  
Replace Spring and Isolator

MODEL 2002 MY  
X-TYPE  
VIN C00334-C25834

**Issue:**

Some 2002 MY X-TYPE vehicles within the above VIN range may experience a creaking noise coming from the rear suspension. The noise is caused by the top mounting of the rear suspension spring interfering with the body cone.

To eliminate this condition, the rear spring and top mounting isolator can be replaced as a vehicle set.

**Action:**

In case of a customer complaint of the above condition on a 2002 MY X-TYPE vehicle within the above VIN range, follow the workshop procedure below.

REPAIR PROCEDURE

1. Raise vehicle on lift.
2. Remove rear wheels and tires (see Workshop Manual JTS CD ROM, section: 204-04, SRO 74.20.05).
3. Using suitable tie straps, secure the rear suspension spring to the subframe.
4. Using a suitable transmission jack, support the rear lower arm.

**⚠ Caution:** Make sure that excessive strain is not placed on the rear lower arm.

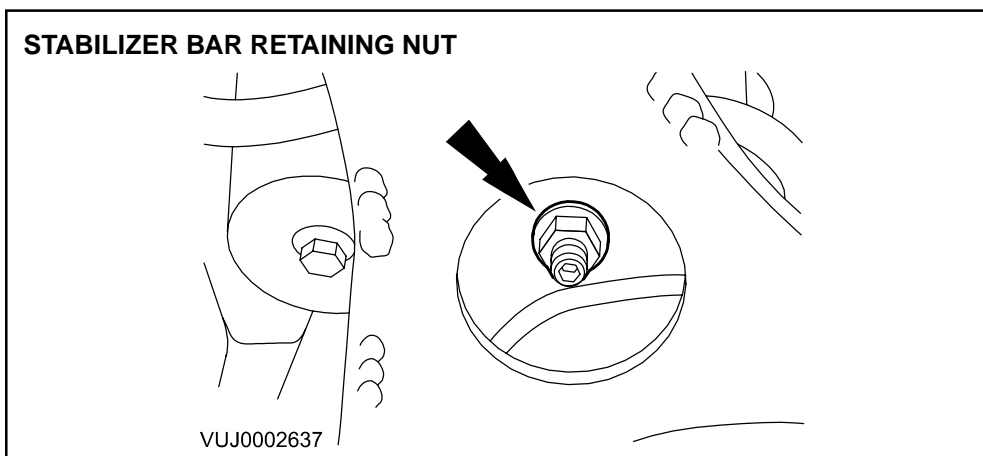


ILLUSTRATION 1

5. Detach the stabilizer bar (Illustration 1).

### HUB CARRIER SECURING NUT

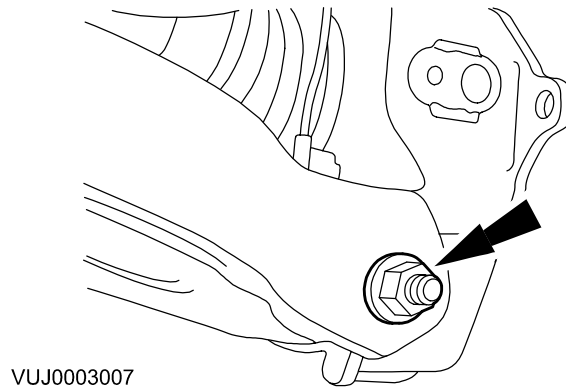


ILLUSTRATION 2

6. Detach the rear lower arm from hub carrier (Illustration 2).

### REAR LOWER ARM SECURING NUT AT SUBFRAME

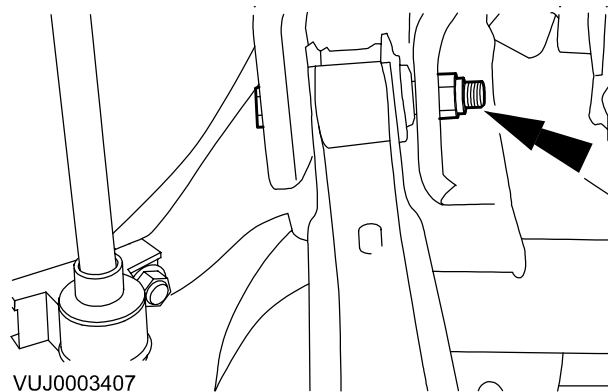


ILLUSTRATION 3

7. Loosen the rear lower arm from the subframe (Illustration 3).

**⚠ Warning:** Carefully lower the transmission jack to release spring tension.

8. Remove transmission jack.

## REMOVING REAR SPRING AND ISOLATOR

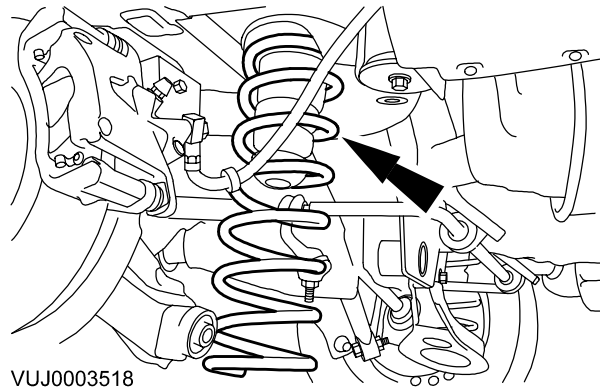


ILLUSTRATION 4

9. Remove the rear suspension spring and top mounting isolator (Illustration 4).

## MOUNTING ISOLATOR

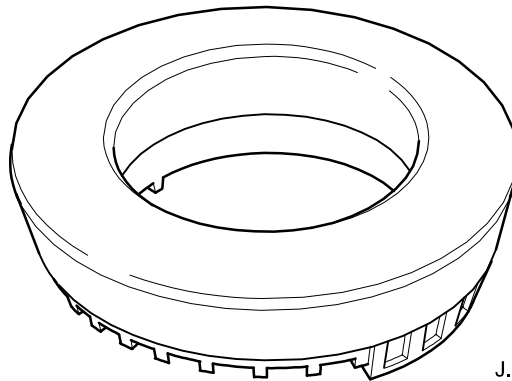


ILLUSTRATION 5

10. Place new mounting isolator on new rear suspension spring (Illustration 5).
11. Insert new rear suspension spring in lower arm.

**Note:** When installing the new spring the color code must be the same as the spring removed.

12. Place transmission jack underneath lower arm.
13. Raise transmission jack.

### HUB CARRIER SECURING NUT

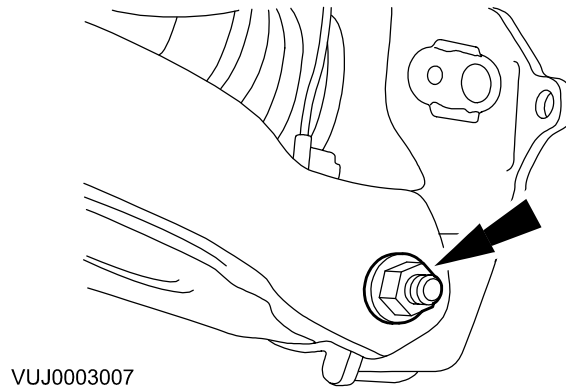


ILLUSTRATION 6

14. Attach the rear lower arm but do not fully tighten securing nut and bolt (Illustration 6).

**Note:** The final tightening of the rear suspension components must be carried out with the vehicle's weight fully on its wheels.

15. Lower transmission jack.

### STABILIZER BAR RETAINING NUT

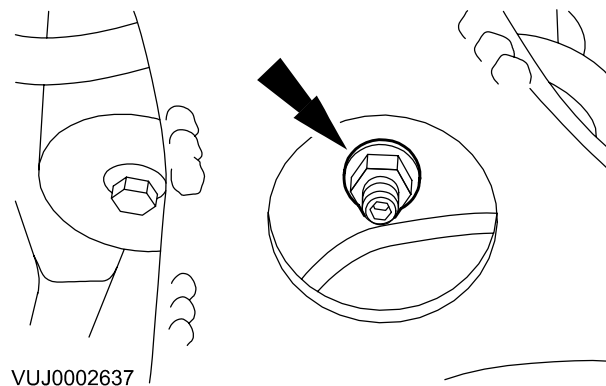


ILLUSTRATION 7

16. Install stabilizer bar link but do not fully tighten securing nut and bolt (Illustration 7).
17. Remove transmission jack.

**Note:** Repeat steps 3 to 17 on opposite side of vehicle.

18. Install rear wheels and tires. Tighten the wheel nuts to 103 Nm for alloy wheels (see Workshop Manual JTIS CD ROM, section: 204-04, SRO 74.20.05).

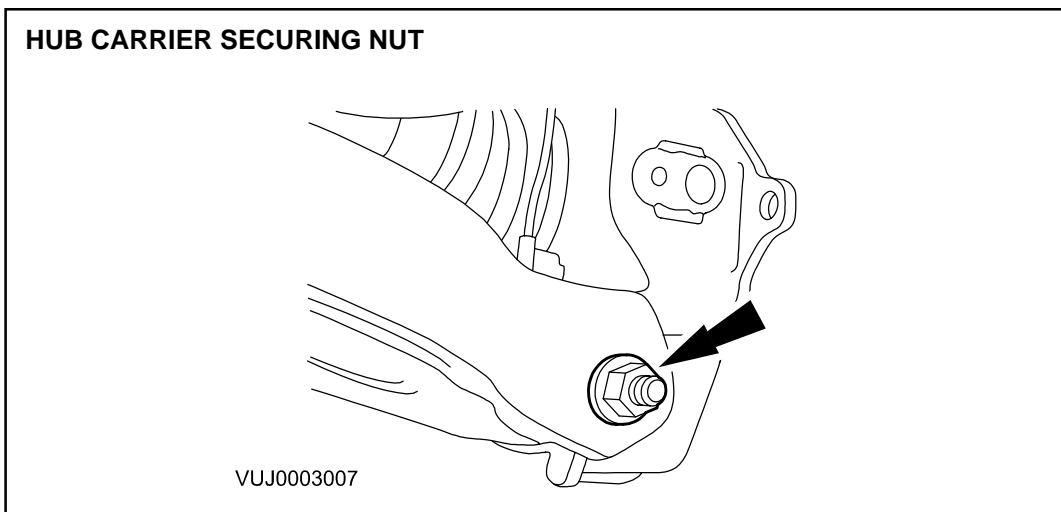


ILLUSTRATION 8

19. Tighten rear lower arm to hub carrier securing nuts and bolts to 115 Nm (Illustration 8).

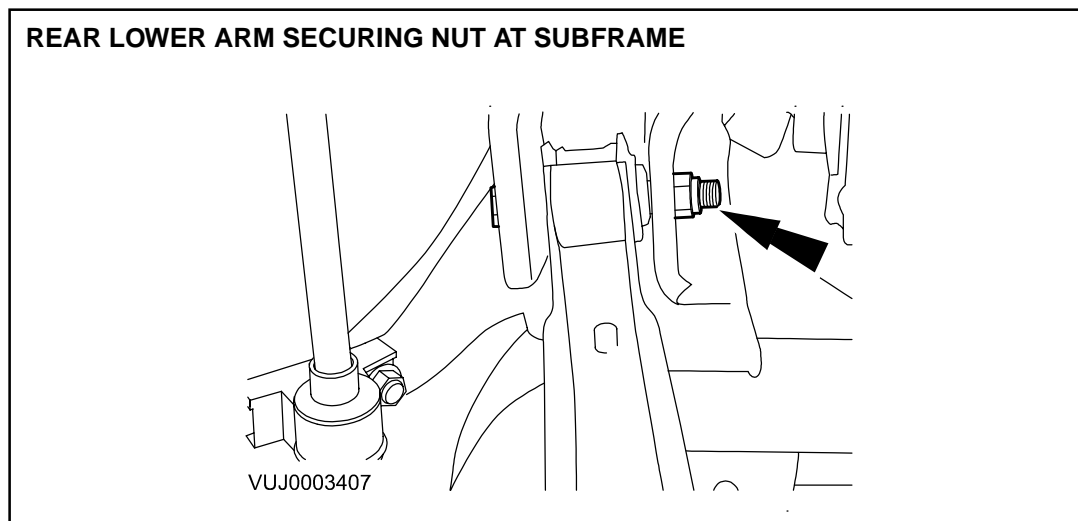


ILLUSTRATION 9

20. Tighten the rear lower arm to subframe securing nuts and bolts to 115 Nm (Illustration 9).
21. Tighten stabilizer bar link securing nuts to 35 Nm.
22. Check and adjust four wheel alignment as necessary.  
Front toe:  $-0.10^{\circ}$  to  $-0.30^{\circ}$  (toe out)  
Rear toe:  $+0.01^{\circ}$  to  $+0.21^{\circ}$  (toe in)

**Parts Information:**

<u>DESCRIPTION</u>	<u>COLOR CODE</u>	<u>PART NUMBER</u>	<u>QTY</u>
Rear road springs comfort high	Green/Green	C2S 20845	2
Rear road springs comfort low	Green	C2S 20843	2
Rear road springs sport high	Violet/Violet	C2S 20846	2
Rear road springs sport low	Violet	C2S 20844	2
Isolators		C2S 19793	2

**Warranty Information:**

<u>FAULT CODE</u>	<u>R.O. NUMBER</u>	<u>DESCRIPTION</u>	<u>TIME ALLOWANCE</u>
GR BB 41	64.20.02	Install rear road springs and top mounting isolators	1.3 hrs.