

**Whine on Deceleration at 112 Km/h (70 MPH)
– Rear Differential –
Add Weight to Differential Bracket**

MODEL 2002 MY-ON
X-TYPE
VIN C00001-ON

Issue:

Some 2002 MY X-TYPE vehicles may experience a whining noise from the differential on deceleration at speeds of around 112 Km/h/70 mph. This bulletin provides a procedure to “retune” the differential mounting bracket by adding mass (weight) to it.

Action:

In case of a customer complaint of the above condition on a 2002 MY X-TYPE remove and retune the differential mounting bracket as outlined in the following procedure.

MODIFICATION PROCEDURE

1. Raise vehicle.
2. Remove rear wheels and tires.
3. Remove the rear differential. Refer to JTIS, section: 205-02 SRO 51.25.13.
4. Remove the rear sub frame from the vehicle. Refer to JTIS, section: 502-00 SRO 64.25.01.90.
5. Remove the differential mounting bracket to rear sub frame securing bolts.
6. Remove the differential mounting bracket from the rear sub frame assembly.
7. Clean outer ends of the differential mounting bracket with cleaning fluid.
8. Cut the two 120 g strips of wheel weights into four 60 g strips, remove backing tape and apply wheel weights to the differential mounting bracket (Illustration 1).

Note: Firmly push along the full length of the wheel weight strips to ensure good adhesion to the differential mounting bracket.

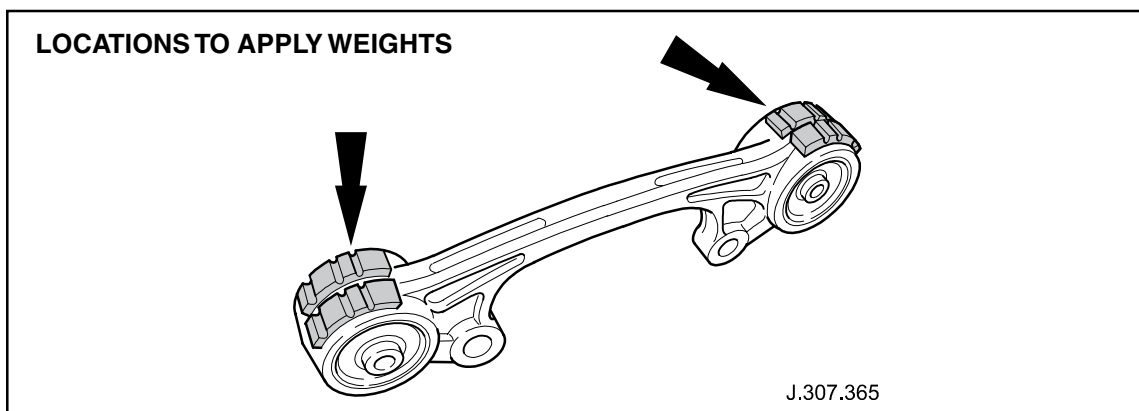


ILLUSTRATION 1

9. Reinstall the differential mounting bracket to the rear sub frame.
10. Install the securing bolts for the differential mounting bracket. Torque figure 106 Nm.
11. Reinstall the rear sub frame to vehicle. Refer to JTIS, section: 502-00.
12. Reinstall the rear differential. Refer to JTIS, section: 205-02 SRO 51.25.13.
13. Perform the under body misalignment check in JTIS, section 502-00 SRO 64.25.01.90.
14. Reinstall rear wheel and tire assemblies.
15. Lower vehicle.

Parts Information:

<u>DESCRIPTION</u>	<u>PART NUMBER</u>	<u>QTY</u>
120 g strip of wheel weights	XR8 9312	2

Warranty Information:

<u>FAULT CODE</u>	<u>R.O. NUMBER</u>	<u>DESCRIPTION</u>	<u>TIME ALLOWANCE</u>
GM BR 07	51.91.15	Install weights on rear differential	4.2 hrs.