



X-TYPE

DATE 06/05

XT308-06

SERVICE

TECHNICAL BULLETIN

Difficult/High Effort Engagement Into First Or
Reverse – Clutch Disc Sticking –
Regrease Input Splines

MODEL 2002-05 MY
X-TYPE

VIN C00001-E65884

Issue:

Some X-TYPE vehicles may exhibit difficulty engaging first or reverse gear, especially when the vehicle is cold. This can be caused by the clutch disc sticking on the transmission input shaft splines.

Action:

In case of a verified complaint having confirmed the cause as being the clutch disc sticking on the transmission input shaft splines, apply grease to splines. Follow the Service Instruction outlined below.

1. Remove the transmission (see Global Technical Reference GTR Workshop Manual, section: 308-03).
2. Clean input shaft splines using a suitable wire brush.

NOTE: THE INFORMATION IN TECHNICAL BULLETINS IS INTENDED FOR USE BY TRAINED, PROFESSIONAL TECHNICIANS WITH THE KNOWLEDGE, TOOLS, AND EQUIPMENT TO DO THE JOB PROPERLY AND SAFELY. IT INFORMS THESE TECHNICIANS OF CONDITIONS THAT MAY OCCUR ON SOME VEHICLES, OR PROVIDES INFORMATION THAT COULD ASSIST IN PROPER VEHICLE SERVICE. THE PROCEDURES SHOULD NOT BE PERFORMED BY "DO-IT-YOURSELFERS." DO NOT ASSUME THAT A CONDITION DESCRIBED AFFECTS YOUR CAR. CONTACT A JAGUAR DEALER TO DETERMINE WHETHER THE BULLETIN APPLIES TO YOUR VEHICLE.

Caution: Too much grease applied to the input shaft splines may lead to contamination of the clutch disc.

- Apply grease (specification ESD-M1C220-A or Castrol Pyroplex Red or Castrol Pyroplex Blue) to the circumference of the input shaft splines, not exceeding a length of 5 mm as shown in Illustration 1.

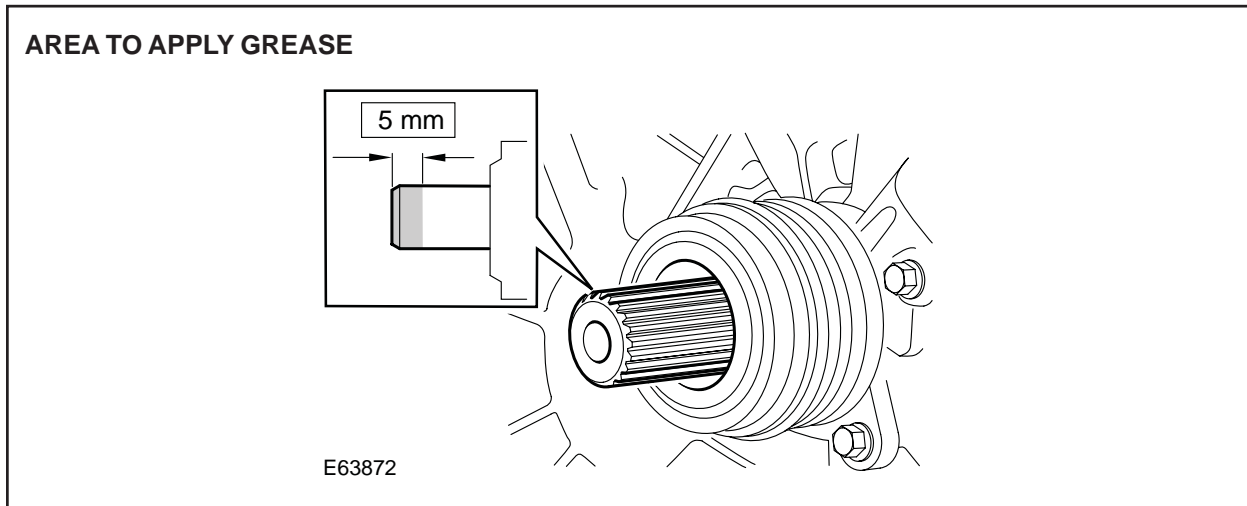


ILLUSTRATION 1

- Install manual transmission (see Global Technical Reference GTR Workshop Manual, section: 308-03).

Global Technical Reference (GTR) Workshop Manual Information:

Dealer access: <https://hub.franchise.jaguar.com>

Internet access: <http://www.jaguartechno.com>

Parts Information:

DESCRIPTION

N/A

PART NUMBER

QTY

Warranty Information:

Warranty claims should be submitted quoting the information found in the table below. This will result in payment of the stated time and, where applicable parts/miscellaneous expense codes as listed.

Description	SRO	Time	Causal Part Number
Grease transmission shaft splines - Service fix	37.20.01	8.8 hrs.	C2S 39943