

# TECHNICAL BULLETIN

LT310-001

29 OCT 2004



© Jaguar Land Rover Limited  
All rights reserved.

**This reissue replaces all previous versions. Please destroy all previous versions. This bulletin supersedes TSB LT310-001/2004 dated 10 AUG 2004, which should either be destroyed or clearly marked to show it is no longer valid (e.g. with a line across the page). Only refer to the electronic version of this Technical Bulletin in TOPIx.**

## **SECTION: 310-01 (Fuel Delivery System - 19)**

Discovery II Td5 Poor Starting/Noisy Fuel Pump

### **AFFECTED VEHICLE RANGE:**

Discovery Series II (LT)

VIN:

4A 833457-4A 838204

### **MARKETS:**

All

### **CONDITION SUMMARY:**

#### **Situation:**



**NOTE: Do not change the fuel pump or other components until this procedure has been performed.**

A customer may report a concern of poor starting, and/or a noisy fuel pump, particularly after the vehicle has not been used for several hours.

Affected cars are typically low mileage.

This bulletin has been re-issued as a service repair kit is now available so that replacing the complete fuel filter-head is no longer necessary.

**Cause:** The O-ring seal on the fuel filter air bleed valve may be split, allowing air into the fuel system (If air is being introduced into the fuel system, it will make the primary fuel pump sound noisy).

**Action:** Should a customer express concern regarding the above, refer to the Service Instruction detailed in this Bulletin

### **PARTS:**

WJN500110

Fuel filter - O ring service kit

Quantity: 1

### **WARRANTY:**



**NOTE: Repair procedures are under constant review, and therefore times are subject to change; those quoted here must be taken as guidance only. Always refer to TOPIx to obtain the latest repair time.**



**NOTE: DDW requires the use of causal part numbers. Labor only claims must show the causal part number with a quantity of zero.**

| DESCRIPTION                                     | SRO         | TIME      | CONDITION CODE | CAUSAL PART  |
|---|-------------|-----------|----------------|--------------|
| Inspect fuel filter air bleed valve O-ring seal | 19.25.89/32 | 0.2 hours | 53             | WJN500080/90 |



**NOTE: Normal Warranty procedures apply.**

### **SERVICE INSTRUCTION:**

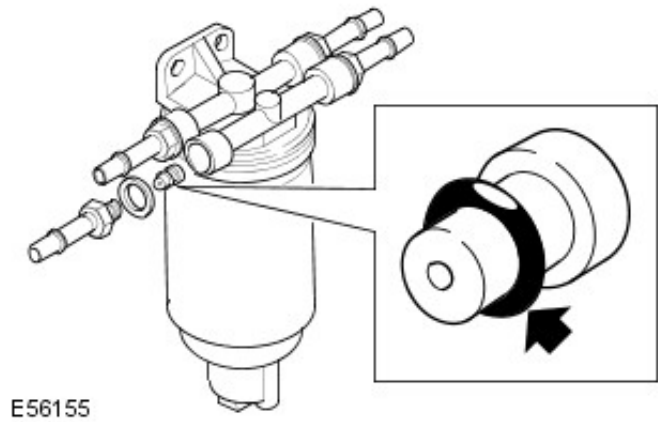
1 Confirm that the O-ring described is at fault:

2 Prepare for diesel fuel spillage in the area around the in-line fuel filter assembly (right rear wheel arch area).

**3** Remove the fuel return pipe from the fuel filter (white coded connector).

**4** Using a 19mm spanner, unscrew the brass adaptor from the assembly.

**5** Withdraw the air bleed valve from inside the brass fitting. Inspect the O-ring and plastic body for splits and damage.



**6** If the O-ring is damaged, renew parts provided in the service repair kit.

**7** Prime the fuel system using the ignition cycling procedure described in the Owner's Handbook (Driving and Operating / Fuel Filling / Empty Fuel Tank).

**8** Run the engine for 10 minutes to purge all air from the fuel system.