

# RANGE ROVER SPORT

## 2015 AUSTRALIAN SPECIFICATIONS

The information in product brochure LRML 4647/14 is produced for global English markets and may include models, technical data, specifications and accessories not available in Australia. This section of the brochure includes specific Australian models, specifications and options availability.



ABOVE AND BEYOND

# RANGE ROVER SPORT

RANGE ROVER SPORT MODEL	3.0L TDV6 DIESEL	3.0L SDV6 DIESEL	3.0L SDV6 HYBRID	4.4L SDV8 DIESEL	3.0L V6 SUPERCHARGED PETROL	5.0L V8 SUPERCHARGED PETROL
S	■					
SE	■	■			■	
HSE		■	■	■	■	
HSE Dynamic				■		■
Autobiography		■	■			
Autobiography Dynamic						■
Recommended Retail Price (RRP)						
<b>3.0L TDV6 DIESEL (190kW)</b>						
S						POA
SE						POA
<b>3.0L SDV6 DIESEL (215kW)</b>						
SE						POA
HSE						POA
Autobiography						POA
<b>3.0L SDV6 DIESEL HYBRID (250kW)</b>						
HSE						POA
Autobiography						POA
<b>4.4L SDV8 DIESEL (250kW)</b>						
HSE						POA
HSE Dynamic						POA
<b>3.0L V6 SUPERCHARGED PETROL (250kW)</b>						
SE						POA
HSE						POA
<b>5.0L V8 SUPERCHARGED PETROL (375kW)</b>						
HSE Dynamic						POA
Autobiography Dynamic						POA

## TECHNICAL SPECIFICATIONS

ENGINE DATA	3.0L TDV6 DIESEL	3.0L SDV6 DIESEL	3.0L SDV6 HYBRID	4.4L SDV8 DIESEL	3.0L V6 SUPERCHARGED PETROL	5.0L V8 SUPERCHARGED PETROL
Capacity (cc)	2,993	2,993	2,993	4,367	2,995	5,000
No. of cylinders	6	6	6	8	6	8
Cylinder layout	Longitudinal V6	Longitudinal V6	Longitudinal V6	Longitudinal V8	Longitudinal V6	Longitudinal V8
Valves per cylinder	4	4	4	4	4	4
Bore (mm)	84.0	84.0	84.0	84.0	84.5	92.5
Stroke (mm)	90.0	90.0	90.0	98.5	89.0	93.0
Compression ratio (:1)	16.1	16.1	16.1	16.1	10.5	9.5
Maximum power (kW @ rpm)	190 @ 4,000	215 @ 4,000	250 @ 4,000	250 @ 3,500	250 @ 6,500	375 @ 6,000-6,500
Maximum torque (Nm @ rpm)	600 @ 2,000	600 @ 2,000	700 @ 1,500-3,000	740 @ 1,750-2,300	450 @ 3,500-5,000	625 @ 2,500-5,500

# TECHNICAL SPECIFICATIONS (CONT)

	3.0L TDV6 DIESEL	3.0L SDV6 DIESEL	3.0L SDV6 HYBRID	4.4L SDV8 DIESEL	3.0L V6 SUPERCHARGED PETROL	5.0L V8 SUPERCHARGED PETROL
<b>BRAKES</b>						
Front type	Ventilated disc	Ventilated disc	Ventilated disc	Ventilated disc	Ventilated disc	Ventilated disc
Front diameter (mm)	350	380	380	350	350	380
Rear type	Ventilated disc	Ventilated disc	Ventilated disc	Ventilated disc	Ventilated disc	Ventilated disc
Rear diameter (mm)	350	365	365	350	350	365
<b>WEIGHTS (kg)</b>						
Weight from	2,115	2,115	2,372	2,398	2,144	2,310
Gross Vehicle Weight (5 seats/5 + 2 Seats)	3,000/3,150	3,000/3,150	3,150/3,250	3,200/3,250	2,950/3,100	3,050/3,250
Maximum mass on front axle (5 seats/5 + 2 Seats)	1,500/1,500	1,500/1,500	1,550/1,550	1,500/1,500	1,500/1,500	1,500/1,500
Maximum mass on rear axle (5 seats/5 + 2 Seats)	1,775/1,900	1,775/1,900	1,775/1,900	1,775/1,900	1,775/1,900	1,775/1,900
<b>TOWING (kg)</b>						
Unbraked trailer	750	750	750	750	750	750
Maximum towing	3,500	3,500	3,000	3,500	3,500	3,500
Maximum coupling point/nose weight	350	350	300	350	350	350
Maximum vehicle and trailer combination (5 seats/5 + 2 Seats)	6,500/6,650	6,500/6,650	6,150/6,250	6,700/6,750	6,450/6,600	6,550/6,700
<b>ROOF CARRYING (kg)</b>						
Maximum roof load (including roof rails)	100	100	100	100	100	100
<b>PERFORMANCE</b>						
Maximum speed (km/h)	210	210	210	210	210	225
Acceleration 0-100 km/h (secs)	7.6	7.2	6.7	6.9	7.2	5.3
Fuel tank capacity – usable (litres)	80	80	80	105	105	105
<b>FUEL ECONOMY</b>						
Urban (l/100km)	8.3	8.7	6.7	11.5	15.4	20.6
Extra urban (l/100km)	6.7	6.8	6.3	7.6	8.9	9.9
Combined (l/100km)	7.3	7.5	6.4	8.7	11.3	13.8
CO2 combined emissions (g/km)	194	199	169	229	264	322

# TRANSMISSION AND DRIVING DYNAMICS

TRANSMISSION	CODE	TDV6 S	TDV6 SE	SDV6 SE	SDV6 HSE	SDV6 AUTO-BIOGRAPHY	SDV8 HSE	V6 SC SE	V6 SC HSE
8-Speed Automatic Transmission		■	■	■	■	■	■	■	■
Stop/Start		■	■	■	■	■	–	–	–
Paddle Shift	078CB	\$460	\$460	\$460	■	■	■	■	■
Premium Paddle Shift – Noble Plated	078CC	\$570	\$570	\$570	\$110	\$110	\$110	\$110	\$110
Single Speed Transfer Box (High Range Only)	043BE	■	■	–	–	–	–	■	■
Twin Speed Transfer Box (High/Low Range)	043BF	–	–	■	■	■	■	P1	P1
<b>FUEL SYSTEM</b>									
Fuel Flap – Requires central locking		■	■	■	■	■	■	■	■
Diesel Particulate Filter (DPF)		■	■	■	■	■	■	–	–
No Diesel Particulate Filter (DPF)		–	–	–	–	–	–	■	■

## TRANSMISSION AND DRIVING DYNAMICS (CONT)

DRIVING AND DYNAMICS	CODE	TDV6 S	TDV6 SE	SDV6 SE	SDV6 HSE	SDV6 AUTO-BIOGRAPHY	SDV8 HSE	V6 SC SE	V6 SC HSE
Anti-lock Braking System (ABS)		■	■	■	■	■	■	■	■
Cornering Brake Control (CBC)		■	■	■	■	■	■	■	■
Dynamic Stability Control (DSC)		■	■	■	■	■	■	■	■
Emergency Brake Assist (EBA)		■	■	■	■	■	■	■	■
Electronic Brake-Force Distribution (EBD)		■	■	■	■	■	■	■	■
Speed Proportional Electric Power Assisted Steering (EPAS)		■	■	■	■	■	■	■	■
Electronic Traction Control (ETC)		■	■	■	■	■	■	■	■
Gradient Acceleration Control (GAC)		■	■	■	■	■	■	■	■
Gradient Release Control (GRC)		■	■	■	■	■	■	■	■
Hill Descent Control (HDC)		■	■	■	■	■	■	■	■
Electric Parking Brake		■	■	■	■	■	■	■	■
Electronic 4 Corner Air Suspension (4CAS) Cross-Requires Auto Load Levelling		■	■	■	■	■	■	■	■
Reactive Grounding Response		■	■	■	■	■	■	■	■
Active Vanes (Upper Only)		■	■	■	■	■	■	-	-
Terrain Response®		■	■	-	-	-	-	■	■
Terrain Response® 2 Auto	0881A	-	-	■	■	■	■	P1	P1
Adaptive Dynamics	027CW	-	-	■	■	■	■	P1	P1
Dynamic Response™	027AM	-	-	P2	P2	P2	■	-	-
Dynamic Program	0881B	-	-	P2	P2	P2	■	-	-
Torque Vectoring	027DC	-	-	P2	P2	P2	■	-	-
Red Painted Brake Calipers	020BE	-	-	\$800	\$800	\$800	\$800	-	-

## EXTERIOR FEATURES AND FINISHERS

GLASS AND EXTERIOR MIRRORS	CODE	TDV6 S	TDV6 SE	SDV6 SE	SDV6 HSE	SDV6 AUTO-BIOGRAPHY	SDV8 HSE	V6 S/C SE	V6 S/C HSE
Acoustic Laminated Windscreen		■	■	■	■	■	■	■	■
Power Windows (front and rear) with Remote Power Locking (Global Close)		■	■	■	■	■	■	■	■
Rain Sensing Windscreen Wipers		■	■	■	■	■	■	■	■
Heated Off Screen Wiper		■	■	■	■	■	■	■	■
Heated Rear Window		■	■	■	■	■	■	■	■
Rear Wash Wiper		■	■	■	■	■	■	■	■
Toughened Front, Rear Door and Quarter Light Glass		■	-	-	-	-	-	-	-
Laminated Front Door, Toughened Rear Door and Quarter Light Glass		-	■	■	■	■	■	■	■
Metal Roof		■	■	■	■	■	■	■	■
Fixed Panoramic Roof (includes power blinds)	041CX	\$3,400	\$3,400	\$3,400	\$3,400	\$3,400	\$3,400	\$3,400	\$3,400
Sliding Panoramic Roof (includes power blinds)	041CZ	\$4,200	\$4,200	\$4,200	\$4,200	\$4,200	\$4,200	\$4,200	\$4,200
Heated Windscreen	040AK	\$440	\$440	\$440	\$440	\$440	\$440	\$440	\$440
Solar Attenuating Windscreen (N/A with 047AB Glass)	047AH	\$1,400	\$1,400	\$1,400	\$1,400	\$1,400	\$1,400	\$1,400	\$1,400
Privacy Glass – rear of B pillar (N/A with 047AH Windscreen)	047AB	\$900	\$900	\$900	\$900	\$900	\$900	\$900	\$900
Privacy Glass with Solar Attenuating Glass – rear of B pillar (N/A with 047AB Glass)	047AV	\$2,300	\$2,300	\$2,300	\$2,300	\$2,300	\$2,300	\$2,300	\$2,300

# EXTERIOR FEATURES AND FINISHERS (CONT)

GLASS AND EXTERIOR MIRRORS	CODE	TDV6 S	TDV6 SE	SDV6 SE	SDV6 HSE	SDV6 AUTO-BIOGRAPHY	SDV8 HSE	V6 S/C SE	V6 S/C HSE
Power Adjustable, Heated Exterior Mirrors with Auto Reverse Dipping		■	■	■	–	–	–	■	–
Power Adjustable, Heated Exterior Mirrors with Auto Reverse Dipping, Approach Lamps & Power Folding <i>(Memory function added when fit with memory seats)</i>	030NM	\$600	\$600	\$600	■	■	■	\$600	■
Power Adjustable, Heated Exterior Mirrors with Auto Reverse Dipping, Approach Lamps, Power Folding & Auto Dimming <i>(Requires 030NY interior mirror. Memory function added when fit with memory seats)</i>	031EB	\$1,000	P21	P21	P22	\$400	P22	P21	P22
<b>HEADLAMPS &amp; LIGHTING</b>									
Follow-Me-Home Lighting		■	■	■	■	■	■	■	■
Daytime Running Lights (DRL)		■	■	■	■	■	■	■	■
Automatic Headlamps		■	■	■	■	■	■	■	■
LED Rear Lamps		■	■	■	■	■	■	■	■
Front Fog Lamps		■	■	■	■	■	■	■	■
Rear Fog Lamps		■	■	■	■	■	■	■	■
Side Repeater Indicators in Mirror		■	■	■	■	■	■	■	■
Centre High Mounted Stop Lamp		■	■	■	■	■	■	■	■
Hazard Lights Under Heavy Braking		■	■	■	■	■	■	■	■
Halogen Headlamps		■	■	■	–	–	–	■	–
Xenon Headlamps with LED Signature & Headlamp Powerwash	064CW	P20	P21	P21	■	■	■	P21	■
Adaptive Xenon Headlamps with LED Signature & Headlamp Powerwash	064DI	–	–	–	\$1,000	\$1,000	\$1,000	–	\$1,000
Automatic Headlamps with High Beam Assist (AHBA)	030NT	P20	P21	P21	P22	■	P22	P21	P22
<b>PAINT</b>									
Solid Paint		■	■	■	■	■	■	■	■
Metallic Paint	024AZ	\$2,100	\$2,100	\$2,100	\$2,100	\$2,100	\$2,100	\$2,100	\$2,100
Premium Metallic Paint	024BR	\$4,200	\$4,200	\$4,200	\$4,200	\$4,200	\$4,200	\$4,200	\$4,200
<b>TRIM &amp; STYLING</b>									
Body Colour Mirror Cap		■	■	■	■	■	■	■	■
Black Colour Mirror Caps		–	–	–	–	–	–	–	–
Twin Tailpipe		■	■	■	■	■	■	■	■
Bright Twin Tailpipe		–	–	–	–	–	–	–	–
Body Coloured Roof	080AC	■	■	■	■	■	■	■	■
Contrast Roof – Corris Grey	080EE	\$1,400	\$1,400	\$1,400	\$1,400	●	\$1,400	\$1,400	\$1,400
Contrast Roof – Santorini Black	080AN	\$1,400	\$1,400	\$1,400	\$1,400	●	\$1,400	\$1,400	\$1,400
Contrast Roof – Indus Silver	080AD	\$1,400	\$1,400	\$1,400	\$1,400	●	\$1,400	\$1,400	\$1,400
Painted Front and Rear Bumpers and Side Sills			–	–	–	■	–	–	–
<b>TOWING</b>									
Trailer Stability Control		■	■	■	■	■	■	■	■
Front and Rear Recovery Hooks		■	■	■	■	■	■	■	■
3500kg Towing Capacity		■	■	■	■	■	■	■	■
Towhitch Receiver – includes electrics & armature	028EL	\$950	\$950	\$950	\$950	\$950	\$950	\$950	\$950

## EXTERIOR FEATURES AND FINISHERS (CONT)

WHEELS & TYRES	CODE	TDV6 S	TDV6 SE	SDV6 SE	SDV6 HSE	SDV6 AUTO-BIOGRAPHY	SDV8 HSE	V6 S/C SE	V6 S/C HSE
19" 5 Split Spoke – 'Style 501' (N/A with 033BI 5+2 seating)	029SA	■	■	–	–	–	–	■	●
19" 5 Split Spoke – 'Style 501' with Satin Dark Grey Finish (N/A with 033BI 5+2 seating)	029XR	\$800	\$800	–	–	–	–	\$800	●
20" 5 Split Spoke – 'Style 520'	029SB	\$2,400	\$2,400	■	■	●	■	\$2,400	■
21" 5 Split-Spoke – 'Style 507'	029SD	\$4,000	\$4,000	\$2,400	\$2,400	■	\$2,400	\$4,000	\$2,400
21" 5 Split Spoke – Diamond Turned Finish – 'Style 507'	029SE	–	–	–	\$3,200	\$800	\$3,200	–	\$3,200
22" 5 Split Spoke – 'Style 504' (N/A with 033BI 5+2 seating)	029SF	\$5,600	\$5,600	\$4,000	\$4,000	\$2,400	\$4,000	\$5,600	\$4,000
Locking Wheel Nuts		■	■	■	■	■	■	■	■
Full Size Spare Wheel		■	■	■	■	■	■	■	■
Tyre Repair System (Requires 5+2 Seating. N/A with Full Size/Reduced Section Spare Wheel)	029FJ	●	●	●	●	●	●	●	●
Reduced Section Spare Wheel (N/A with 033BI 5+2 seating or Full Size Spare Wheel)	029QQ	●	●	●	●	●	●	●	●
Tyre Pressure Monitoring System (TPMS)	062AD	\$900	\$900	\$900	\$900	\$900	\$900	\$900	\$900

## INTERIOR FEATURES AND FINISHERS

SEATING MATERIAL – FRONT AND REAR	CODE	TDV6 S	TDV6 SE	SDV6 SE	SDV6 HSE	SDV6 AUTO-BIOGRAPHY	SDV8 HSE	V6 S/C SE	V6 S/C HSE
Cloth	033TA	■	–	–	–	–	–	–	–
Grained Leather	033TB	\$4,720	■	■	–	–	–	■	–
Oxford Perforated Leather (N/A with Style 1 Seats, Requires 033SY Seats)	033JK	–	\$2,870	\$2,870	■	–	■	\$2,870	■
Oxford Perforated Leather with Autobiography Pattern (single/duo/tri tone)		–	–	–	–	■	–	–	–
<b>SEATING FUNCTIONALITY</b>									
Head restraints 2 Way Adjust for Driver and Passenger		■	■	■	■	■	■	■	■
Seat Map Pockets		■	■	■	■	■	■	■	■
Style 1 – 6/4 Way Manual Seats (with Powered High Adjust)		■	■	■	–	–	–	■	–
Style 2 – 14/14 Way Powered Seats	033SY	–	●	●	■	–	■	●	■
Style 3 – 14/14 Way Powered Seats with Memory (Requires 030NM or 031EB Mirrors)	033KZ	–	\$2,090	\$2,090	–	–	–	\$2,090	–
Style 5 – 18/18 Way Powered Seats with Memory	033UA	–	–	–	P24	■	P24	–	P24
Style 7 – 18/18 Way Powered Seats with Memory and Front Seat Articulation and Massage (Requires Climate Front Seats. N/A with 129AH Rear Seat Entertainment)	033TR	–	–	–	–	\$2,720	–	–	–
Heated Front Seats with Heated Rear Seats	033EQ	P4	P4	P4	P4	–	P4	P4	P4
Climate Front Seats with Heated Rear Seats	033GQ	–	–	–	–	■	–	–	–
Climate Front Seats with Climate Rear Seats (Requires 022BG 4 Zone Climate Control)	033IN	–	–	–	\$3,200	\$700	\$3,200	–	\$3,200

# INTERIOR FEATURES AND FINISHERS (CONT)

SEATING FUNCTIONALITY – REAR	CODE	TDV6 S	TDV6 SE	SDV6 SE	SDV6 HSE	SDV6 AUTO-BIOGRAPHY	SDV8 HSE	V6 S/C SE	V6 S/C HSE
Headrests (3x) with 2-way Adjust for 2nd row seats		■	■	■	■	■	■	■	■
Centre Armrest		■	■	■	■	■	■	■	■
60/40 Folding Rear Seats	033CY	■	■	■	■	■	■	■	■
60/40 Folding Rear Seats with Load Through	033CW	\$260	\$260	\$260	\$260	\$260	\$260	\$260	\$260
Powered 5+2 Seating (N/A with 19" or 22" Wheels. Requires 033CW Seating & 029FJ Tyre Repair System)	033BI	\$3,700	\$3,700	\$3,700	\$3,700	\$3,700	–	\$3,700	\$3,700
<b>STEERING WHEEL</b>									
Manual Steering Column	049AK	■	■	■	–	–	–	■	–
Power Adjustable Steering Column	049AL	–	\$860	\$860	■	■	■	\$860	■
Leather Steering Wheel with Multifunctional Controls		■	■	■	■	■	■	■	■
Heated Leather Steering Wheel	032FB	\$500	\$500	\$500	\$500	\$500	\$500	\$500	\$500
<b>TRIM FINISH</b>									
Dark Brushed Metal Aluminium Trim Finisher		■	■	■	–	–	–	■	–
Micro Mesh Metal Aluminium Trim Finisher		–	–	–	■	–	■	–	■
Shadow Zebrano Veneer	088HB	–	\$880	\$880	\$880	■	\$880	\$880	\$880
Dark Grey Oak Veneer	088GM	–	\$880	\$880	\$880	●	\$880	\$880	\$880
Grand Black Veneer	088HS	–	–	–	\$880	\$880	\$880	–	\$880
Shadow Zebrano Autobiography Extended Veneer including additional Ambient Lighting (Replaces 064FC Interior Lighting)	088JC	–	–	–	–	\$660	–	–	–
Dark Grey Oak Autobiography Extended Veneer including additional Ambient Lighting (Replaces 064FC Interior Lighting)	088HZ	–	–	–	–	\$660	–	–	–
Grand Black Autobiography Extended Veneer including additional Ambient Lighting (Replaces 064FC Interior Lighting)	088JD	–	–	–	–	\$1,540	–	–	–
Front And Rear Carpet Mats	079AJ	\$260	\$260	\$260	–	–	–	\$260	–
Premium Front And Rear Carpet Mats	079CA	\$440	\$440	\$440	P22	■	P22	\$440	P22
Plastic Treadplates		■	■	■	–	–	–	■	–
Alluminium Tread Plates with Range Rover lettering	048AR	–	\$440	\$440	■	■	■	\$440	■
Illuminated Alluminium Tread Plates with Range Rover lettering	048BD	\$2,190	\$2,190	\$2,190	\$1,750	\$1,750	\$1,750	\$2,190	\$1,750
Morzine Headlining (Cirrus or Ivory dependant on colourway)	088HH	■	■	■	■	■	■	■	■
Morzine Headlining (Ebony)	005BJ	–	\$880	\$880	\$880	\$880	\$880	\$880	\$880
Alston Headlining (Cirrus, Ivory or Ebony dependant on colourway)	088HE	\$3,700	\$3,700	\$3,700	\$3,700	\$3,700	\$3,700	\$3,700	\$3,700

# SAFETY AND SECURITY

	CODE	TDV6 S	TDV6 SE	SDV6 SE	SDV6 HSE	SDV6 AUTO-BIOGRAPHY	SDV8 HSE	V6 S/C SE	V6 S/C HSE
Remote Power Central Double locking		■	■	■	■	■	■	■	■
Drive Away Auto Lock (customer configurable) and Crash Unlock System		■	■	■	■	■	■	■	■
Single point entry, customer configurable		■	■	■	■	■	■	■	■
Power Operated Child Locks		■	■	■	■	■	■	■	■
Restraints – Airbags, Inflatable Lanceless Curtain System		■	■	■	■	■	■	■	■
Restraints – Airbags, Side (Seat-Front, Thorax & Pelvis) (Driver and Passenger)		■	■	■	■	■	■	■	■

## SAFETY AND SECURITY (CONT)

	CODE	TDV6 S	TDV6 SE	SDV6 SE	SDV6 HSE	SDV6 AUTO-BIOGRAPHY	SDV8 HSE	V6 S/C SE	V6 S/C HSE
Seat Belt Pre-Tensioners Front with load limiting device and height adjustable		■	■	■	■	■	■	■	■
Dual Stage (2 stage airbag)		■	■	■	■	■	■	■	■
Rollover Deployment of Restraints		■	■	■	■	■	■	■	■
Roll Stability control (RSC)		■	■	■	■	■	■	■	■
Adjustable Speed Limiter Device		■	■	■	■	■	■	■	■
Perimetric Alarm		■	■	■	■	■	■	■	■
Volumetric Alarm (includes all perimetric features plus tilt sensor & battery backed sounder)	076EL	\$1,100	P23	P23	P24	\$1,100	P24	P23	P24
First Aid Kit	056AZ	\$110	P23	P23	P24	\$110	P24	P23	P24

## COMFORT AND CONVENIENCE FEATURES

COMFORT & CONVENIENCE	CODE	TDV6 S	TDV6 SE	SDV6 SE	SDV6 HSE	SDV6 AUTO-BIOGRAPHY	SDV8 HSE	V6 S/C SE	V6 S/C HSE
Push Button Start Stop		■	■	■	■	■	■	■	■
Rear Park Distance Sensors with Visual Display		■	■	■	■	■	■	■	■
Cruise Control		■	■	■	■	■	■	■	■
Front Parking Aid with Front Visual Display	086EG	P20	P21	P21	■	■	■	P21	■
Park Assist – Parallel Park (Requires 086EG front park aid)	086GZ	\$1,490	\$1,490	\$1,490	\$1,490	\$1,490	\$1,490	\$1,490	\$1,490
Park Assist – Parallel Park/Perpendicular Park/360 degree Parking Sensors (Requires 086EG front park aid)	086HA	\$2,960	\$2,960	\$2,960	\$2,960	\$2,960	\$2,960	\$2,960	\$2,960
Rear View Camera with visual guidance and hitch assist function		■	■	■	■	■	■	■	■
Surround Camera System (Requires 030NM Exterior Mirrors)	086GC	\$1,800	\$1,800	\$1,800	\$1,800	\$1,800	\$1,800	\$1,800	\$1,800
Blind Spot Monitor with Closing Vehicle Sensing (Requires 031EB Mirrors)	086GH	\$1,200	\$1,200	\$1,200	\$1,200	\$1,200	\$1,200	\$1,200	\$1,200
Blind Spot Monitoring with Closing Vehicle Sensing and Reverse Traffic Detection (Requires 031EB Exterior Mirrors)	086GF	\$1,420	\$1,420	\$1,420	\$1,420	\$1,420	\$1,420	\$1,420	\$1,420
Wade Sensing™ plus Blind Spot Monitoring with Closing Vehicle Sensing and Reverse Traffic Detection (Requires 031EB Mirrors & 086GC Surround Camera)	074NG	\$2,220	\$2,220	\$2,220	\$2,220	\$2,220	\$2,220	\$2,220	\$2,220
Wade Sensing™ (Requires 030NM Exterior Mirrors. N/A with 086GH, 086GC or 031EB)	075EA	\$800	\$800	\$800	\$800	\$800	\$800	\$800	\$800
Lane Departure Warning (Requires 030NT Headlamps and 031EB Exterior Mirrors)	086BC	\$1,400	\$1,400	\$1,400	\$1,400	\$1,400	\$1,400	\$1,400	\$1,400
Adaptive Cruise Control with Queue Assist, Intelligent Emergency Braking & Active Seat Belts	065AG	\$4,700	\$4,700	\$4,700	\$4,700	\$4,700	\$4,700	\$4,700	\$4,700
Homelink – Garage Door Opener (Requires 030NY Interior Mirror)	025FG	\$700	\$700	\$700	\$700	\$700	\$700	\$700	\$700
Soft Door Close (Requires 066AC Keyless Entry)	076FC	\$1,100	\$1,100	\$1,100	\$1,100	\$1,100	\$1,100	\$1,100	\$1,100
Keyless Entry	066AC	\$2,400	\$2,400	\$2,400	■	■	■	\$2,400	■
Park Heating with Remote Control	043AV	\$3,300	\$3,300	\$3,300	\$3,300	\$3,300	\$3,300	\$3,300	\$3,300
Extra Large Additional Water Bottle (Requires 064DW or 064DI Xenon lights)	039BB	\$110	\$110	\$110	\$110	\$110	\$110	\$110	\$110



# COMFORT AND CONVENIENCE FEATURES (CONT)

INTERIOR FEATURES	CODE	TDV6 S	TDV6 SE	SDV6 SE	SDV6 HSE	SDV6 AUTO-BIOGRAPHY	SDV8 HSE	V6 S/C SE	V6 S/C HSE
Driver and Passenger Sunvisor with Illuminated Vanity Mirror		■	■	■	■	■	■	■	■
Front Map Lights		■	■	■	■	■	■	■	■
Centre Arm Rest with Cubby Box		■	■	■	■	■	■	■	■
Front Door Mini Stowage Pocket with Rubber Mat		■	■	■	■	■	■	■	■
Front and Rear Cupholders		■	■	■	■	■	■	■	■
Secure Glove Box Stowage		■	■	■	■	■	■	■	■
Single Blade Sunvisor		■	■	■	■	■	■	■	■
Twin Blade Sunvisor	115AP	\$150	\$150	\$150	\$150	\$150	\$150	\$150	\$150
Manual Dimming Interior Mirror	030NV	■	-	-	-	-	-	-	-
Auto Dimming Interior Mirror	030NY	\$330	■	■	■	■	■	■	■
Front Centre Console Cooler Compartment	038EA	\$800	\$800	\$800	\$800	■	\$800	\$800	\$800
2 Zone Climate control	022AY	■	■	■	■	■	■	■	■
3 Zone Climate Control	022BC	\$1,800	\$1,800	\$1,800	\$1,800	\$1,800	\$1,800	\$1,800	\$1,800
4 Zone Climate Control	022BG	\$3,200	\$3,200	\$3,200	\$3,200	\$3,200	\$3,200	\$3,200	\$3,200
Interior Mood Lighting	064EC	■	■	■	■	-	■	■	■
Customer Configurable Interior Mood Lighting	064FC	\$770	\$770	\$770	P22	■	P22	\$770	P22
Non Smokers Pack (Stowage Bin)		■	■	■	■	■	■	■	■
Smokers Pack (Front and rear cigar lighter & ash tray)	094AA	●	●	●	●	●	●	●	●
<b>LOADSPACE</b>									
Roller Loadspace Cover		■	■	■	■	■	■	■	■
Load Compartment Light		■	■	■	■	■	■	■	■
Mounting Provisions – for Loadspace and Dog Guard		■	■	■	■	■	■	■	■
Handbag Hook/Curry Hook in Loadspace		■	■	■	■	■	■	■	■
Secure Stowage		■	■	■	■	■	■	■	■
Manual Single Piece Tailgate		■	-	-	-	-	-	-	-
Power Single Piece Tailgate	070AW	\$1,200	■	■	■	■	■	■	■
Loadspace Stowage Rails	135AH	\$720	\$720	\$720	\$720	\$720	\$720	\$720	\$720
<b>INFORMATION, COMMUNICATION</b>									
8" Touch Screen		■	■	■	■	■	■	■	■
Voice Control		■	■	■	■	■	■	■	■
Bluetooth® Phone connection & Audio Streaming		■	■	■	■	■	■	■	■
MP3 Compatible Audio Disk		■	■	■	■	■	■	■	■
USB Socket – (1x at row 1)		■	■	■	■	■	■	■	■
Auxiliary power sockets (front, second row and loadspace 12 volt)		■	■	■	■	■	■	■	■
Auxiliary Device Connectivity (Full Integrated streaming)		■	■	■	■	■	■	■	■
User Selectable Screen Savers		■	■	■	■	■	■	■	■
Range Rover Audio System (250W) with 8 speakers	025MC	■	■	■	■	-	■	■	■
Meridian Surround Sound Audio System (825W) with 19 speakers	025LN	\$2,900	\$2,900	\$2,900	\$2,900	■	\$2,900	\$2,900	\$2,900
Meridian Signature Reference Audio System (1700W) with 23 speakers	025LV	-	-	-	\$13,600	\$10,700	\$13,600	-	\$13,600
Digital Audio Broadcast Radio (DAB+)	025JB	\$900	\$900	\$900	\$900	\$900	\$900	\$900	\$900
Hard Disk Navigation System with Hard Disk Audio Server & Voice Control	087AA	●	■	■	■	■	■	■	■

## COMFORT AND CONVENIENCE FEATURES (CONT)

INFORMATION, COMMUNICATION	CODE	TDV6 S	TDV6 SE	SDV6 SE	SDV6 HSE	SDV6 AUTO-BIOGRAPHY	SDV8 HSE	V6 S/C SE	V6 S/C HSE
Analogue Speedometer and Tachometer with 5" TFT Instrument Cluster	038IC	■	■	■	■	■	–	■	■
12.3" TFT Virtual Instrument Panel	038ID	\$1,500	P23	P23	P24	\$1,500	■	P23	P24
Rear Seat Entertainment with 8.0" Screen, DVD and SSD player, remote control and 2 sets of WhiteFire™ headphones with USB in 2nd row (Requires 033CW Seating and 025LN or 025LV Audio Systems)	129AH	–	\$5,000	\$5,000	\$5,000	\$5,000	\$5,000	\$5,000	\$5,000
Rear Seat Entertainment with 10.2" Screen, DVD and SSD player, remote control and 2 sets of WhiteFire™ headphones with USB in 2nd row (Requires 033CW Seating and 025LN or 025LV Audio Systems)	129AQ	–	–	–	–	\$6,500	–	–	–
Television – Digital	129AA	P25	P25	P25	P25	P25	P25	P25	P25
Touch Screen with Dual View technology (includes one set of WhiteFire™ headphones) (Requires 025LN or 025LV Audio Systems)	087AM	P25	P25	P25	P25	P25	P25	P25	P25

## OPTION PACKS

	CODE	TDV6 S	TDV6 SE	SDV6 SE	SDV6 HSE	SDV6 AUTO-BIOGRAPHY	SDV8 HSE	V6 S/C SE	V6 S/C HSE
<b>Off Road Pack (P1) – V6S</b> Terrain Response® 2 Auto, Twin Speed Transfer Box (High/Low Range), Adaptive Dynamics	074QA	–	–	–	–	–	–	\$3,680	\$3,680
<b>On/Off Road Pack (P2) – SDV6</b> Terrain Response® 2 Auto, Dynamic Response, Torque Vectoring Dynamic Programme	074QC	–	–	\$8,100	\$8,100	\$8,100	–	–	–
<b>Heated/Cold Climate with Heated Windscreen Pack (P4)</b> Heated Front Seats, Heated Rear Seats, Heated Windscreen	072AC	\$1,900	\$1,900	\$1,900	\$1,900	–	\$1,900	\$1,900	\$1,900
<b>Comfort Pack (P20) – S Unlock Pack</b> Front Parking Aid with Front Visual Display, Xenon Headlamps with LED Signature, Headlamp Powerwash, Automatic Headlamps with High Beam Assist	075FC	\$3,290	–	–	–	–	–	–	–
<b>Comfort Pack (P21) – SE Unlock Pack</b> Front Parking Aid with Front Visual Display, Auto Dimming Exterior Mirrors, Xenon Headlamps with LED Signature, Headlamp Powerwash, Automatic Headlamps with High Beam Assist	075FD	–	●	●	–	–	–	●	–
<b>Comfort Pack (P22) – HSE Unlock Pack</b> Premium Front And Rear Carpet Mats, Automatic Headlamps with High Beam Assist, Auto Dimming Exterior Mirrors, Customer Configurable Mood Lighting	075FE	–	–	–	●	–	●	–	●
<b>SE Luxury Pack (P23)</b> 12.3" TFT Virtual Instrument Panel, Volumetric Alarm with Battery Back-up Sounder, First Aid Kit	074GR	–	\$2,300	\$2,300	–	–	–	\$2,300	–
<b>HSE Luxury Pack (P24)</b> 12.3" TFT Virtual Instrument Panel, Volumetric Alarm with Battery Back-up Sounder, First Aid Kit, Style 5 – 18/18 Way Powered Seats with Memory	074HY	–	–	–	●	–	●	–	●
<b>Audio Visual Pack (P25)</b> Digital TV, Touch Screen with Dual View Technology (includes one set of wireless headphones) (Requires 025LN or 025LV audio system)	074NC	\$3,870	\$3,870	\$3,870	\$3,870	\$3,870	\$3,870	\$3,870	\$3,870

# RANGE ROVER SPORT DYNAMIC

Exclusive features for the Range Rover Sport Dynamic models include a Gloss Black Grille, Fender Vent, Bonnet Vent and Mirror Caps. A red Sport Badge and Brake Calipers are also available.

HSE DYNAMIC	CODE	SDV8 HSE DYNAMIC	V8SC HSE DYNAMIC
Features in addition to SDV6 HSE standard equipment:			
<b>ENGINE</b>			
4.4L SDV8 Diesel (250kW)		■	-
5.0L V8 Supercharged Petrol (375kW)		-	■
<b>FUEL SYSTEM</b>			
Diesel Particulate Filter (DPF)		■	-
<b>TRANSMISSION</b>			
No Stop/Start		■	■
<b>DRIVING AND DYNAMICS</b>			
Active Vanes (Upper Only)		■	-
Dynamic Response™	027AM	■	■
Dynamic Program	088IB	■	■
Torque Vectoring	027DC	■	■
Performance Enhancement (increase in Top Speed)		■	■
Red Painted Brake Calipers	020BE	■	■
<b>TRIM &amp; STYLING</b>			
Black Colour Mirror Caps		■	■
Bright Twin Tailpipe		■	■
Contrast Roof – Corris Grey	080EE	●	●
Contrast Roof – Santorini Black	080AN	●	●
Contrast Roof – Indus Silver	080AD	●	●
<b>WHEELS &amp; TYRES</b>			
20" 5 Split Spoke – 'Style 520'	029SB	●	●
21" 5 Split Spoke – 'Style 507'	029SD	●	●
21" 5 Split Spoke – Diamond Turned Finish – 'Style 507'	029SE	■	■
21" 9 Spoke – Satin Black Finish – 'Style 901' (Requires 074MM Stealth Pack)	029TN	\$800	\$800
22" 5 Split Spoke – 'Style 504' (N/A with 5+2 seating)	029SF	\$1,600	\$1,600
22" 5 Split Spoke – Satin Black Finish – 'Style 508' (Requires 074MM Stealth Pack. N/A with 5+2 seating)	029TP	\$2,400	\$2,400
<b>SEATING FUNCTIONALITY – REAR</b>			
Powered 5+2 Seating (N/A with 22" Wheels. Requires 033CW seating & 029FJ Tyre Repair System)	033BI	-	\$3,700
<b>TRIM FINISH</b>			
Sports Textured Metal Aluminium Trim Finisher		■	■
Stainless Steel Sports Pedals		■	■
Illuminated Aluminium Tread Plates with Range Rover lettering		■	■

# RANGE ROVER SPORT DYNAMIC (CONT)

OPTION PACKS	CODE	SDV8 HSE DYNAMIC	V8SC HSE DYNAMIC
<b>Stealth Pack</b> Satin Black: Mirror Caps, Exterior Accents, Range Rover script on tailgate and bonnet, Fog Lamp Bezels, Front Grille, Toweye Cover, Tailgate Finisher, Side & Fender Vent, mesh and Wheel Nuts, Gloss Black non-reflective surface headlamps <i>(Requires 029TN or 029TP Wheels)</i>	074MM	\$4,000	\$4,000

AUTOBIOGRAPHY DYNAMIC	CODE	V8SC AUTO-BIOGRAPHY DYNAMIC
Features in addition to SDV6 Autobiography standard equipment:		
<b>ENGINE</b>		
5.0L V8 Supercharged Petrol (375kW)		■
<b>TRANSMISSION</b>		
No Stop/Start		■
<b>DRIVING AND DYNAMICS</b>		
Active Vanes (Upper Only)		-
Dynamic Response™		■
Dynamic Program		■
Torque Vectoring		■
Performance Enhancement (increase in Top Speed)		■
Red Painted Brake Calipers		■
<b>TRIM AND STYLING</b>		
Black Colour Mirror Caps		■
<b>WHEELS &amp; TYRES</b>		
20" 5 Split Spoke – 'Style 520'	029SB	●
21" 5 Split-Spoke – 'Style 507'	029SD	●
21" 5 Split Spoke – Diamond Turned Finish – 'Style 507'	029SE	\$1,600
21" 5 Split Spoke – 'Style 505'	029SW	■
21" 6 Spoke – 'Style 602'	029TA	-
21" 6 Spoke – Diamond Turned Finish – 'Style 602'	029TB	-
21" 9 Spoke – Satin Black Finish – 'Style 901' (Requires 074MM Stealth Pack)	029TN	\$1,600
22" 5 Split Spoke – 'Style 504' (N/A with 5+2 seating)	029SF	\$2,400
22" 5 Split Spoke – 'Style 508' (N/A with 5+2 seating)	029SY	\$2,400
22" 5 Split Spoke – Satin Black Finish – 'Style 508' (Requires 074MM Stealth Pack. N/A with 5+2 seating)	029TP	\$3,200

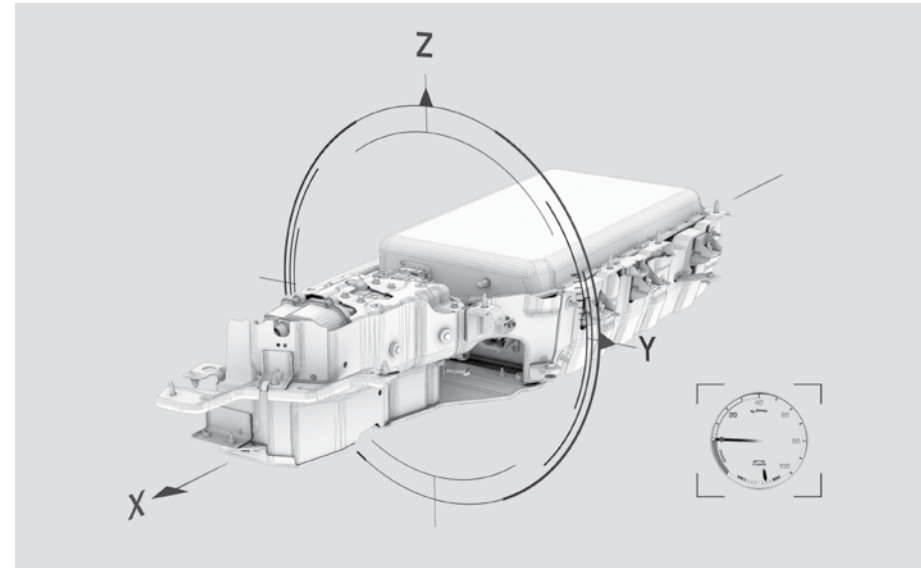
# RANGE ROVER SPORT DYNAMIC (CONT)

TRIM AND FINISH	CODE	V8SC AUTO-BIOGRAPHY DYNAMIC
Dark Engine Turned Metal Aluminium Trim Finisher		■
Shadow Zebrano Veneer	088HB	●
Stainless Steel Sports Pedals		■
Illuminated Aluminium Tread Plates with Range Rover lettering	048BD	■
Morzine Headlining (Cirrus or Ivory dependant on colourway)	088HH	●
Morzine Headlining (Ebony)	005BJ	●
Alston Headlining (Cirrus, Ivory or Ebony dependant on colourway)	088HE	■
<b>INFORMATION, COMMUNICATION</b>		
12.3" TFT Virtual Instrument Panel	038ID	■
<b>OPTION PACKS</b>		
<b>Stealth Pack</b> Satin Black: Mirror Caps, Exterior Accents, Range Rover script on tailgate and bonnet, Fog Lamp Bezels, Front Grille, Toweye Cover, Tailgate Finisher, Side & Fender Vent mesh and Wheel Nuts, Gloss Black non-reflective surface headlamps <i>(Requires 029TN or 029TP Wheels)</i>	074MM	\$4,000

# RANGE ROVER SPORT HYBRID

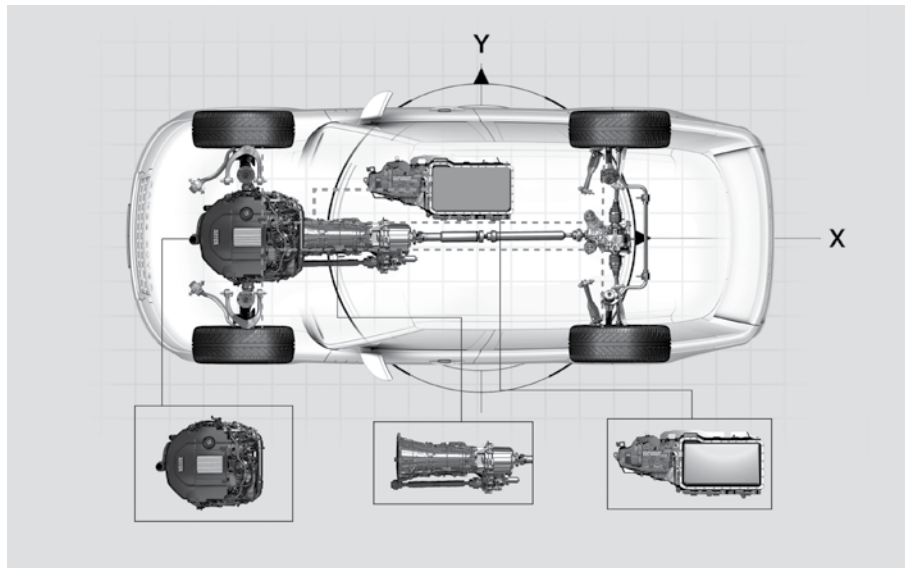
Designed and engineered for a hybrid derivative from the start, the Range Rover Sport Hybrid makes no compromise to Land Rover's legendary breadth of capability. With a state-of-the-art diesel powertrain, which combines the 215kW 3.0-litre SDV6 engine with an integral 35kW/175Nm electric motor to produce 250kW, the Hybrid retains the dynamic driving experience of the other models, and with 700Nm of torque, all-terrain performance is exceptional.

HSE HYBRID	CODE	SDV6 HEV HSE
Features in addition to SDV6 HSE standard equipment:		
<b>ENGINE</b>		
3.0L SDV6 HEV (250kW)		■
<b>DRIVING AND DYNAMICS</b>		
Dynamic Response™		-
Dynamic Program		■
Torque Vectoring		■
<b>TOWING</b>		
3000kg Towing Capacity		■
<b>WHEELS &amp; TYRES</b>		
20" 5 Split Spoke – 'Style 520'	029SB	●
21" 5 Split Spoke – 'Style 507'	029SD	●
21" 5 Split Spoke – Diamond Turned Finish – 'Style 507'	029SE	\$1,600
21" 6 Spoke – 'Style 602'	029TA	■
21" 6 Spoke – Diamond Turned Finish – 'Style 602'	029TB	\$800
22" 5 Split Spoke – 'Style 504' (N/A with 5+2 seating)	029SF	\$2,400
<b>INFORMATION, COMMUNICATION</b>		
12.3" TFT Virtual Instrument Panel	038ID	■



# RANGE ROVER SPORT HYBRID (CONT)

AUTOBIOGRAPHY HYBRID	CODE	SDV6 HEV AUTOBIOGRAPHY
Features in addition to SDV6 Autobiography standard equipment:		
<b>ENGINE</b>		
3.0L SDV6 HEV (250kW)		■
<b>DRIVING AND DYNAMICS</b>		
Dynamic Response™		-
Dynamic Program		■
Torque Vectoring		■
<b>TOWING</b>		
3000kg Towing Capacity		■
<b>WHEELS &amp; TYRES</b>		
21" 5 Split Spoke – 'Style 507'	029SD	●
21" 5 Split Spoke – Diamond Turned Finish – 'Style 507'	029SE	\$1,600
21" 6 Spoke – 'Style 602'	029TA	■
21" 6 Spoke – Diamond Turned Finish – 'Style 602'	029TB	\$800
<b>INFORMATION, COMMUNICATION</b>		
12.3" TFT Virtual Instrument Panel	038ID	■



## **WARRANTY**

A comprehensive manufacturer's warranty is a feature of every Land Rover vehicle and extends to any genuine Land Rover accessories fitted by a Land Rover Retailer. The warranty period for the vehicle is three years/100,000 kilometres. In addition, the paint surface is also covered for three years/100,000 kilometres and the body work covered for corrosion for six years.

## **LAND ROVER ROADSIDE ASSISTANCE**

All Land Rover vehicles purchased in Australia benefit from complimentary Land Rover Roadside Assistance service for the length of the new car warranty. This covers you Australia-wide 24 hours per day every day. And because it is Land Rover Assistance, help will also be provided if you become bogged or disabled on roads that only four-wheel drives can travel.

## **CUSTOMER CARE**

Land Rover Australia has a dedicated Customer Care Centre to assist owners who may have a general query. Owners seeking this level of assistance are invited to phone our Customer Care Centre on the toll-free number 1800-625-642 or email [enquiries@landrovercustomers.com.au](mailto:enquiries@landrovercustomers.com.au). Land Rover ownership includes a package of benefits designed to provide high standards of after sales care and support.

## **LAND ROVER FINANCIAL SERVICES**

Just as Land Rover lets you tailor a vehicle to your specific requirements, we offer you the same service when it comes to finance. You can arrange to purchase and finance your Land Rover from the people who know it best – your Land Rover Dealer. Your Land Rover Business Manager can explain the full range of finance options available from Land Rover Financial Services and provide expert advice to help tailor a finance package to best suit your needs. To discover more about Land Rover Financial Services visit your nearest Land Rover Dealer, call 1300 555 211 or visit [www.landrover.com.au](http://www.landrover.com.au) for more information.

Land Rover Finance is provided by St. George Finance Limited (ABN 99 001 094 471) Australian Credit Licence 387944 to approved customers only. Credit criteria, fees, charges and terms and conditions apply.

## **LAND ROVER ASSURED EXTENDED WARRANTY**

Choose Land Rover Assured Extended Warranty Insurance for 12 or 24 months, up to 200,000 kilometres. Land Rover Assured Extended Warranty Insurance lets you enjoy your Land Rover both on and off the road without any concerns of the cost and inconvenience of mechanical failure. For a once off payment, you can enjoy the reassurance of protection against mechanical failures for up to 24 months with qualified repairs for the life of your warranty. Consult your Land Rover Retailer for more information.

The Bluetooth® word mark and logos are owned by the Bluetooth SIG, Inc. and any use of such marks by Land Rover is under license.

### **Important Notices:**

All details in this Recommended Retail Price list are believed to be correct as of September 2014. However, we are constantly striving for improvement and therefore reserve the right to alter price and specifications without notice. Distributors and retailers are not agents of Land Rover Australia and have no authority to bind Land Rover Australia to any expressed or implied undertaking or representation.

For further pricing information contact your local Land Rover dealer or go to the Driveaway Pricing Calculator at [www.landrover.com.au](http://www.landrover.com.au)

Jaguar Land Rover Australia Pty Ltd  
Trading as Land Rover Australia ABN 86 004 352 238  
65 Epping Road, North Ryde NSW 2113  
Locked Bag 2214, North Ryde NSW 1670  
©Jaguar Land Rover Australia Pty Ltd 2014  
**Publication Number LR9651 Range Rover Sport 10/14 Consumer**



ABOVE AND BEYOND