


# Rattling Noise From Rear of Vehicle

**Service Category** Brake

**Section** Parking Brake

**Market** USA

Lexus Supports  
ASE Certification 

## Applicability

YEAR(S)	MODEL(S)	ADDITIONAL INFORMATION
2006 – 2012	GS300, GS350, GS430, GS450H, GS460, IS250, IS250C, IS350, IS350C	

### REVISION NOTICE

**May 2, 2012 Rev1:**

- **Applicability has been updated to include 2009 – 2012 model year GS and IS vehicles.**
- **Warranty Information and Repair Procedure have been updated.**

**Any previous printed versions of this bulletin should be discarded.**

## Introduction

Some 2006 – 2012 model year GS and IS models may exhibit a rattle noise coming from the rear of the vehicle when driving over bumps. If this condition occurs, adjust the parking brake cables to reduce the parking brake shoe free play. Follow the procedure below to address this condition.

## Production Change Information

This bulletin applies to the following vehicles as described below:

- If this condition occurs on 2006 – 2008 MY vehicles produced **BEFORE** the Production Change Effective VINs shown below, refer to Repair Procedure A.
- If this condition occurs on 2008 – 2012 MY vehicles produced **AFTER** the Production Change Effective VINs shown below, refer to Repair Procedure B.

## Rattling Noise From Rear of Vehicle

### Production Change Information (Continued)

MODEL	DRIVETRAIN	PLANT	PRODUCTION CHANGE EFFECTIVE VIN	
GS 350	2WD	Tahara	JTHBE96S#80029372	
	AWD		JTHCE96S#80013834	
GS 450h	2WD		JTHBC96S#85012614	
GS 460			JTHBL96S#85000421	
IS 250	AWD		JTHBK262#85057905	
	2WD		JTHCK262#85018394	
IS 350	2WD		JTHBE262#85018492	
IS 250	AWD		TMK	JTHBK262#82065002
	2WD			JTHCK262#82022295
IS 350	2WD			JTHBE262#82014338

### Warranty Information

OP CODE	DESCRIPTION	REPAIR PROCEDURE	MODEL	TIME	OFF	T1	T2
046214	Parking Brake Cable	A	GS 300/350 GS 430/460	0.5	46420-30580	91	43
			GS 450h		46420-22390		
			IS 250/350		46420-53020		
BR1202	Parking Brake Shoe	B	GS 300/350 GS 430/460 GS 450h IS 250/350 IS 250C/350C	2.0	46530-30020	91	55
BR1203	Parking Brake Cable and Shoe	A & B	GS 300/350 GS 430/460 GS 450h IS 250/350 IS 250C/350C	2.5	46530-30020	91	55

#### APPLICABLE WARRANTY

- This repair is covered under the Lexus Comprehensive Warranty. This warranty is in effect for 48 months or 50,000 miles, whichever occurs first, from the vehicle's in-service date.
- Warranty application is limited to occurrence of the specified condition described in this bulletin.

## Rattling Noise From Rear of Vehicle

---

### Required Tools & Equipment

REQUIRED MATERIAL	PART NUMBER	QUANTITY
Disc Brake Grease	08887-80609	1

### Repair Procedure A

1. Verify the condition.
2. Adjust the parking brake cable assembly.

Refer to the Technical Information System (TIS), applicable model and model year Repair Manual: *Brake – Parking Brake – “Parking Brake: Parking Brake System: Adjustment”*

- 2006 [GS 300/430](#) / [IS 250/350](#)
  - 2007 [GS 350/430](#) / [GS 450h](#) / [IS 250/350](#)
  - 2008 [GS 350/460](#) / [GS 450h](#) / [IS 250/350](#)
3. Road test the vehicle to confirm the rattle noise is NO longer present while driving over bumps.
  4. If the noise is still present, proceed to Repair Procedure B.

### Repair Procedure B

1. Verify the condition.
2. Check parking brake cable adjustment.
3. Remove parking brake shoes and parking brake shoe lever sub-assembly.

Refer to the Technical Information System (TIS), applicable model and model year Repair Manual: *Brake – Parking Brake – “Parking Brake: Parking Brake Assembly: Disassembly”*

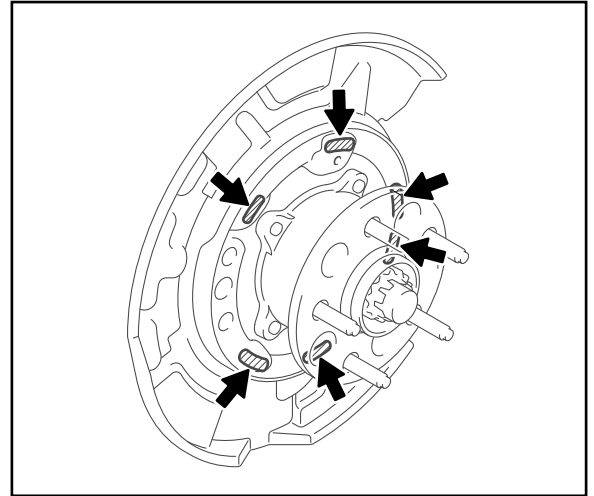
- 2006 [GS 300/430](#) / [IS 250/350](#)
  - 2007 [GS 350/430](#) / [GS 450h](#) / [IS 250/350](#)
  - 2008 [GS 350/460](#) / [GS 450h](#) / [IS 250/350](#)
  - 2009 [GS 350/460](#) / [GS 450h](#) / [IS 250/350](#)
  - 2010 [GS 350/460](#) / [GS 450h](#) / [IS 250/350](#) / [IS 250C/350C](#)
  - 2011 [GS 350/460](#) / [GS 450h](#) / [IS 250/350](#) / [IS 250C/350C](#)
  - 2012 [IS 250/350](#) / [IS 250C/350C](#)
4. Clean up parking brake shoes, parking brake shoe lever sub-assembly, and backing plate.

## Rattling Noise From Rear of Vehicle

### Repair Procedure B (Continued)

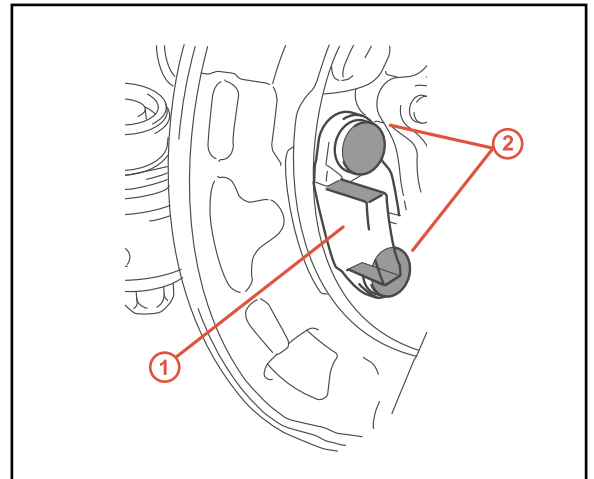
5. Apply a thin layer of disk brake grease (P/N 08887-80609) to the contact areas between the backing plate and the parking brake shoes.

Figure 1.



6. Apply a thin layer of disk brake grease (P/N 08887-80609) to the contact areas between the anchor block and the parking brake shoes/parking brake shoe lever sub-assembly.

Figure 2.



<b>1</b>	<b>Anchor Block</b>
<b>2</b>	<b>Parking Brake Shoe Lever Sub-assembly</b>

7. Reassemble the parking brake shoes and parking brake shoe lever sub-assembly.

Refer to TIS, applicable model and model year Repair Manual:  
*Brake – Parking Brake – “Parking Brake: Parking Brake Assembly: Reassembly”*

- 2006 [GS 300/430](#) / [IS 250/350](#)
- 2007 [GS 350/430](#) / [GS 450h](#) / [IS 250/350](#)
- 2008 [GS 350/460](#) / [GS 450h](#) / [IS 250/350](#)

## Rattling Noise From Rear of Vehicle

---

### Repair Procedure B (Continued)

- 2009 [GS 350/460](#) / [GS 450h](#) / [IS 250/350](#)
  - 2010 [GS 350/460](#) / [GS 450h](#) / [IS 250/350](#) / [IS 250C/350C](#)
  - 2011 [GS 350/460](#) / [GS 450h](#) / [IS 250/350](#) / [IS 250C/350C](#)
  - 2012 [IS 250/350](#) / [IS 250C/350C](#)
8. Road test the vehicle to confirm the rattle noise is NO longer present while driving over bumps.