



**Technical Service
Information Bulletin**

July 31, 2007

Title:
FRONT BRAKE SQUEAK

Models:
'06 – '07 IS 250

T S I B

**BRAKES
BR001-07**

Introduction Some customers may experience front brake squeak noise when slowly coming to a stop. Updated front disc brake pads, grease, and a fitting kit are available to improve this condition.

Applicable Vehicles

- **2006 – 2007** model year **IS 250** vehicles.

Parts Information

PREVIOUS PART NUMBER	CURRENT PART NUMBER	PART NAME	QTY
N/A	04007-35153	Front Disc Brake Pad Kit	1

Warranty Information

OP CODE	DESCRIPTION	TIME	OFFP	T1	T2
473301	Front Disc Brake Pad and/or Disc Brake Pad Shim (Both Sides)	0.6	43512-30310	91	13

Applicable Warranty*:

This repair is covered under the Lexus Comprehensive Warranty. This warranty is in effect for 48 months or 50,000 miles, whichever occurs first, from the vehicle's in-service date.

* Warranty application is limited to correction of a problem based upon a customer's specific complaint.

Repair Procedure

1. Conduct a road test to verify the noise condition — noise usually occurs when slowly coming to a stop with light pressure applied to the brake pedal.
2. Remove and replace the front disc brake pads and fitting kit.
 - A. Remove the front wheel.

NOTE:

This procedure is for the LH side. Perform the same procedure for the RH side.

- B. Remove the top caliper mounting bolt.
- C. Remove the front brake pads (qty 2) with the front disc brake anti-squeal shims No. 1 (qty 2) and No. 2 (qty 2) and the brake pad wear indicator plates (qty 2) from the caliper assembly.



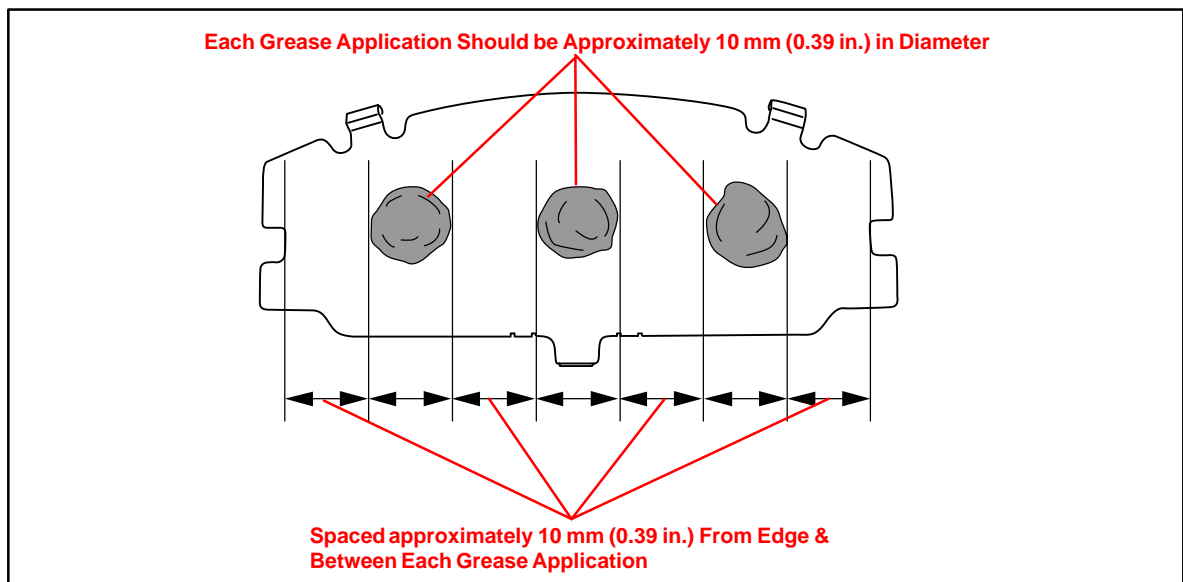
**Repair
Procedure**
(Continued)

- D. Remove the lower inner and outer No. 1 front disc brake pad support clips (qty 2) and the upper inner and outer No. 2 front disc brake pad support clips (qty 2) from the caliper assembly.
- E. Clean the surface on the caliper assembly where the lower and upper inner and outer No. 1 and No. 2 front disc brake pad support clips are installed.
- F. Install the new lower and upper inner and outer No. 1 (qty 2) and No. 2 (qty 2) front disc brake pad support clips onto the caliper assembly.

NOTE:

The new lower inner No. 1 front disc brake pad support clip is insulated with bonding tape, and it is important that it is installed in the lower inner caliper assembly.

- G. Clean the No. 1 (qty 2) and No. 2 (qty 2) anti-squeal shims.
- H. Apply disc brake grease to the back of the No. 2 (qty 2) anti-squeal shims.



- I. Install the anti squeal shims No. 1 (qty 2) and No. 2 (qty 2) and the NEW pad wear indicator plates onto the NEW brake pads.
- J. Install the NEW brake pads onto the caliper assembly.
- K. Reinstall the caliper assembly and torque the upper mounting bolt.
Torque: 34 N•m (350 kgf•cm, 25 ft•lbf)
- L. Press the brake pedal 3 to 5 times to spread the grease between the shims once all components have been installed.
- M. Road test the vehicle to confirm the front brake “squeak” is NO longer present.