



**Technical Service
Information Bulletin**

December 4, 2002

Title:
SHIFT LOCK ASSEMBLY
Models:
'01 – '02 LS 430 & '02 SC 430

T S I B

**ELECTRICAL
EL011-02**

Introduction Some customers may complain that intermittently, their vehicle will not shift out of park after depressing the brake pedal. A component in the shift lock assembly, the Shift Lever Anti-Rattle Cushion, has been changed to help prevent this condition.

- Applicable Vehicles**
- **2001 – 2002** model year **LS 430** vehicles produced before the VIN shown below.
 - **2002** model year **SC 430** vehicles produced before the VIN shown below.

**Production
Change
Information**

| MODEL | STARTING VIN |
|--------|-------------------|
| LS 430 | JTHBN30F*20070532 |
| SC 430 | JTHFN48Y*20025650 |

**Parts
Information**

| PREVIOUS PART NUMBER | CURRENT PART NUMBER | PART NAME | QTY |
|----------------------|---------------------|---------------------------------|-----|
| 33539-50090 | Same | Shift Lever Anti-Rattle Cushion | 1 |

**Warranty
Information**

| OP CODE | DESCRIPTION | MODEL | TIME | OFF | T1 | T2 |
|---------|---------------------------|--------|------|-------------|----|----|
| EL2005 | R & R Shift Lock Assembly | LS 430 | 1.6 | 33539-50090 | 23 | 83 |
| | | SC 430 | 0.5 | | | |

Applicable Warranty*:

This repair is covered under the Lexus Comprehensive Warranty. This warranty is in effect for 48 months or 50,000 miles, whichever occurs first, from the vehicle's in-service date.

* Warranty application is limited to correction of a problem based upon a customer's specific complaint.

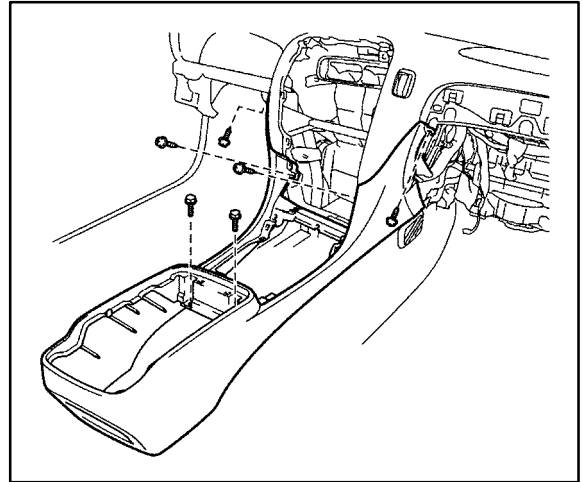


Repair Procedure:
LS 430

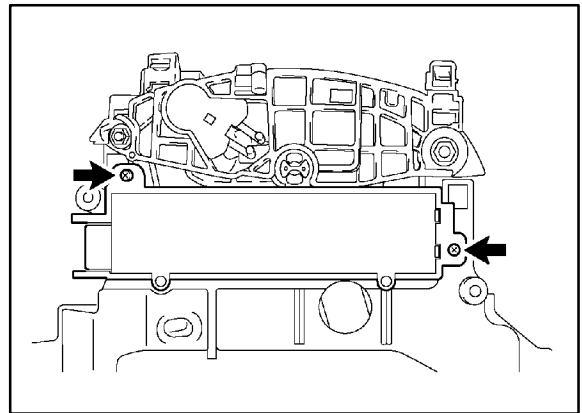
LS 430:

1. Remove center console box.
 Follow the instructions in the 2002 LS 430 Repair Manual, pages BO-129 through BO-133.

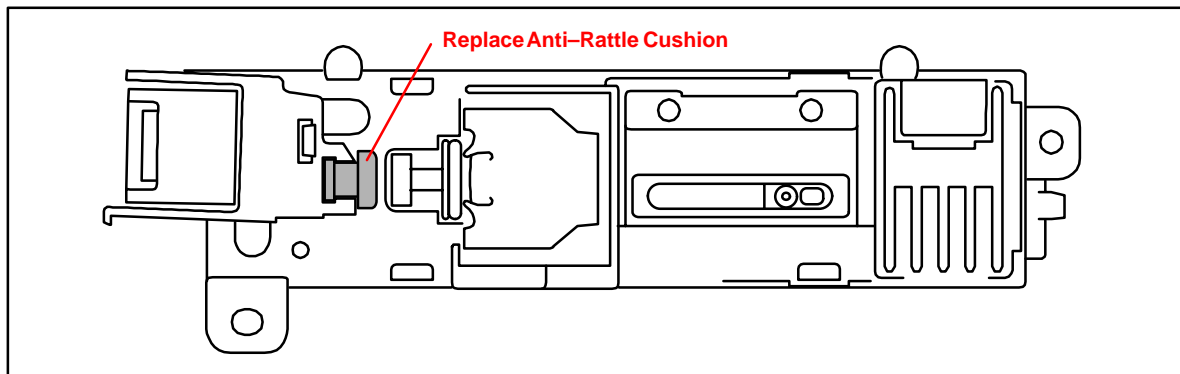
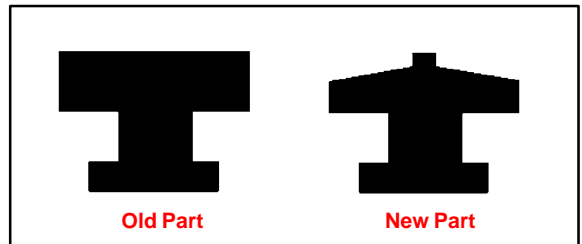
NOTE:
Steps 20 through 23 of the repair manual are not necessary for this repair.



2. Remove the shift lock control ECU sub-assembly, found on the driver's side of the shift assembly.



3. Remove the original shift lever anti-rattle cushion and replace with the new part, as shown in the illustrations.

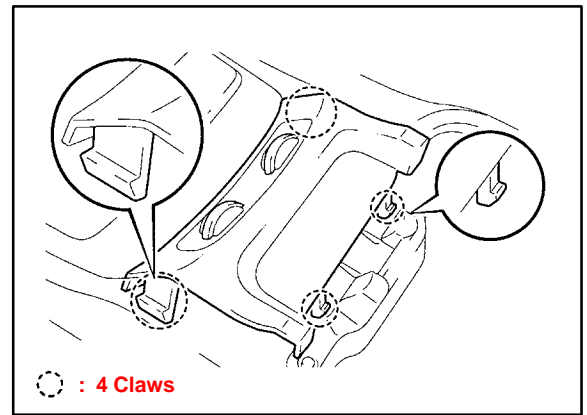


4. Reassemble and test for proper function.

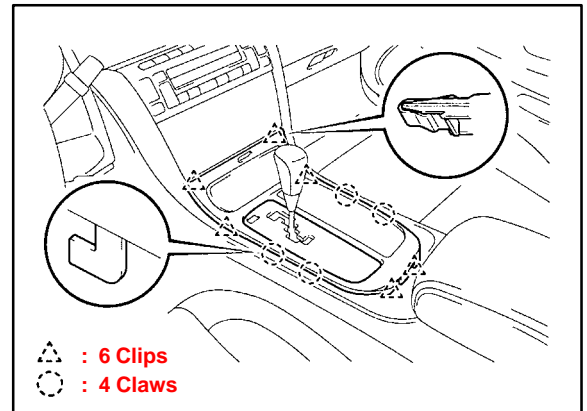
**Repair
Procedure:
SC 430**

SC 430:

1. Remove console panel sub-assembly upper.
 - A. Raise the center console door.
 - B. Using your thumbs, push forward on the back of the rear upper panel garnish, disengaging the rear claws.
 - C. Lift the garnish out of place.



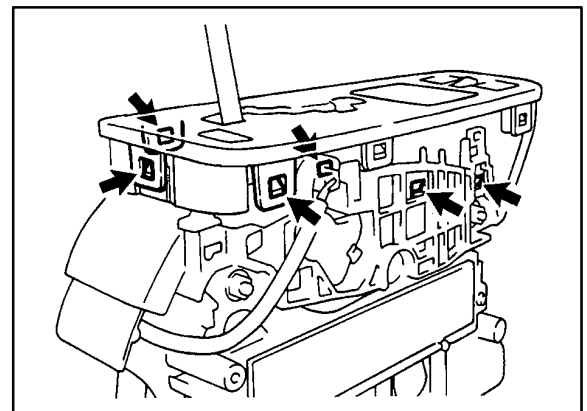
2. Remove upper console panel sub-assembly.
 - A. Shift the vehicle into neutral with the parking brake engaged.
 - B. With the ashtray door closed, lift the panel up and rearward to remove.



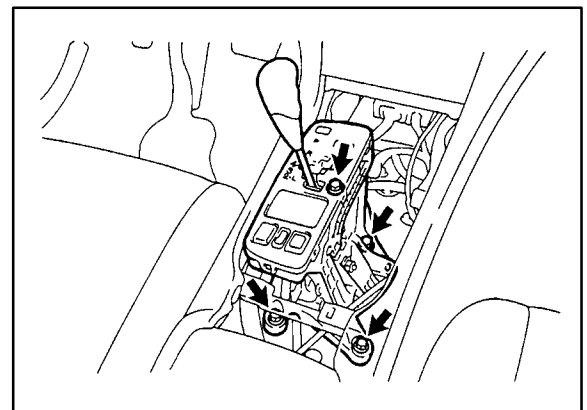
3. Remove shift position indicator.
 - A. Remove shift lever knob.
 - B. Remove shift position indicator.

NOTE:

The clear plastic tabs on the front are very fragile.



4. Loosen floor shift assembly.
 - A. Remove the 4 screws holding the shift assembly in place.
 - B. Lean the shift assembly over to the right.
5. Remove the shift lock control ECU sub-assembly and replace the rubber cushion as shown in the LS 430 repair steps 2 and 3 on previous page.



6. Reassemble and test for proper function.