

# Brake Actuator Knock Noise

**Service Category** Brake

**Section** Brake Control/Dynamic Control System **Market** USA

Lexus Supports  
ASE Certification 

## Applicability

YEAR(S)	MODEL(S)	ADDITIONAL INFORMATION
2007 – 2010	LS460	
2008 – 2010	LS600H	

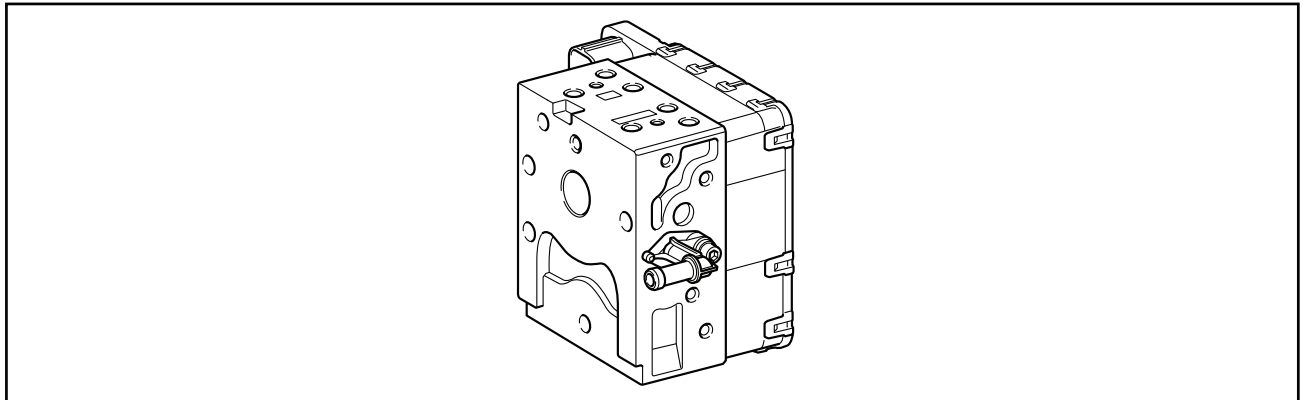
## Introduction

Some LS 460/460L and LS 600h vehicles may exhibit a knocking and/or clicking type noise from the brake actuator during light brake application when coming to a stop or when depressing the brake pedal while the vehicle is stopped. An improved brake actuator has been introduced to correct this condition.

Refer to the video link below for an example of the knock/click noise condition:

[LS Brake Knock/Click Noise Example](#)

**Figure 1. Brake Actuator**



## Brake Actuator Knock Noise

### Warranty Information

OP CODE	DESCRIPTION	TIME	OFF	T1	T2
BR9005	R & R Brake Actuator (includes brake bleed)	3.2	44050-50###	91	99

#### APPLICABLE WARRANTY

- This repair is covered under the Lexus Comprehensive Warranty. This warranty is in effect for 48 months or 50,000 miles, whichever occurs first, from the vehicle's in-service date.
- Warranty application is limited to occurrence of the specified condition described in this bulletin.

### Parts Information

MODEL	PREVIOUS PART NUMBER	CURRENT PART NUMBER	PART NAME	QTY
LS 460/460L	44050-50130	44050-50150	Actuator Assembly, Brake	1
LS 600h	44050-50110	44050-50170		1

### Required Tools & Equipment

REQUIRED EQUIPMENT	SUPPLIER	PART NUMBER	QTY
TIS Techstream* NOTE: Software version 4.20.018 or later is required.	ADE	TSPKG1	1

\* Essential SST.

#### NOTE

Additional TIS Techstream units may be ordered by calling Approved Dealer Equipment (ADE) at 1-800-368-6787.

REQUIRED MATERIAL	QTY
Brake Fluid SAE J1703 or FMVSS No. 116 DOT 3	As Needed

### Repair Procedure

1. Confirm the knocking and or clicking noise is coming from the brake actuator during light brake application or when depressing the brake pedal while the vehicle is stopped.
2. Prior to removing the brake actuator, zero down the accumulator pressure following Section 1 of TSIB [L-SB-0069-09](#), "Squawk/Bark Type Noise from Brake Actuator".

## Brake Actuator Knock Noise

---

### Repair Procedure (Continued)

3. Replace the brake actuator assembly.

Refer to the Technical Information System (TIS), applicable model and model year Repair Manual:

- 2007 LS 460:  
*Brake – Brake Control/Dynamic Control System – “Brake Control: Brake Actuator: [Removal](#) / [Installation](#)”*
- 2008 LS 460:  
*Brake – Brake Control/Dynamic Control System – “Brake Control: Brake Actuator: [Removal](#) / [Installation](#)”*
- 2009 LS 460:  
*Brake – Brake Control/Dynamic Control System – “Brake Control: Brake Actuator: [Removal](#) / [Installation](#)”*
- 2010 LS 460:  
*Brake – Brake Control/Dynamic Control System – “Brake Control: Brake Actuator: [Removal](#) / [Installation](#)”*
- 2008 LS 600h:  
*Brake – Brake Control/Dynamic Control System – “Brake Control: Brake Actuator: [Removal](#) / [Installation](#)”*
- 2009 LS 600h:  
*Brake – Brake Control/Dynamic Control System – “Brake Control: Brake Actuator: [Removal](#) / [Installation](#)”*
- 2010 LS 600h:  
*Brake – Brake Control/Dynamic Control System – “Brake Control: Brake Actuator: [Removal](#) / [Installation](#)”*

#### **IMPORTANT**

**After a NEW brake actuator is installed, DO NOT connect accumulator connectors and press the "Engine Start/Stop" button to the ignition ON position. If the connectors are plugged in and the ignition is turned ON, pressure will be built up in the accumulator.**

4. Press the "Engine Start/Stop" button to the ignition ON position and perform brake bleed starting with Section 2 of TSIB [L-SB-0069-09](#), “Squawk/Bark Type Noise from Brake Actuator”.
5. Road test the vehicle to verify proper brake operation and that the noise has been eliminated.