

4x2 SPECIFICATIONS

	4x2 Single Cab Chassis XT	4x2 Single Cab Chassis XT Hi-Rider	4x2 Freestyle Cab Chassis XT Hi-Rider	4x2 Dual Cab Utility XT Hi-Rider	4x2 Dual Cab Utility XTR Hi-Rider
--	---------------------------	------------------------------------	---------------------------------------	----------------------------------	-----------------------------------

Powertrain

Engine type	2.2 litre in-line 4 cylinder 16 valve DOHC intercooled turbo diesel		3.2 litre in-line 5 cylinder 20 valve DOHC intercooled turbo diesel		
Engine capacity	2,198 cc		3,198 cc		
Bore and stroke	86.0 mm x 94.6 mm		89.0 mm x 100.7 mm		
Compression ratio	15.5 : 1		15.5 : 1		
Maximum power	110 kW @ 3,700 rpm		147 kW @ 3,000 rpm		
Maximum torque	375 Nm @ 1,500 - 2,500 rpm		470 Nm @ 1,750 - 2,500 rpm		
Throttle control	Electronic (drive-by-wire)		Electronic (drive-by-wire)		
Fuel system	Common-rail, electronic direct injection		Common-rail, electronic direct injection		
Fuel tank capacity	80 litres		80 litres		
Recommended fuel	Diesel		Diesel		
Fuel consumption ¹	man (combined)	7.6 litres per 100 km	8.4 litres per 100 km		8.9 litres per 100 km
	auto (combined)	-	-	-	-
Emissions standard	Euro stage IV		Euro stage IV		
Alternator	12 volts - 110 amps		12 volts - 110 amps		
Manual transmission	6-speed		6-speed		
Automatic transmission	-		-		6-speed
Gear ratio - man/auto	1st	5.441 / -	5.441 / -	5.441 / 4.171	5.441 / 4.171
	2nd	2.839 / -	2.839 / -	2.839 / 2.342	2.839 / 2.342
	3rd	1.721 / -	1.721 / -	1.721 / 1.521	1.721 / 1.521
	4th	1.223 / -	1.223 / -	1.223 / 1.143	1.223 / 1.143
	5th	1.000 / -	1.000 / -	1.000 / 0.867	1.000 / 0.867
	6th	0.794 / -	0.794 / -	0.794 / 0.691	0.794 / 0.691
	reverse	4.935 / -	4.935 / -	4.935 / 3.403	4.935 / 3.403
	final drive	3.310 / -	3.550 / -	3.550 / 3.730	3.550 / 3.730

Chassis

Brake diameter	front	302 mm			
	rear	270 mm			
Brake type	front	Ventilated disc			
	rear	Drum			
Steering type	Rack and pinion hydraulic power assist steering				
Suspension type	front	Independent double wishbone with coil over dampers and anti-roll bar			
	rear	Rigid (live) rear axle with leaf springs			
Turning circle	kerb to kerb	11.8 m	12.4 m	12.4 m	12.4 m
Tyre size		215/70 R16C	255/70 R16	255/70 R16	255/70 R16
Tyre index		108/106S	111T	111T	111T
Wheel size		16 x 6.5 J	16 x 7.0 J	16 x 7.0 J	17 x 8.0 J
Wheel type		Steel	Steel	Steel	Alloy
Wheel size (spare)		16 x 6.5 J	16 x 7.0 J	16 x 7.0 J	17 x 7.5 J
Wheel type (spare)		Steel	Steel	Steel	Steel

Weights and Capacities

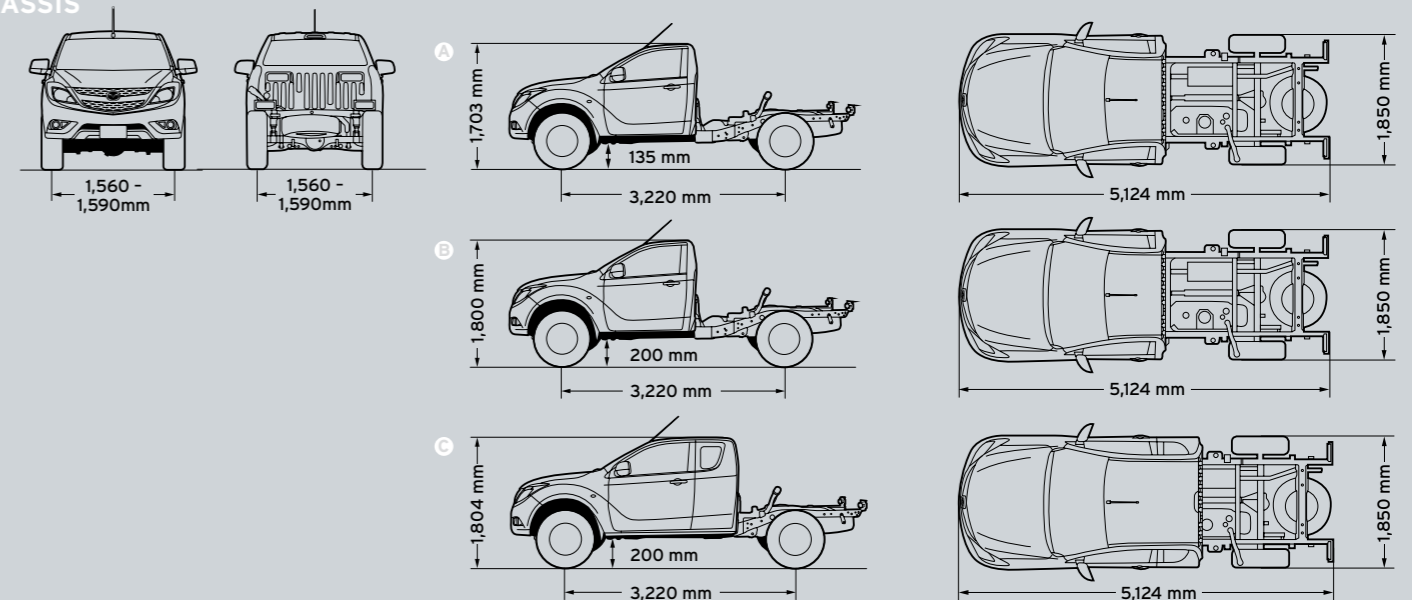
Axle capacity	front	1,324 kg	1,480 kg	1,480 kg	1,480 kg	1,480 kg
	rear	1,752 kg	1,850 kg	1,850 kg	1,850 kg	1,850 kg
Gross Combined Mass (GCM) ²	man	5,275 kg	5,950 kg	5,950 kg	5,950 kg	5,950 kg
	auto	-	-	-	5,950 kg	5,950 kg
Gross Vehicle Mass (GVM)	man	2,925 kg	3,200 kg	3,200 kg	3,200 kg	3,200 kg
	auto	-	-	-	3,200 kg	3,200 kg
Kerb weight	man	1,619 kg	1,692 kg	1,770 kg	1,944 kg	1,983 kg
	auto	-	-	-	1,964 kg	2,003 kg
Payload ³	man	1,306 kg	1,508 kg	1,430 kg	1,256 kg	1,217 kg
	auto	-	-	-	1,236 kg	1,197 kg
Seating capacity		3	3	4	5	5
Tow ball download	maximum	250 kg	335 kg	335 kg	335 kg	335 kg
Towing capacity ⁴	braked	2,500 kg	3,350 kg	3,350 kg	3,350 kg	3,350 kg
	unbraked	750 kg	750 kg	750 kg	750 kg	750 kg

	4x2 Single Cab Chassis XT	4x2 Single Cab Chassis XT Hi-Rider	4x2 Freestyle Cab Chassis XT Hi-Rider	4x2 Dual Cab Utility XT Hi-Rider	4x2 Dual Cab Utility XTR Hi-Rider
--	---------------------------	------------------------------------	---------------------------------------	----------------------------------	-----------------------------------

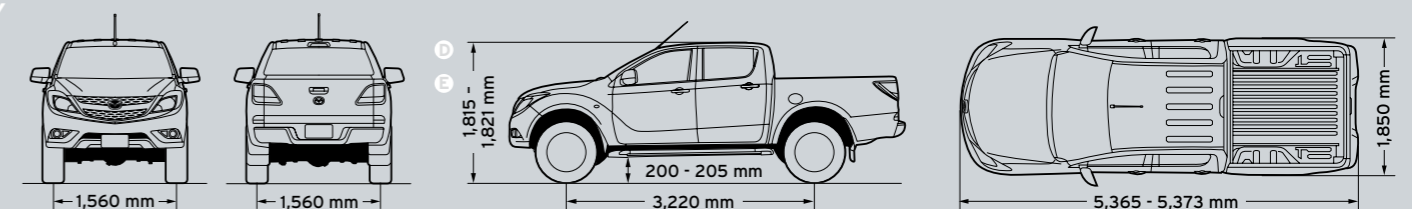
Dimensions

Cargo box floor height to ground		-	-	-	835 mm	841 mm
Cargo box floor length		-	-	-	1,549 mm	1,549 mm
Cargo box floor width		-	-	-	1,560 mm	1,560 mm
Cargo box height		-	-	-	513 mm	513 mm
Cargo box tailgate opening width		-	-	-	1,330 mm	1,330 mm
Cargo box top length		-	-	-	1,485 mm	1,485 mm
Cargo box top width		-	-	-	1,500 mm	1,500 mm
Cargo box width between wheel arches		-	-	-	1,139 mm	1,139 mm
Ground clearance	laden	135 mm	200 mm	200 mm	200 mm	205 mm
	unladen	201 mm	232 mm	232 mm	232 mm	237 mm
Overall length		5,124 mm	5,124 mm	5,124 mm	5,373 mm	5,365 mm
Overall width		1,850 mm	1,850 mm	1,850 mm	1,850 mm	1,850 mm
Overall height		1,703 mm	1,800 mm	1,804 mm	1,815 mm	1,821 mm
Overhang	front	919 mm	919 mm	919 mm	919 mm	919 mm
	rear	985 mm	985 mm	985 mm	1,234 mm	1,226 mm
Track	front	1,590 mm	1,560 mm	1,560 mm	1,560 mm	1,560 mm
	rear	1,590 mm	1,560 mm	1,560 mm	1,560 mm	1,560 mm
Wading depth		600 mm	800 mm	800 mm	800 mm	800 mm
Wheelbase		3,220 mm	3,220 mm	3,220 mm	3,220 mm	3,220 mm
Approach angle		22.0°	27.6°	27.6°	27.6°	28.2°
Departure angle		24.0°	28.4°	28.4°	27.1°	26.4°
Ramp breakover angle		17.0°	24.4°	24.4°	24.4°	25.0°

CAB CHASSIS



UTILITY



4x2 SPECIFICATIONS

	4x2 Single Cab Chassis XT	4x2 Single Cab Chassis XT Hi-Rider	4x2 Freestyle Cab Chassis XT Hi-Rider	4x2 Dual Cab Utility XT Hi-Rider	4x2 Dual Cab Utility XTR Hi-Rider
--	---------------------------	------------------------------------	---------------------------------------	----------------------------------	-----------------------------------

Exterior

Cargo box features:	centre tailgate release (black)	-	-	-	●	-
	centre tailgate release (chrome)	-	-	-	-	●
	double wall construction	-	-	-	●	●
	interior rope hooks (6)	-	-	-	●	●
Door handles (black)	●	●	●	●	-	
Door handles (chrome)	-	-	-	-	●	
Fog-lamps (front)	-	-	-	-	●	
Freestyle door system	-	-	●	-	-	
Front bumper (body coloured)	●	●	●	●	●	
Fuel filler cap (lockable)	●	●	●	-	-	
Green tinted windscreen, side and rear windows	●	●	●	●	●	
Headlamps (halogen)	●	●	●	●	●	
Metallic/Mica paint	○	○	○	○	○	
Mudflaps (front)	●	●	●	●	●	
Mudflaps (rear)	-	-	-	●	●	
Power mirrors (black)	●	●	●	●	-	
Power mirrors (chrome)	-	-	-	-	●	
Power windows	●	●	●	●	●	
Rear step bumper (black)	-	-	-	●	-	
Rear step bumper (chrome)	-	-	-	-	●	
Side steps (aluminium finish)	-	-	-	-	●	

Interior

Air-conditioning	●	●	●	●	-
Air-conditioning (dual-zone climate control)	-	-	-	-	●
Ambient temperature gauge	-	-	-	-	●
Auxiliary 12 volt power outlets	●	●	●	●	●
Bluetooth® (hands-free compatible) ⁵	●	●	●	●	●
Centre armrest console with dual compartments	-	-	●	●	●
Critical function warning lights/chimes	●	●	●	●	●
Cruise control	●	●	●	●	●
Cupholders	●	●	●	●	●
Door pockets	●	●	●	●	●
Driver's left footrest	●	●	●	●	●
Floor covering:					
carpet	-	-	-	-	●
vinyl	●	●	●	●	-
Glove box	●	●	●	●	-
Glove box (lockable and illuminated)	-	-	-	-	●
Illuminated entry system with delayed fade	●	●	●	●	●
Instrument panel light dimmer	●	●	●	●	●
Interior illumination:					
dome lamp	-	-	●	●	●
map reading spot lamps	●	●	●	●	●
power window switch (driver)	●	●	●	●	●
Leather-wrapped:					
gear shift knob	-	-	-	-	●
steering wheel	-	-	-	-	●
Low fuel warning light	●	●	●	●	●
Overhead sunglass storage box	●	●	●	●	●
Passenger assist grips	●	●	●	●	●
Satellite navigation	-	-	-	-	●
Seat trim:					
cloth	●	●	●	●	●
Seat (driver's bucket) with:					
adjustable head restraint	●	●	●	●	●
height and lumbar adjustment	-	-	-	-	●
rake and slide adjustment	●	●	●	●	●
Seat (passengers' front bench) with:					
adjustable head restraint	●	●	-	-	-
Seat (passengers' front bucket) with:					
adjustable head restraint	-	-	●	●	●

	4x2 Single Cab Chassis XT	4x2 Single Cab Chassis XT Hi-Rider	4x2 Freestyle Cab Chassis XT Hi-Rider	4x2 Dual Cab Utility XT Hi-Rider	4x2 Dual Cab Utility XTR Hi-Rider
--	---------------------------	------------------------------------	---------------------------------------	----------------------------------	-----------------------------------

Interior (continued)

Seat (passengers' front bucket) with:					
rake and slide adjustment	-	-	●	●	●
seat back pocket	-	-	●	●	●
Seat (passengers' rear bench) with:					
adjustable head restraints	-	-	-	●	●
foldable seat base and under-seat storage	-	-	-	●	●
Seat (passengers' rear jump) with:					
removable seat base and under-seat storage	-	-	●	-	-
Tachometer and electronic odometer/tripmeter	●	●	●	●	●
Tilt-adjustable steering wheel	●	●	●	●	●
Trip computer (current and average fuel consumption, distance to empty and average vehicle speed)	●	●	●	●	●
Vanity mirror (front passenger)	-	●	●	●	●
Window demister (rear)	●	●	●	●	●
Wipers (front) 2-speed with variable intermittent function	●	●	●	●	●

Audio

AM/FM tuner	●	●	●	●	●
Auxiliary input (3.5mm MP3 player compatible)	●	●	●	●	●
Bluetooth® audio (MP3 player compatible) ⁵	●	●	●	●	●
CD player, single disc (MP3/WMA compatible)	●	●	●	●	●
Speakers (4)	●	●	●	-	-
Speakers (6)	-	-	-	●	●
Steering wheel-mounted audio controls	●	●	●	●	●
USB input (iPod compatible)	●	●	●	●	●

Safety

Airbags SRS:					
front (driver and passenger)	●	●	●	●	●
side (front)	-	-	●	●	●
curtain (front)	●	●	-	-	-
curtain (front and rear)	-	-	●	●	●
Anti-lock Braking System (ABS)	●	●	●	●	●
Child restraint anchor points (2)	-	-	●	●	●
Childproof rear door locks	-	-	-	●	●
Dynamic Stability Control (DSC) - switchable on/off	●	●	●	●	●
Electronic Brake-force Distribution (EBD)	●	●	●	●	●
Emergency Brake Assist (EBA)	●	●	●	●	●
Engine immobiliser	●	●	●	●	●
Emergency Stop Signal (ESS)	●	●	●	●	●
High mount stop lamp	-	-	-	●	●
Hill Launch Assist (HLA)	●	●	●	●	●
Intrusion-minimising brake pedal	●	●	●	●	●
Left-hand-side convex (wide angle) exterior mirror	●	●	●	●	●
Load Adaptive Control (LAC)	●	●	●	●	●
One touch (up and down) power window (driver)	●	●	●	●	●
Remote central locking (2 transmitters with retractable key)	●	●	●	●	●
Roll Stability Control (RSC)	●	●	●	●	●
Seat-belt warning audible and visual (driver)	●	●	●	●	●
Seat-belt warning audible and visual (front passenger)	-	-	●	●	●
Seat-belts 3-point lap-sash (all seats)	●	●	●	●	●
Seat-belts (front) with: height adjustable shoulder anchorages	-	-	-	●	●
Seat-belts (front) with: pretensioners and load limiters	●	●	●	●	●
Side impact door beams	●	●	●	●	●
Traction Control System (TCS)	●	●	●	●	●
Trailer Sway Control (TSC)	●	●	●	●	●

4x4 SPECIFICATIONS

	4x4 Single Cab Chassis XT	4x4 Freestyle Cab Chassis XT	4x4 Freestyle Cab Utility XTR	4x4 Dual Cab Chassis XT	4x4 Dual Cab Utility XT	4x4 Dual Cab Utility XTR	4x4 Dual Cab Utility GT
--	---------------------------	------------------------------	-------------------------------	-------------------------	-------------------------	--------------------------	-------------------------

Powertrain

Engine type	3.2 litre in-line 5 cylinder 20 valve DOHC intercooled turbo diesel						
Engine capacity	3,198 cc						
Bore and stroke	89.0 mm x 100.7 mm						
Compression ratio	15.5 : 1						
Maximum power	147 kW @ 3,000 rpm						
Maximum torque	470 Nm @ 1,750 – 2,500 rpm						
Throttle control	Electronic (drive-by-wire)						
Fuel system	Common-rail, electronic direct injection						
Fuel tank capacity	80 litres						
Recommended fuel	Diesel						
Fuel consumption ¹	man (combined)	8.9 litres per 100 km					
	auto (combined)	-	-	-	-	9.2 litres per 100 km	
Emissions standard	Euro stage IV						
Alternator	12 volts - 110 amps						
Manual transmission	6-speed						
Automatic transmission	-	-	-	-	6-speed		
Gear ratio - man/auto	1st	5.441 / -	5.441 / -	5.441 / -	5.441 / -	5.441 / 4.171	5.441 / 4.171
	2nd	2.839 / -	2.839 / -	2.839 / -	2.839 / -	2.839 / 2.342	2.839 / 2.342
	3rd	1.721 / -	1.721 / -	1.721 / -	1.721 / -	1.721 / 1.521	1.721 / 1.521
	4th	1.223 / -	1.223 / -	1.223 / -	1.223 / -	1.223 / 1.143	1.223 / 1.143
	5th	1.000 / -	1.000 / -	1.000 / -	1.000 / -	1.000 / 0.867	1.000 / 0.867
	6th	0.794 / -	0.794 / -	0.794 / -	0.794 / -	0.794 / 0.691	0.794 / 0.691
	reverse	4.935 / -	4.935 / -	4.935 / -	4.935 / -	4.935 / 3.403	4.935 / 3.403
	final drive	3.550 / -	3.550 / -	3.550 / -	3.550 / -	3.550 / 3.730	3.550 / 3.730
Transfer gear	high	1.000	1.000	1.000	1.000	1.000	1.000
	low	2.718	2.718	2.718	2.718	2.718	2.718

Chassis

Brake diameter	front	302 mm					
	rear	295 mm					
Brake type	front	Ventilated disc					
	rear	Drum					
Steering type	Rack and pinion hydraulic power assist steering						
Suspension type	front	Independent double wishbone with coil over dampers and anti-roll bar					
	rear	Rigid (live) rear axle with leaf springs					
Turning circle	kerb to kerb	12.4 m					
Tyre size		255/70 R16	255/70 R16	265/65 R17	255/70 R16	255/70 R16	265/65 R17
Tyre index		111T	111T	112T	111T	111T	112T
Wheel size		16 x 7.0 J	16 x 7.0 J	17 x 8.0 J	16 x 7.0 J	16 x 7.0 J	17 x 8.0 J
Wheel type		Steel	Steel	Alloy	Steel	Steel	Alloy
Wheel size (spare)		16 x 7.0 J	16 x 7.0 J	17 x 7.5 J	16 x 7.0 J	16 x 7.0 J	17 x 7.5 J
Wheel type (spare)		Steel	Steel	Steel	Steel	Steel	Steel

Weights and Capacities

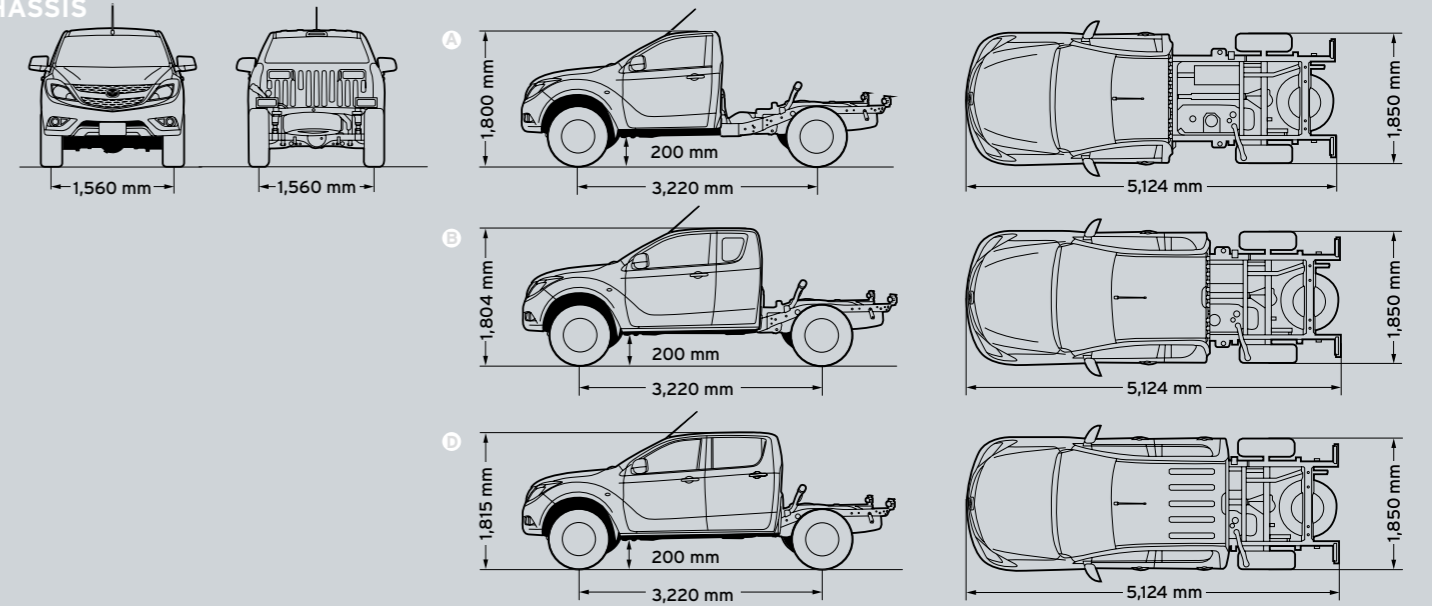
Axle capacity	front	1,480 kg	1,480 kg	1,480 kg	1,480 kg	1,480 kg	1,480 kg
	rear	1,850 kg	1,850 kg	1,850 kg	1,850 kg	1,850 kg	1,850 kg
Gross Combined Mass (GCM) ²	man	5,950 kg	5,950 kg	5,950 kg	5,950 kg	5,950 kg	5,950 kg
	auto	-	-	-	-	5,950 kg	5,950 kg
Gross Vehicle Mass (GVM)	man	3,200 kg	3,200 kg	3,200 kg	3,200 kg	3,200 kg	3,200 kg
	auto	-	-	-	-	3,200 kg	3,200 kg
Kerb weight	man	1,789 kg	1,857 kg	2,037 kg	1,929 kg	2,044 kg	2,095 kg
	auto	-	-	-	-	2,061 kg	2,112 kg
Payload ³	man	1,411 kg	1,343 kg	1,163 kg	1,271 kg	1,156 kg	1,105 kg
	auto	-	-	-	-	1,139 kg	1,088 kg
Seating capacity		3	4	4	5	5	5
Tow ball download	maximum	335 kg	335 kg	335 kg	335 kg	335 kg	335 kg
Towing capacity ⁴	braked	3,350 kg	3,350 kg	3,350 kg	3,350 kg	3,350 kg	3,350 kg
	unbraked	750 kg	750 kg	750 kg	750 kg	750 kg	750 kg

	A 4x4 Single Cab Chassis XT	B 4x4 Freestyle Cab Chassis XT	C 4x4 Freestyle Cab Utility XTR	D 4x4 Dual Cab Chassis XT	E 4x4 Dual Cab Utility XT	F 4x4 Dual Cab Utility XTR	G 4x4 Dual Cab Utility GT
--	--------------------------------	-----------------------------------	------------------------------------	------------------------------	------------------------------	-------------------------------	------------------------------

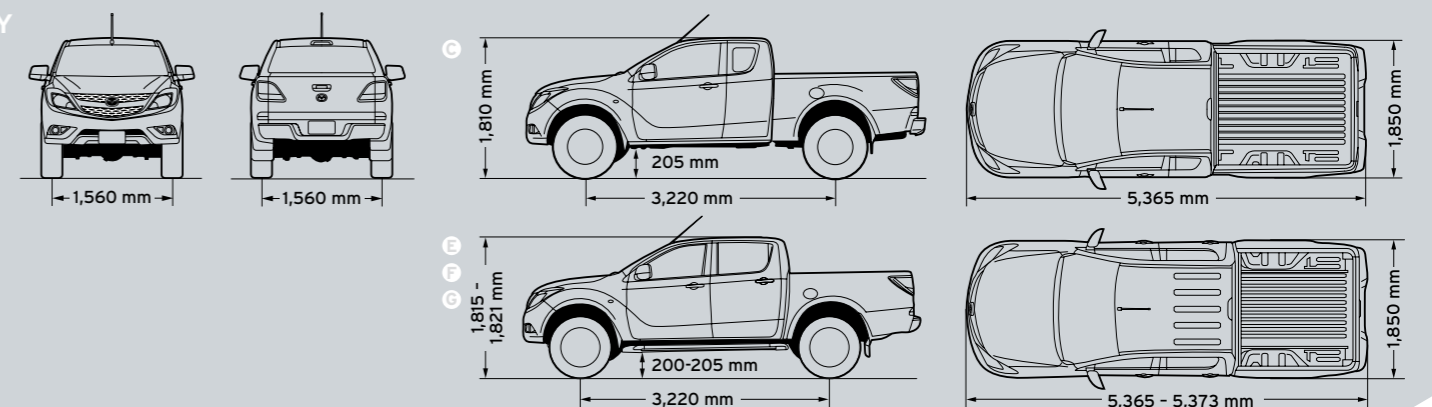
Dimensions

Cargo box floor height to ground	-	-	835 mm	-	835 mm	841 mm	841 mm
Cargo box floor length	-	-	1,847 mm	-	1,549 mm	1,549 mm	1,549 mm
Cargo box floor width	-	-	1,560 mm	-	1,560 mm	1,560 mm	1,560 mm
Cargo box height	-	-	513 mm	-	513 mm	513 mm	513 mm
Cargo box tailgate opening width	-	-	1,330 mm	-	1,330 mm	1,330 mm	1,330 mm
Cargo box top length	-	-	1,783 mm	-	1,485 mm	1,485 mm	1,485 mm
Cargo box top width	-	-	1,500 mm	-	1,500 mm	1,500 mm	1,500 mm
Cargo box width between wheel arches	-	-	1,139 mm	-	1,139 mm	1,139 mm	1,139 mm
Ground clearance	laden	200 mm	200 mm	205 mm	200 mm	205 mm	205 mm
	unladen	232 mm	232 mm	237 mm	232 mm	237 mm	237 mm
Overall length		5,124 mm	5,124 mm	5,365 mm	5,124 mm	5,373 mm	5,365 mm
Overall width		1,850 mm	1,850 mm	1,850 mm	1,850 mm	1,850 mm	1,850 mm
Overall height		1,800 mm	1,804 mm	1,810 mm	1,815 mm	1,815 mm	1,821 mm
Overhang	front	919 mm	919 mm	919 mm	919 mm	919 mm	919 mm
	rear	985 mm	985 mm	1,226 mm	985 mm	1,234 mm	1,226 mm
Track	front	1,560 mm	1,560 mm	1,560 mm	1,560 mm	1,560 mm	1,560 mm
	rear	1,560 mm	1,560 mm	1,560 mm	1,560 mm	1,560 mm	1,560 mm
Wading depth		800 mm	800 mm	800 mm	800 mm	800 mm	800 mm
Wheelbase		3,220 mm	3,220 mm	3,220 mm	3,220 mm	3,220 mm	3,220 mm
Approach angle		27.6°	27.6°	28.2°	27.6°	27.6°	28.2°
Departure angle		28.4°	28.4°	26.4°	28.4°	26.4°	26.4°
Ramp breakover angle		24.4°	24.4°	25.0°	24.4°	25.0°	25.0°

CAB CHASSIS



UTILITY



● Standard Feature - Not Available ○ No Cost Option

4x4 SPECIFICATIONS

	4x4 Single Cab Chassis XT	4x4 Freestyle Cab Chassis XT	4x4 Freestyle Cab Utility XTR	4x4 Dual Cab Chassis XT	4x4 Dual Cab Utility XT	4x4 Dual Cab Utility XTR	4x4 Dual Cab Utility GT
--	---------------------------	------------------------------	-------------------------------	-------------------------	-------------------------	--------------------------	-------------------------

Exterior

Cargo box features:	centre tailgate release (black)	-	-	-	-	●	-
	centre tailgate release (chrome)	-	-	●	-	-	●
	double wall construction	-	-	●	-	●	●
	interior rope hooks (6)	-	-	●	-	●	●
Door handles (black)	●	●	-	●	●	-	-
Door handles (chrome)	-	-	●	-	-	●	●
Fog-lamps (front)	-	-	●	-	-	●	●
Freestyle door system	-	●	●	-	-	-	-
Front bumper (body coloured)	●	●	●	●	●	●	●
Fuel filler cap (lockable)	●	●	-	●	-	-	-
Green tinted windscreen, side and rear windows	●	●	●	●	●	●	●
Headlamps (halogen)	●	●	●	●	●	●	●
Metallic/Mica paint	○	○	○	○	○	○	○
Mudflaps (front)	●	●	●	●	●	●	●
Mudflaps (rear)	-	-	●	-	●	●	●
Power mirrors (black)	●	●	-	●	●	-	-
Power mirrors (chrome)	-	-	●	-	-	●	●
Power windows	●	●	●	●	●	●	●
Rear step bumper (black)	-	-	-	-	●	-	-
Rear step bumper (chrome)	-	-	●	-	-	●	●
Side steps (aluminium finish)	-	-	●	-	-	●	●
Under-body impact protection	●	●	●	●	●	●	●

Interior

Air-conditioning	●	●	-	●	●	-	-
Air-conditioning (dual-zone climate control)	-	-	●	-	-	●	●
Ambient temperature gauge	-	-	●	-	-	●	●
Auxiliary 12 volt power outlets	●	●	●	●	●	●	●
Bluetooth® (hands-free compatible) ⁵	●	●	●	●	●	●	●
Centre armrest console with dual compartments	-	●	●	●	●	●	●
Critical function warning lights/chimes	●	●	●	●	●	●	●
Cruise control	●	●	●	●	●	●	●
Cupholders	●	●	●	●	●	●	●
Door pockets	●	●	●	●	●	●	●
Driver's left footrest	●	●	●	●	●	●	●
Floor covering:	carpet	-	●	-	-	●	●
	vinyl	●	●	-	●	-	-
Glove box	●	●	-	●	●	-	-
Glove box (lockable and illuminated)	-	-	●	-	-	●	●
Headlamps auto on/off function	-	-	-	-	-	-	●
Illuminated entry system with delayed fade	●	●	●	●	●	●	●
Instrument panel light dimmer	●	●	●	●	●	●	●
Interior illumination:	dome lamp	-	●	●	●	●	●
	map reading spot lamps	●	●	●	●	●	●
	power window switch (driver)	●	●	●	●	●	●
Leather-wrapped:	gear shift knob	-	●	-	-	●	●
	steering wheel	-	-	●	-	●	●
Low fuel warning light	●	●	●	●	●	●	●
Overhead sunglasses storage box	●	●	●	●	●	●	●
Passenger assist grips	●	●	●	●	●	●	●
Rear-view mirror with auto dimming function	-	-	-	-	-	-	●
Satellite navigation	-	-	●	-	-	●	●
Seat trim:	cloth	●	●	●	●	●	-
	leather ⁶	-	-	-	-	-	●
Seat (driver's bucket) with:	adjustable head restraint	●	●	●	●	●	●
	height and lumbar adjustment	-	-	●	-	●	●
	rake and slide adjustment	●	●	●	●	●	●
Seat (passengers' front bench) with:	adjustable head restraint	●	-	-	-	-	-

	4x4 Single Cab Chassis XT	4x4 Freestyle Cab Chassis XT	4x4 Freestyle Cab Utility XTR	4x4 Dual Cab Chassis XT	4x4 Dual Cab Utility XT	4x4 Dual Cab Utility XTR	4x4 Dual Cab Utility GT
--	---------------------------	------------------------------	-------------------------------	-------------------------	-------------------------	--------------------------	-------------------------

Interior (continued)

Seat (passengers' front bucket) with:	adjustable head restraint	-	●	●	●	●	●
	rake and slide adjustment	-	●	●	●	●	●
	seat back pocket	-	●	●	●	●	●
Seat (passengers' rear bench) with:	adjustable head restraints	-	-	-	●	●	●
	foldable seat base and under-seat storage	-	-	-	●	●	●
Seat (passengers' rear jump) with:	removable seat base and under-seat storage	-	●	●	-	-	-
Tachometer and electronic odometer/tripmeter	●	●	●	●	●	●	●
Tilt-adjustable steering wheel	●	●	●	●	●	●	●
Trip computer (current and average fuel consumption, distance to empty and average vehicle speed)	●	●	●	●	●	●	●
Vanity mirror (front passenger)	●	●	●	●	●	●	●
Window demister (rear)	●	●	●	●	●	●	●
Wipers (front) 2-speed with rain-sensing function	-	-	-	-	-	-	●
Wipers (front) 2-speed with variable intermittent function	●	●	●	●	●	●	-

Audio

AM/FM tuner	●	●	●	●	●	●	●
Auxiliary input (3.5mm MP3 player compatible)	●	●	●	●	●	●	●
Bluetooth® audio (MP3 player compatible) ⁵	●	●	●	●	●	●	●
CD player, single disc (MP3/WMA compatible)	●	●	●	●	●	●	●
Speakers (4)	●	●	●	-	-	-	-
Speakers (6)	-	-	-	●	●	●	●
Steering wheel-mounted audio controls	●	●	●	●	●	●	●
USB input (iPod compatible)	●	●	●	●	●	●	●

Safety

Airbags SRS:	front (driver and passenger)	●	●	●	●	●	●
	side (front)	-	●	●	●	●	●
	curtain (front)	●	-	-	-	-	-
	curtain (front and rear)	-	●	●	●	●	●
Anti-lock Braking System (ABS)	●	●	●	●	●	●	●
Child restraint anchor points (2)	-	●	●	●	●	●	●
Childproof rear door locks	-	-	-	●	●	●	●
Dynamic Stability Control (DSC) - switchable on/off	●	●	●	●	●	●	●
Electronic Brake-force Distribution (EBD)	●	●	●	●	●	●	●
Emergency Brake Assist (EBA)	●	●	●	●	●	●	●
Engine immobiliser	●	●	●	●	●	●	●
Emergency Stop Signal (ESS)	●	●	●	●	●	●	●
High mount stop lamp	-	-	●	-	●	●	●
Hill Descent Control (HDC)	●	●	●	●	●	●	●
Hill Launch Assist (HLA)	●	●	●	●	●	●	●
Intrusion-minimising brake pedal	●	●	●	●	●	●	●
Left-hand-side convex (wide angle) exterior mirror	●	●	●	●	●	●	●
Load Adaptive Control (LAC)	●	●	●	●	●	●	●
Locking Rear Differential (LRD) - switchable on/off	●	●	●	●	●	●	●
One touch (up and down) power window (driver)	●	●	●	●	●	●	●
Remote central locking (2 transmitters with retractable key)	●	●	●	●	●	●	●
Roll Stability Control (RSC)	●	●	●	●	●	●	●
Seat-belt warning audible and visual (driver)	●	●	●	●	●	●	●
Seat-belt warning audible and visual (front passenger)	-	●	●	●	●	●	●
Seat-belts 3-point lap-sash (all seats)	●	●	●	●	●	●	●
Seat-belts (front) with: height adjustable shoulder anchorages	-	-	-	●	●	●	●
Seat-belts (front) with: pretensioners and load limiters	●	●	●	●	●	●	●
Side impact door beams	●	●	●	●	●	●	●
Traction Control System (TCS)	●	●	●	●	●	●	●
Trailer Sway Control (TSC)	●	●	●	●	●	●	●

● Standard Feature - Not Available ○ No Cost Option