

© 2008 Mazda Motor of America, Inc.

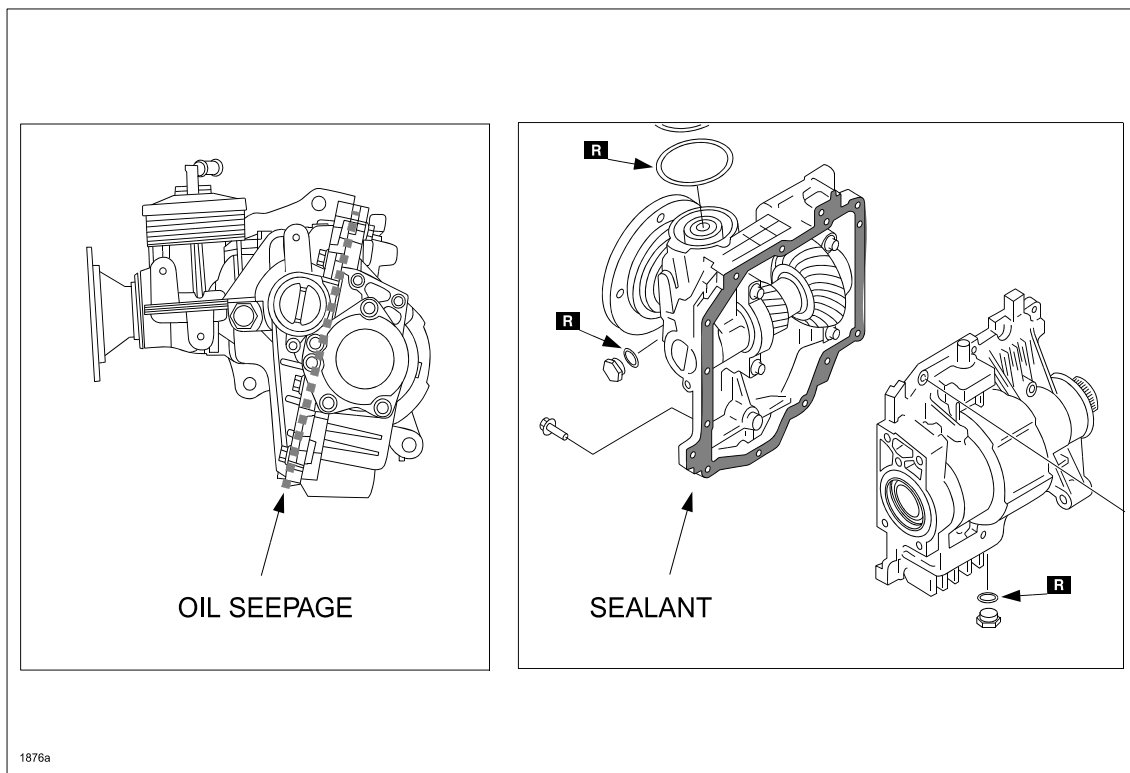
| | |
|--|--------------------------------|
| Subject: OIL SEEPAGE FROM TRANSFER CASE | Bulletin No: 03-001/08 |
| | Last Issued: 01/09/2008 |

APPLICABLE MODEL(S)/VINS

2006-2007 Mazdaspeed6 vehicles with VINs lower than JM1GG12L*7*108052 (produced before July 1, 2006)

DESCRIPTION

Some vehicles may experience oil seepage from the transfer case in the following location.



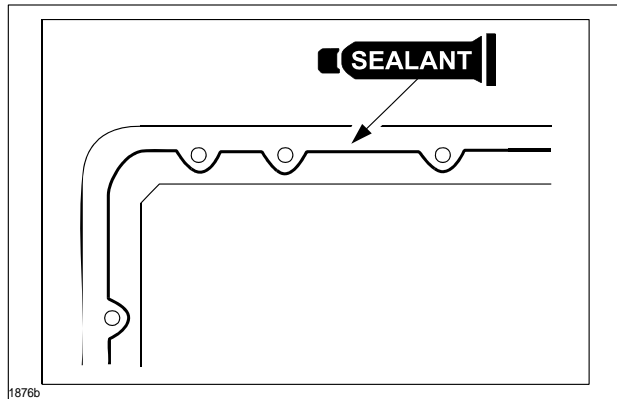
This may be caused by insufficient cleaning of the mating surfaces of the front and rear cases before applying sealant.

The cleaning and assembly process has been improved during production.

Customers having this concern should have their vehicle repaired using the following repair procedure.

REPAIR PROCEDURE

1. Verify customer concern.
2. Remove transfer case according to Workshop Manual (section 05-17 TRANSFER REMOVAL/INSTALLATION).
3. Completely remove sealant and oil off contact surfaces and bolt holes of both case halves with Brake Clean.
4. Apply locally sourced Permatex Ultra Grey RTV sealant to case as shown.



5. Reinstall transfer case according to Workshop Manual (section 05-17 TRANSFER REMOVAL/INSTALLATION).
6. Verify repair.

PART(S) INFORMATION

| Part Number | Description | Qty. | Note |
|-------------|-------------------------|------|------------------------|
| ---- | Permatex Ultra Grey RTV | 1 | Source sealant locally |

WARRANTY INFORMATION

NOTE:

- This warranty information applies only to verified customer complaints on vehicles eligible for warranty repair. Refer to the Warranty Wizard for warranty term information.
- Additional diagnostic time cannot be claimed for this repair.

| | |
|---------------------------------|---------------------|
| Warranty Type | A |
| Symptom Code | 76 |
| Damage Code | 9K |
| Part Number Main Cause | 7777-19-038 |
| Quantity | 0 |
| Operation Number / Labor Hours: | XXC5LXRX / 4.3 Hrs. |