

# The CLS Coupé



Mercedes-Benz



This Brochure is prepared by Daimler AG and it predominantly reflects the capabilities and performance of vehicles sold in Europe. Some characteristics, capabilities, performance features and optional extras (e.g. towing systems) may not be available or may not apply in Australia or under Australian conditions. The information in this Brochure is therefore indicative, illustrative and provided only for guidance and should not be relied on. To obtain current and accurate information on a vehicle and any options applicable to Australia, contact your local authorised Mercedes-Benz retailer. The declared fuel and energy consumption figures are determined by testing under standardised laboratory conditions to comply with ADR 81 /02. Real world fuel consumption is influenced by many additional factors such as fuel quality, individual driving style, load, traffic, and vehicle condition. The declared fuel consumption figure should only be used for the purpose of comparison amongst vehicles.



Risk the  
**Attention**

The first time you meet. Everything changes. You can't take your eyes away, as this iconic design calls out for your undivided attention. The first moment is all it takes. The obsession takes over. Stand out in the dark, stand out proud.

Pure longing for  
something very special.

The first experience. Immediately charming. The silky-smooth power of an in-line 6-cylinder engine has always had a seductive effect on lovers of fine automobiles. Every touch of the accelerator pedal is a sensual experience inspiring the desire for more.



Determined to conquer.

The challenge is full on, the front section self-assured in the way it inclines forward. The MULTIBEAM LED headlamps with ULTRA RANGE Highbeam radiate innovative power. Between them a diamond radiator grille, reminiscent in its outline of certain legendary racing cars. Determined to conquer the road and the hearts of true automotive enthusiasts.





The impression: refined.  
The temptation: major.

The first touch. Soft leather, fine wood and a glass-fronted widescreen cockpit that appears to float freely. It all feels just right. Stimulating the senses. Yet relaxing you at the same time. Even the air vents are given dramatic colour highlights. With the new, optional ENERGIZING comfort control you can draw fresh energy and concentration.

The sense of appreciation grows  
with every turn of the road.

Do you ever get a sense of being in just the right place at just the right time? You can enjoy that feeling all the time in the CLS, because the AIR BODY CONTROL adaptive suspension ensures optimum adjustment, whatever the driving situation.



Possibly one of the last  
style icons of our time.



## The Widescreen Cockpit transforms information into fascination.

The instrument display brings hitherto unknown opportunities for presenting information to the driver. What we have here is a digital instrument cluster, which operates in conjunction with the display of the multimedia system to form the widescreen cockpit. The screen of each display is 31.2 cm (12.3 inches) in size, with the information shown in high resolution. The driver can choose between the three display styles of “Classic,” “Sporty” and “Progressive.”



### EVERYTHING YOU NEED IN CLEAR VIEW. AND AT YOUR FINGERTIPS

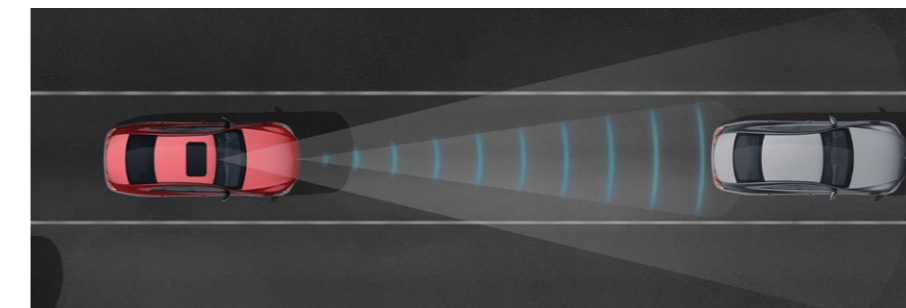
The Head-up Display projects a virtual image measuring approx. 21 x 7 cm into the driver's field of vision, which appears to float over the bonnet around two metres in front of the driver. The ideal complement to this is the **touchpad**, allowing intuitive operation via single- or multi-finger gestures. Operating convenience is enhanced noticeably further by the introduction of haptic and acoustic feedback.



## New assistance systems: intelligently automated.

Partially automated driving, autonomous braking and active support for the driver on motorways, country roads and even in town. The right lighting for the conditions, at any time of day or night. Welcome to **Mercedes-Benz Intelligent Drive**. The driver is relieved of strain, whatever the traffic situation, ensuring that they're significantly more relaxed when they get where they're going.

### SELECTED OPTIONAL HIGHLIGHTS FROM MERCEDES-BENZ INTELLIGENT DRIVE



**Active Distance Assist DISTRONIC** and **Active Steering Assist** are able to maintain automatically the correct distance to vehicles ahead and to follow them, at speeds of up to 210 km/h.



**Route-based speed adaptation** anticipates upcoming road features such as bends, junctions or roundabouts and adjusts the vehicle's speed accordingly.



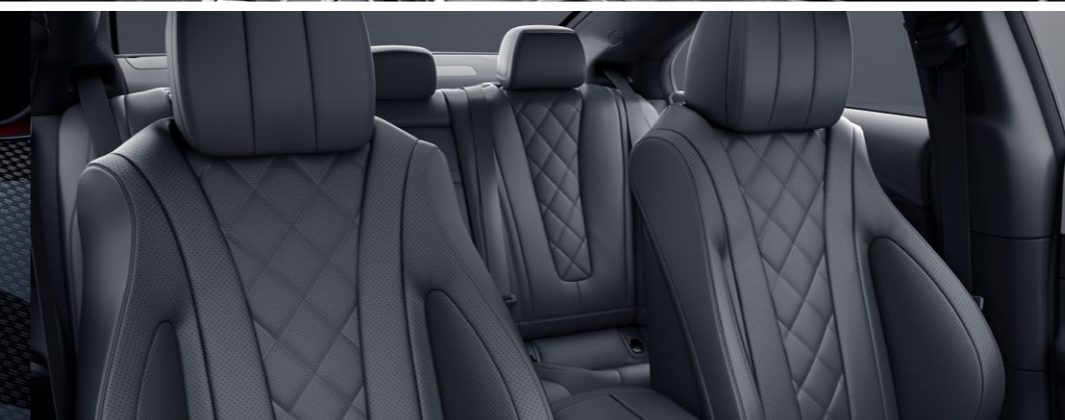
**Active Speed Limit Assist** adopts speed limits detected by camera or known to the navigation system as the new set speed for **Active Distance Assist DISTRONIC**.



The **MULTIBEAM LED headlamps** react quickly to the current road and traffic conditions with individually controllable LEDs. The partial main beam masks out other road users detected; when the road ahead is clear, **ULTRA RANGE Highbeam** switches to permanent long-range illumination of the carriageway.

Various safety systems and features included in Mercedes-Benz vehicles are driver assistance aids only. The driver at all times remains solely responsible for monitoring the driving environment and observing all traffic and/or speed signs as well as complying with all applicable road rules. In particular when accepting the displayed speed restriction when Active Distance Assist DISTRONIC, cruise control, or the speed limiter is activated, it is the driver's responsibility to adjust the speed of the vehicle in accordance with the designated speed limits.





## MULTIBEAM LED headlamps. Major engineering skill. Minor works of art.

The **MULTIBEAM LED** option allows extremely fast and precise adaptation of the headlamps to the prevailing road and traffic conditions. The light is always directed to precisely where it is needed via 84 individually controllable LEDs. A total of four control units calculate the ideal light pattern 100 times per second using information from a camera behind the windscreen. The distinctive **LED rear lamps** are almost minor works of art in their own right. Edge Light technology ensures a high-quality visual appearance with an impression of depth.

## ENERGIZING comfort control – helping you draw fresh energy and concentration.

The optional **ENERGIZING comfort control** function links various comfort systems to create precisely defined programmes. In monotonous driving situations these can activate, or develop a targeted sense of wellbeing. Each programme integrates the climate control system, fragrancing/ionisation and music/videos, along with the massage, heating and ventilation functions of the seats. Another key element is the standard **ambient lighting** feature. This defines the atmosphere for the interior in spectacular style, for example with illuminated air vents that even change colour when the temperature is adjusted.

## Active multicontour seats. Seating comfort, tailored to your needs.

Thanks to their inflatable air chambers, the optional **active multicontour seats** with dynamic function and ENERGIZING massage function ensure the best possible seating comfort and outstanding lateral support. The ENERGIZING massage function stimulates and relaxes the back muscles as required, with 14 air chambers in the seat backrest and four in the seat cushion, along with eight massage programmes, each with two intensity levels. This function can therefore help you to stay fit and alert – even on long journeys. The combination of gentle pressure and pleasant warmth is particularly effective.

## Burmester® high-end 3D surround sound system. A true icon, right to the last note.

The optional **Burmester® high-end 3D surround sound system** will delight even the most discerning ears, courtesy of 25 specially designed high-performance loudspeakers, 25 amplifier channels with a total system output of up to 1450 watts and technologies developed exclusively for this vehicle. The combination of analogue and digital elements results in an extraordinarily expressive, three-dimensional and sophisticated sound – the Burmester® “feel-good sound”. Thanks to 3D surround sound, the vehicle occupants are able to enjoy a three-dimensional experience of mono, stereo as well as 5.1 music signals.

## Exceptional: the standard equipment.

Even the standard specification conveys a sense of elegance and sportiness. The equipment and appointments include the typical coupé front end with diamond radiator grille, the 45.7 cm (18-inch) light-alloy wheels with mixed tyres and the two-section rear bumper with two chrome-plated tailpipe finishers. The exquisitely finished interior, too, is suitably expressive, with a 3-spoke sports steering wheel, aluminium trim and seats upholstered in ARTICO man-made leather/fabric in black.



## Thrillingly dynamic: the AMG Line.

The AMG bodystyling and AMG light-alloy wheels enhance the car's sporty appeal. The diamond radiator grille with chrome pins and the sportily dimensioned brakes with perforated brake discs are also all within the scope of the standard equipment. Typical AMG features have also been added to the interior of the AMG Line to further enhance its sportiness and exclusivity: the multifunction sports steering wheel with flattened bottom section, the sporty seats in a specific design, sports pedals and AMG floor mats.



## Expressive sportiness: the Night package.

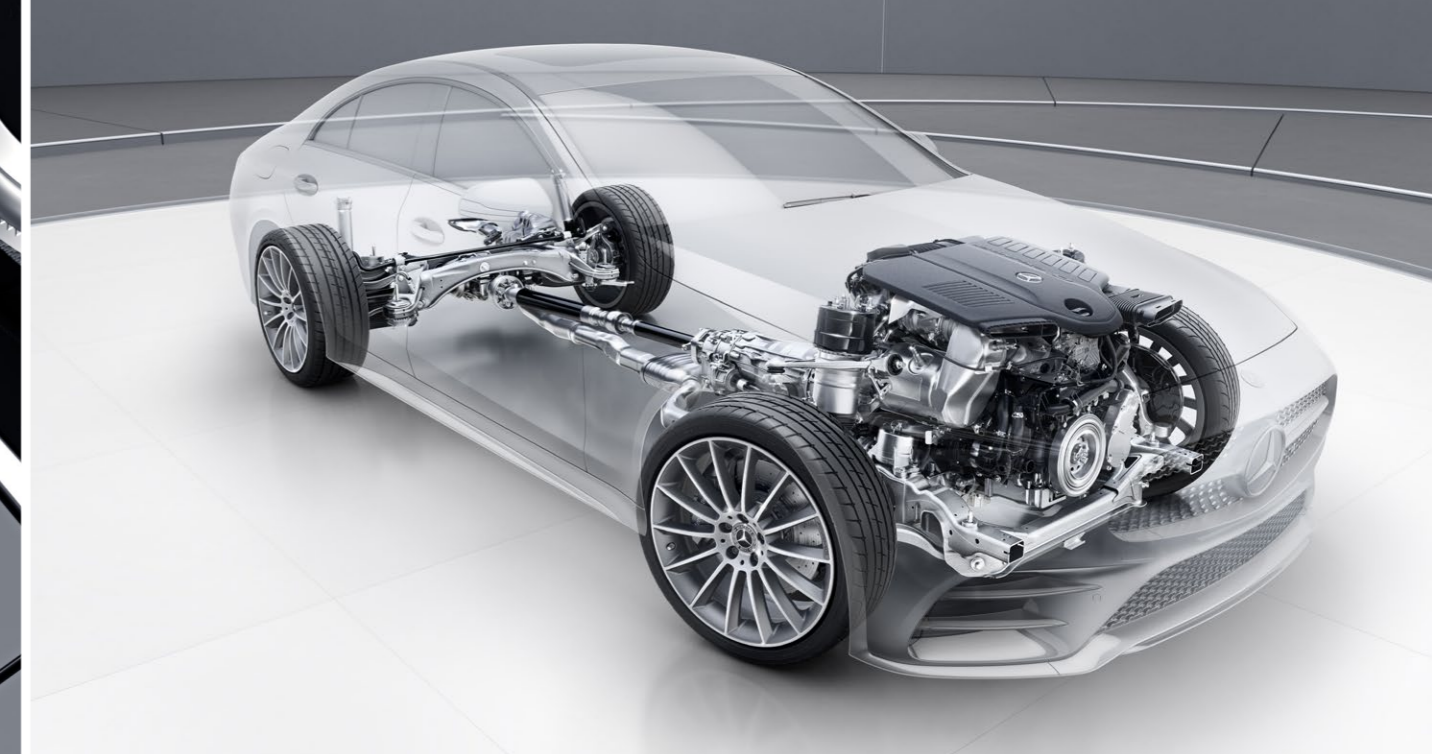
The black features of the optional Night package make the exterior even more sporty and expressive. The package includes features in high-gloss black such as the louvre of the diamond radiator grille, the exterior mirror housings, the beltline trim strip and the window surrounds. The light-alloy wheels with their high-sheen finish are also black. A further feature is the heat-insulating dark-tinted glass for the side windows in the back and the rear window.



## Stylish luxury: designo.

The optional colour concepts of designo macchiato beige/tizian red and black/titanium grey pearl add to the luxurious handcrafted character of the interior. Features include sporty seats upholstered in designo nappa leather – in this case with diamond-pattern quilting and a perforated seat cushion. Coordinated trim, the upper section of the dashboard in nappa leather, the roof liner and the floor mats with “designo” badges round off the concept for the interior.





## DYNAMIC BODY CONTROL: a touch of a button that changes everything.

The optional **DYNAMIC BODY CONTROL** suspension with Adaptive Damping System for front and rear axle allows individual adjustment of the damping – unlike the AIR BODY CONTROL air suspension system, it is based on the standard comfort suspension. By pressing the DYNAMIC SELECT key in the centre console, the driver is able to adjust the suspension characteristics according to preference, driving style, route profile and road surface. A roll stabilisation system automatically reduces the sprung mass vibrations of the body. In drive modes “Sport” and “Sport+” the effect of the dampers is increased, thereby reaching a level of agility comparable with that of a sports car.

### DIRECT-STEER

The Direct-Steer system adds to the comfort of speed-sensitive power steering with a variable steering ratio dependent on the steering wheel angle. On winding roads, for example, this leads to more agile responses from the vehicle, while straight-line stability is also enhanced.

## AIR BODY CONTROL – constant adjustment ensures unique level of comfort.

In combination with continuously variable damper control, the **AIR BODY CONTROL** multi-chamber air suspension system provides top-class ride comfort and driving dynamics. The damping system adjusts to the specific driving and road conditions at each wheel. This is done rapidly and precisely using separate valves for the compression and rebound of the dampers. The passengers enjoy a basic suspension that is soft and, as the speed increases, a secure feeling from the high level of driving stability. A stiffening of the spring response, for instance on bends or when braking, effectively reduces rolling movements. Via DYNAMIC SELECT, the AIR BODY CONTROL function allows a choice of three levels: “Comfort”, “Sport” and “Sport +”, for a more comfortable ride or a sportier style of driving. The pneumatic all-round self-levelling system, meanwhile, keeps the vehicle’s level constant, irrespective of the load it is carrying. At speeds above 138 km/h the suspension is automatically lowered by 15 mm, helping to reduce aerodynamic drag and further improve handling stability.

### COMFORT SUSPENSION WITH LOWERING FUNCTION

The standard **comfort suspension** with selective passive damping system ensures well-balanced ride comfort by optimising ride characteristics, damping effect and stabilisation according to the road surface conditions. Lowering the vehicle by 15 mm drops the centre of gravity, thereby improving handling, on bends in particular, and giving the vehicle a sportier look.

# Performing in style.

Every Mercedes-AMG is a masterpiece in its own right, with an unmistakable character. What unites our performance vehicles and sports cars is their irrepressible sporting spirit. Their passion for top performance. It is generated at the point where engineering skill meets a very special attitude: the spirit of AMG. We believe that you have to keep on challenging limits in order to achieve new goals. We accept nothing as a given. Because limits are imposed by people, and it's also people who can overcome them. It's this attitude that enables us to achieve outstanding performance for the race track – and for the road.

Welcome to the world of AMG.

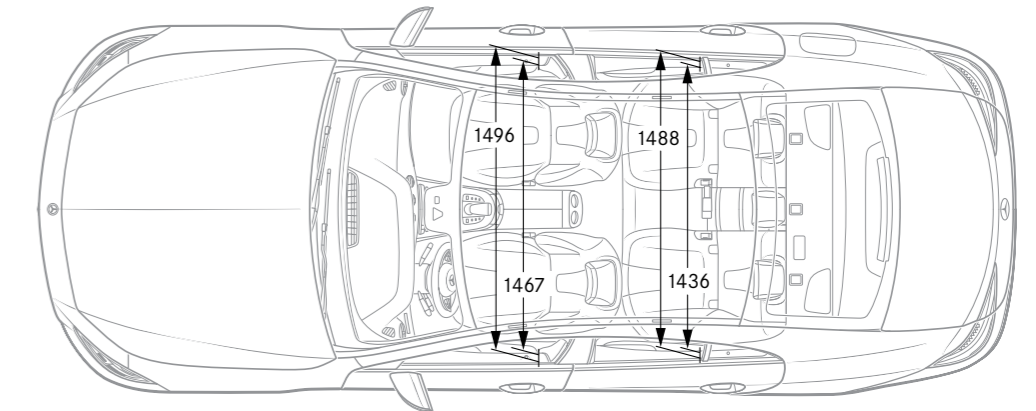
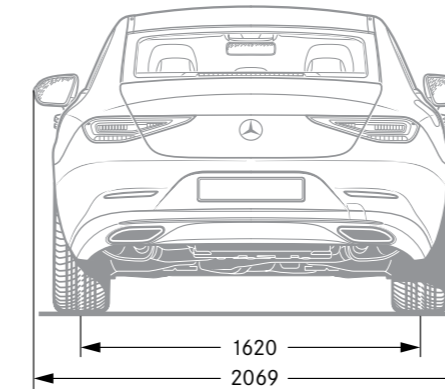
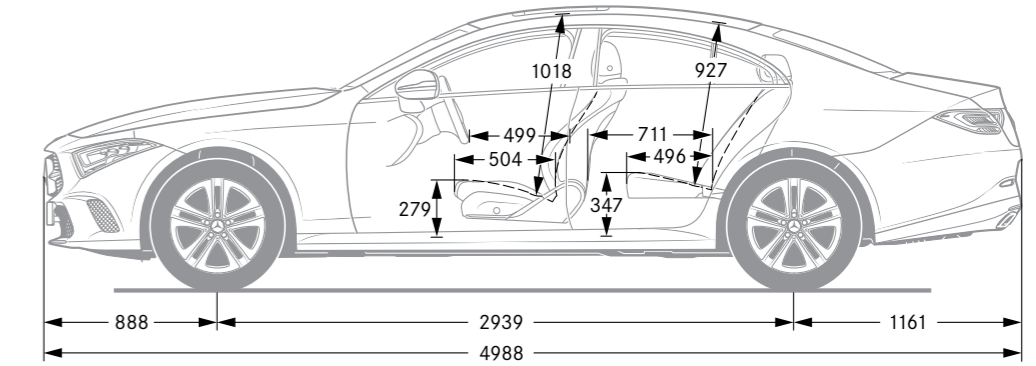
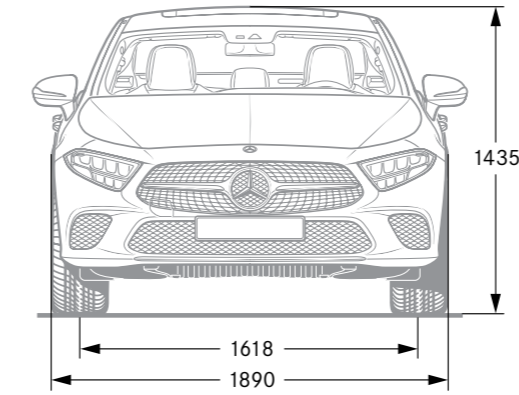
[www.mercedes-amg.com](http://www.mercedes-amg.com)



## Technical data.

|  | All Petrol engines |                |                |
|--|--------------------|----------------|----------------|
|  | CLS 350            | CLS 450 4MATIC | CLS 53 4MATIC+ |
| Displacement (cc)                          | 1,996              | 2,982          | 2,982          |
| Rated output (kW [hp] at rpm)              | 220                | 270            | 320            |
| Acceleration from 0 to 100 km/h (s)        | TBA                | TBA            | TBA            |
| Fuel consumption (l/100 km)                |                    |                |                |
| Urban                                      | TBA                | 11.7           | TBA            |
| Extra-urban                                | TBA                | 6.9            | TBA            |
| Combined                                   | TBA                | 8.7            | TBA            |
| CO <sub>2</sub> emissions, combined (g/km) | TBA                | 197            | TBA            |

## Dimensions.



The declared fuel and energy consumption figures are determined by testing under standardised laboratory conditions to comply with ADR 81/02. Real world fuel consumption is influenced by many additional factors such as fuel quality, individual driving style, load, traffic, and vehicle condition. The declared fuel consumption figure should only be used for the purpose of comparison amongst vehicles. Further technical data may be found at [www.mercedes-benz.com.au](http://www.mercedes-benz.com.au).

All figures in millimetres. The dimensions shown are median values. They are applicable for unladen vehicles in the standard specification.



# SPORT — F O R — GOOD

Mercedes-Benz is one of the founding partners of the “Laureus Sport for Good Foundation”.

Since the foundation was established in 2000, Mercedes-Benz has been supporting and promoting the aims and values of this worldwide non-profit-making programme: to use social sports projects to improve the lives of children and young people who are disadvantaged or suffering from illness. Laureus has become a fundamental element of Mercedes-Benz’s social responsibility. Every new Mercedes is an ambassador embodying these values. In buying a Mercedes you are supporting the “Laureus Sport for Good Foundation”.



TEST DRIVE



RETAILER LOCATOR



DRIVEAWAY PRICING CALCULATOR



CONFIGURATOR



PRODUCT PAGE

**Please note:** changes may have been made to the product since the editorial deadline (26.06.2018). The manufacturer reserves the right to make changes to the design, form, colour and the product specification during the delivery period, provided these changes, while taking into account the interests of the vendor, can be deemed reasonable with respect to the purchaser. Where the vendor or the manufacturer uses symbols or numbers to describe an order or the subject of an order, no rights may be derived solely from these. The illustrations may show accessories and items of optional equipment which are not part of standard specification. This publication is distributed internationally. Information given

regarding statutory regulations, legal requirements and taxation and the consequences thereof applies, however, only to the Federal Republic of Germany at the time of the editorial deadline. For current and more specific information in relation to the regulations and requirements in your own country and their consequences, please contact your nearest authorised Mercedes-Benz Passenger Car Retailer.

[www.mercedes-benz.com.au](http://www.mercedes-benz.com.au)