

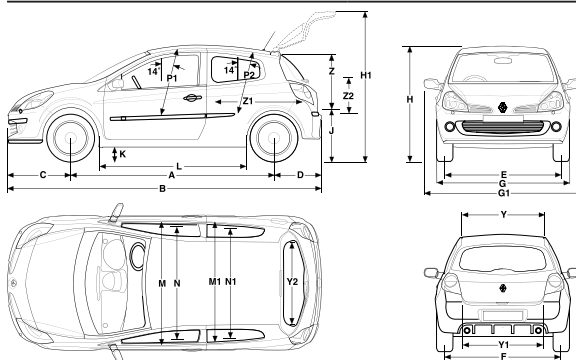


CLIO RENAULT SPORT F1 TEAM R27 IN THE SOUL OF A CLIO BEATS THE HEART OF FORMULA 1

TECHNICAL SPECIFICATIONS

2.0 Petrol MT 3-door	
ENGINE	
Type	Euro 4
Capacity (cc)	1,998
Bore x stroke (mm)	82.7 x 93
Number of cylinders/valves	4 in-line/16
Compression ratio	11.5:1
Max. power (kW)	145
Max. power (rpm)	7,250
Max. torque (Nm)	215
Max. torque (rpm)	5,550
Injection	Multipoint
Fuel	Premium unleaded (98 RON rec.)
TRANSMISSION	
Type	6-speed Manual
Speeds at 1,000rpm in	
1st gear	8.33
2nd gear	13.62
3rd gear	17.88
4th gear	21.99
5th gear	27.36
6th gear	32.77
STEERING	
Type	Variable Electric Power Assist
Turning circle between kerbs/walls (m)	11/11.40
Turns lock-to-lock	2.83
SUSPENSION	
Front suspension	Double-axis strut system
Rear suspension	Torsion beam with programmed deflection – coil springs
Cup Chassis	S
WHEELS AND TYRES	
Wheels (inches)	7.5 J 17
Tyres	215/45 R 17
BRAKING	
Front Braking System	Brembo® 4 piston calipers – Ventilated discs (312mm)
Rear Braking System	Solid discs (300mm)

2.0 Petrol MT 3-door	
PERFORMANCE	
Max. speed (kmph)	223
0 to 100km/h	6.9
FUEL CONSUMPTION[^]	
City (L/100km)	11.6
Highway (L/100km)	6.5
Combined cycle (L/100km)	8.4
CO2 Emissions (g/km) Euro4	199
CAPACITY	
Fuel tank (litres)	55
WEIGHTS	
Kerb weight (kg)	1,221
DIMENSIONS	



A	2,585mm	H1	1,987mm	P2	861mm
B	3,991mm	J	678mm	Y	848mm
C	800mm	K	113mm	Y1	894mm
D	606mm	L	1,677mm	Y2	1,028mm
E	1,520mm	M	1,402mm	Z	652mm
F	1,520mm	M1	1,412mm	Z1	1,306mm
G	1,768mm	N	1,382mm	Z2	541mm
G1	2,025mm	N1	1,362mm		
H	1,477mm	P1	907mm		

VOLUME	
Under rear parcel shelf (litres)	288
Rear seats folded to the roof (litres)	1,038

PRODUCT FEATURES

SAFETY AND SECURITY

Active and Passive Safety Features

ABS with EBD (Electronic Brake Distribution)

Sports-tuned ESP (Electronic Stability Program) with disconnection function

Front, lateral and curtain airbags

Height adjustable three point front seatbelts with integrated pretensioners and load limiters

Three 3-point rear seatbelts with pretensioners on the outer rear seats

Automatic headlights and wipers

Height adjustable headlights

Double optic headlights, front fog lights and "See me home" function headlights

Security Features

Engine immobiliser

Remote central locking and Renault Anti Intruder Device (R.A.I.D)

INTERIOR FEATURES

"Switchblade" Key

Renault Sport Recaro front seats

Height adjustable Renault Sport leather steering wheel with red centreband and leather gear lever

Black centre console with 'soft touch' dashboard and satin chrome detail

Multi function digital display trip computer

4x15w AM/FM stereo with single CD player and fingertip remote control

Climate control air conditioning

Tinted windows

Electric front windows with anti-pinch function and one touch control

Height and lumbar adjustable driver's seat

60:40 split folding rear seat

Drilled aluminium pedals

Bootspace and glovebox light

Interior courtesy light with time delay

Driver and passenger map reading lights

EXTERIOR FEATURES

Cup Chassis:

- Lower ride height (7mm)

- Stiffer springs (+37% at front, +30% at rear)

- Stiffer dampers (+10%)

- Brembo front brakes with red calipers

Renault Sport extended front wings with integrated side air extractors, extended rear wings and sills

Rear air diffuser with twin exhaust outlets

F1 Team decals (front, rear, roof and door)

Signature charcoal 17" alloy wheels

OPTIONS

Victory Yellow paintwork \$1,000

WARRANTY

3 Year/100,000km with 24 Hour Roadside Assistance

COLOURS



369 GLACIER WHITE (SOLID)



NNF TORO RED (SOLID)



J37 VICTORY YELLOW (METALLIC)

It should be noted that printing limitations do not permit the subtle paintwork shades on these pages to be shown with absolute accuracy. Only personal inspection of the Clio R27 at your Renault Dealer will reveal it in its true colours. From time to time changes are made to the colour range. Please check availability with your Renault Dealer.