

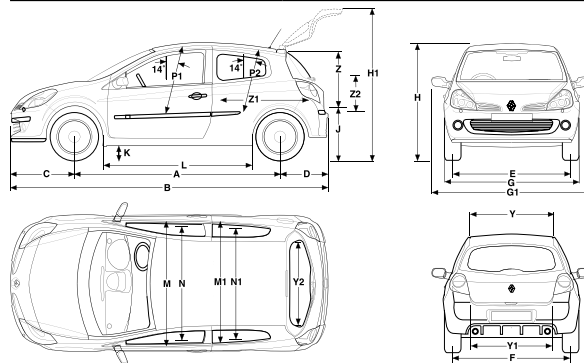


CLIO RENAULT SPORT 197 THE F1 INSPIRED HOT HATCH

TECHNICAL SPECIFICATIONS

		2.0 Petrol MT 3-door
ENGINE		
Type		Euro 4
Capacity (cc)		1,998
Bore x stroke (mm)		82.7 x 93
Number of cylinders/valves		4 in-line/16
Compression ratio		11.5:1
Max. power (kW)		145
Max. power (rpm)		7,250
Max. torque (Nm)		215
Max. torque (rpm)		5,550
Injection		Multipoint
Fuel		Premium unleaded (98 RON rec.)
TRANSMISSION		
Type		6-speed Manual
Speeds at 1000rpm in	1st gear	8.33
	2nd gear	13.62
	3rd gear	17.88
	4th gear	21.99
	5th gear	27.36
	6th gear	32.77
STEERING		
Type		Variable Electric Power Assist
Turning circle between kerbs/walls (m)		11/11.40
Turns lock-to-lock		2.83
SUSPENSION		
Front suspension		Double-axis strut system
Rear suspension		Torsion beam with programmed deflection – coil springs
Front/rear anti-roll bar - dia (mm)		20/30 integrated
WHEELS AND TYRES		
Wheels (inches)		7.5 J 17
Tyres		215/45 R 17
BRAKING		
Front Braking System		Brembo® 4 piston calipers – Ventilated discs (312mm)
Rear Braking System		Solid discs (300mm)

		2.0 Petrol MT 3-door
PERFORMANCE		
Max. speed (kmph)		223
0 to 100km/h		6.9
FUEL CONSUMPTION[^]		
City (L/100km)		11.6
Highway (L/100km)		6.5
Combined cycle (L/100km)		8.4
CO2 Emissions (g/km) Euro4		199
CAPACITY		
Fuel tank (litres)		55
WEIGHTS		
Kerb weight (kg)		1,221
DIMENSIONS		



A	2,585mm	H1	1,994mm	P2	861mm
B	3,991mm	J	678mm	Y	848mm
C	800mm	K	120mm	Y1	894mm
D	606mm	L	1,677mm	Y2	1,028mm
E	1,520mm	M	1,402mm	Z	652mm
F	1,520mm	M1	1,412mm	Z1	1,306mm
G	1,768mm	N	1,382mm	Z2	541mm
G1	2,025mm	N1	1,362mm		
H	1,484mm	P1	907mm		

VOLUME	
Under rear parcel shelf (litres)	288
Rear seats folded to the roof (litres)	1,038

PRODUCT FEATURES

SAFETY AND SECURITY

Active and Passive Safety Features

ABS with EBD (Electronic Brake Distribution)

Sports-tuned ESP (Electronic Stability Program) with disconnection function

Front, lateral and curtain airbags

Anti-submarining airbags

Height adjustable three point front seatbelts with integrated pretensioners and load limiters

Three 3-point rear seatbelts with pretensioners on the outer rear seats

Automatic headlights and wipers

Height adjustable headlights

Double optic headlights, front fog lights and "See me home" function headlights

Security Features

Engine immobiliser

Remote central locking and Renault Anti Intruder Device (R.A.I.D)

INTERIOR FEATURES

Height adjustable Renault Sport leather steering wheel with red centreband and leather gear lever

New generation height adjustable front headrests

Three height adjustable rear headrests with two pre-set positions

Black centre console with 'soft touch' dashboard and satin chrome detail

Multi function trip computer and multifunctional digital display

4x15w stereo with single CD player and fingertip remote control

Climate control air conditioning

Tinted windows

Electric front windows with anti-pinch function and one touch control

Renault Sport seats with Renault Sport embroidery

Height and lumbar adjustable driver's seat

60:40 Split folding rear seat

Drilled aluminium pedals

Bootspace and glovebox light

Interior courtesy light with time delay

Driver and passenger map reading lights

EXTERIOR FEATURES

Renault Sport extended front wings with integrated side air extractors, extended rear wings and sills

Rear air diffuser with twin chrome exhaust outlets

Satin chrome exterior and interior door handles

17" Renault Sport alloy wheels

OPTIONS

Metallic paint \$800

Panoramic sunroof \$1,890

4x40W AM/FM stereo (6 speakers) with 6-CD changer and with fingertip remote control \$800

Xenon headlights and headlight wash \$1,750

Cup Chassis \$2,500

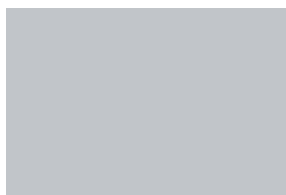
WARRANTY

3 Year/100,000km with 24 Hour Roadside Assistance

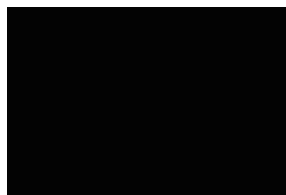
COLOURS



NNF



TORO RED (SOLID) F60



SILVER (METALLIC) GNA



DEEP BLACK (METALLIC) RNC

MONAKO BLUE (METALLIC)

It should be noted that printing limitations do not permit the subtle paintwork shades on these pages to be shown with absolute accuracy. Only personal inspection of the Clio RS 197 at your Renault Dealer will reveal it in its true colours. From time to time changes are made to the colour range. Please check availability with your Renault Dealer.