

Abnormal Chirp or Squeak Noise from High Pressure Fuel Pump

Service Category Engine/Hybrid System

Section Fuel System

Market USA

Scion Supports ASE Certification 

Applicability

YEAR(S)	MODEL(S)	ADDITIONAL INFORMATION
2013 – 2014	FR-S	

REVISION NOTICE

October 17, 2013 Rev2:

- Applicability has been updated to include 2014 model year vehicles.
- Warranty Information and Parts Information sections have been updated.

March 19, 2013 Rev1:

- Production Change Information and Warranty Information have been updated.

Any previous printed versions of this bulletin should be discarded.

Introduction

Some vehicles may exhibit a high pitch chirp or squeak noise from the High Pressure Fuel Pump Assembly when the engine is fully warmed up and idling. Follow the procedure in this bulletin to address this condition.

Production Change Information

This bulletin applies to vehicles produced **BEFORE** the Production Change Effective VIN shown below.

MODEL	PRODUCTION CHANGE EFFECTIVE VIN
Scion FR-S	JF1ZNAA1#E#702951

Abnormal Chirp or Squeak Noise from High Pressure Fuel Pump

Warranty Information

OP CODE	DESCRIPTION	TIME	OPF	T1	T2
EG1305	R & R High Pressure Fuel Pump Assembly	2.5	SU003-00328	91	57

APPLICABLE WARRANTY

- This repair is covered under the Toyota Powertrain Warranty. This warranty is in effect for 60 months or 60,000 miles, whichever occurs first, from the vehicle's in-service date.
- Warranty application is limited to occurrence of the specified condition described in this bulletin.

Parts Information

PART NUMBER		PART NAME	QTY
PREVIOUS	NEW		
SU003-00328	SU003-05176	Pump Assembly, Fuel	1
	SU003-00342	Pipe, Fuel Delivery, No. 2	1
	SU003-00347	Gasket	1
	SU003-00290	Gasket, Intake Manifold to Head, No. 1	2
	SU003-00316	Gasket, Throttle Body	1

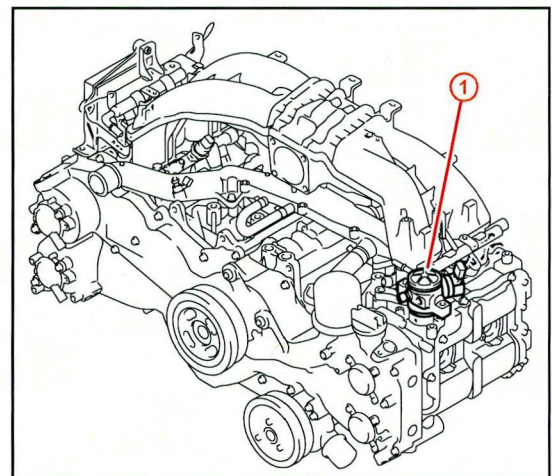
Repair Procedure

1. Road test the vehicle for at least 10 minutes so that the engine is fully warmed up.
2. While the engine is idling, listen for abnormal noise from the High Pressure Fuel Pump Assembly.

NOTE

- A mechanical ticking noise from the High Pressure Fuel Pump Assembly is normal during Direct Injection system operation.
- This bulletin should only be performed if an abnormal high pitch chirp or squeak noise from the High Pressure Fuel Pump is verified.

Figure 1.



1	Fuel Pump Assembly (for High Pressure)
----------	---

Abnormal Chirp or Squeak Noise from High Pressure Fuel Pump

Repair Procedure (Continued)

3. Verify that the condition matches the example video below.

[Chirp Noise Example](#)

Does the vehicle have an abnormal chirp or squeak sound from the High Pressure Fuel Pump Assembly?

- **YES** — Continue to step 4.
 - **NO** — This bulletin does NOT apply. Continue diagnosis using the applicable Repair Manual.
4. Replace the High Pressure Fuel Pump Assembly.

Refer to the Technical Information System (TIS), applicable model year FR-S Repair Manual:

- 2013 FR-S:
*Engine/Hybrid System – Fuel System – “FA20 Fuel: Fuel Pump (for High Pressure):
[Removal / Installation](#)”*
 - 2014 FR-S:
*Engine/Hybrid System – Fuel System – “FA20 Fuel: Fuel Pump (for High Pressure):
[Removal / Installation](#)”*
5. Confirm repair.