



Commercial
Vehicles

The Amarok Range – Specifications



Technical specifications

Amarok Single Cab 4MOTION

Engine	TDI400	TDI420
Type	4 Cylinders, DOHC, 16 Valve	4 Cylinders, DOHC, 16 Valve
Capacity, litres/cc	2.0 / 1,984	2.0 / 1,984
Installation	Longitudinal	Longitudinal
Bore x Stroke / Compression ratio	81.0 x 95.5 / 16.5:1	81.0 x 95.5 / 16.5:1
Construction materials	Alloy head with cast iron block	Alloy head with cast iron block
Maximum power, kW @ rpm	132 @ 4,000	132 @ 4,000
Maximum torque, Nm @ rpm	400 @ 1,500 – 2,250	420 @ 1,750
Induction type	Bi-Turbochargers	Bi-Turbochargers
Emissions standard	Euro 5* with Diesel Particle Filter (DPF)	Euro 5* with Diesel Particle Filter (DPF)
Intercooled	Yes	Yes
Transmission – manual	6 Speed	–
Transmission – automatic	–	8 Speed
Driven wheels	4MOTION – Selectable	4MOTION – Permanent
Wheels and Tyres		
Wheels	Steel 16" x 6.5J	Steel 16" x 6.5J
Tyres	205 R16 C 110/108T	205 R16 C 110/108T
Fuel consumption and performance		
Fuel type	Diesel	Diesel
Fuel system	Common Rail Direct Injection	Common Rail Direct Injection
Fuel tank capacity, litres	80	80
	Comb / Urban / Ex Urban • CO₂	Comb / Urban / Ex Urban • CO₂
Manual, litre/100km • CO ₂	7.7 / 8.9 / 7.0 • 203	–
Automatic, litre/100km • CO ₂	–	8.3 / 10.1 / 7.3 • 219

* Emission level according to European Regulation (EC) No. 715/2007 and Regulation (EC) No. 692/2008. The information and the specifications contained within this document were correct at the time of issue. Due to our continuous process of improvement our products are continually updated and changes may be made to the specifications from time to time. Not all vehicles or options may be available. Check at time of ordering.

Technical specifications

Amarok Dual Cab 2WD

Engine	TDI340	TDI420
Type	4 Cylinders, DOHC, 16 Valve	4 Cylinders, DOHC, 16 Valve
Capacity, litres/cc	2.0 / 1,984	2.0 / 1,984
Installation	Longitudinal	Longitudinal
Bore x Stroke / Compression ratio	81.0 x 95.5 / 16.5:1	81.0 x 95.5 / 16.5:1
Construction materials	Alloy head with cast iron block	Alloy head with cast iron block
Maximum power, kW @ rpm	103 @ 3,500	132 @ 4,000
Maximum torque, Nm @ rpm	340 @ 1,600 – 2,250	420 @ 1,750
Induction type	Single Turbocharger	Bi-Turbochargers
Emissions standard	Euro 5* with Diesel Particle Filter (DPF)	Euro 5* with Diesel Particle Filter (DPF)
Intercooled	Yes	Yes
Transmission – manual	6 Speed	–
Transmission – automatic	–	8 Speed
Rear Wheel Drive	Yes	Yes
Wheels and Tyres		
Wheels	Steel 16" x 6.5J	Steel 16" x 6.5J
Tyres	205 R16	205 R16
Fuel consumption and performance		
Fuel type	Diesel	Diesel
Fuel system	Common Rail Direct Injection	Common Rail Direct Injection
Fuel tank capacity, litres	80	80
	Comb / Urban / Ex Urban • CO₂	Comb / Urban / Ex Urban • CO₂
2WD Manual, Litre/100km • CO ₂	7.5 / 9.1 / 6.2 • 197	–
2WD Automatic, Litre/100km • CO ₂	–	8.2 / 9.8 / 7.4 • 215
Gear ratios	TDI340	TDI420
Final Drive	4.3	3.7
Gear 1:	4.82	4.714
Gear 2:	2.54	3.143
Gear 3:	1.49	2.106
Gear 4:	1	1.667
Gear 5:	0.76	1.285
Gear 6:	0.64	1
Gear 7:		0.839
Gear 8:		0.667
Reverse Gear:	4.37	3.3

* Emission level according to European Regulation (EC) No. 715/2007 and Regulation (EC) No. 692/2008. The information and the specifications contained within this document were correct at the time of issue. Due to our continuous process of improvement our products are continually updated and changes may be made to the specifications from time to time. Not all vehicles or options may be available. Check at time of ordering.

Technical specifications

Amarok Core, Trendline, Highline and Ultimate 4MOTION

Engine	TDI400	TDI420
Type	4 Cylinders, DOHC, 16 Valve	4 Cylinders, DOHC, 16 Valve
Capacity, litres/cc	2.0 / 1,984	2.0 / 1,984
Installation	Longitudinal	Longitudinal
Bore x Stroke / Compression ratio	81.0 x 95.5 / 16.5:1	81.0 x 95.5 / 16.5:1
Construction materials	Alloy head with cast iron block	Alloy head with cast iron block
Maximum power, kW @ rpm	132 @ 4,000	132 @ 4,000
Maximum torque, Nm @ rpm	400 @ 1,500 – 2,250	420 @ 1,750
Induction type	Bi-Turbochargers	Bi-Turbochargers
Emissions standard	Euro 5* with Diesel Particle Filter (DPF)	Euro 5* with Diesel Particle Filter (DPF)
Intercooled	Yes	Yes
Transmission – manual	6 Speed	–
Transmission – automatic	–	8 Speed
Driven wheels	4MOTION – Selectable	4MOTION – Permanent
Wheels and Tyres		
Wheels (Core)	Alloy 16" x 6.5J "Korama"	Alloy 16" x 6.5J "Korama"
Wheels (Trendline/Highline)	Alloy 17" x 8J "Aldo"	Alloy 17" x 8J "Aldo"
Wheels (Ultimate)	Alloy 19" x 8J "Cantera"	Alloy 19" x 8J "Cantera"
Tyres (Core)	245/70 R16	245/70 R16
Tyres (Trendline/Highline)	245/70 R17	245/70 R17
Tyres (Ultimate)	255/55 R19	255/55 R19
Fuel consumption and performance		
Fuel type	Diesel	Diesel
Fuel system	Common Rail Direct Injection	Common Rail Direct Injection
Fuel tank capacity, litres	80	80
	Comb / Urban / Ex Urban • CO₂	Comb / Urban / Ex Urban • CO₂
4MOTION Manual, Litre/100km • CO ₂	7.9 / 9.7 / 7.0 • 209	–
4MOTION Automatic, Litre/100km • CO ₂	–	8.3 / 10.1 / 7.3 • 219
Gear ratios		
	TDI400	TDI420
Final Drive	4.1	3.7
Gear 1:	4.82	4.714
Gear 2:	2.54	3.143
Gear 3:	1.49	2.106
Gear 4:	1	1.667
Gear 5:	0.76	1.285
Gear 6:	0.64	1
Gear 7:		0.839
Gear 8:		0.667
Reverse Gear:	4.37	3.3

* Emission level according to European Regulation (EC) No. 715/2007 and Regulation (EC) No. 692/2008. The information and the specifications contained within this document were correct at the time of issue. Due to our continuous process of improvement our products are continually updated and changes may be made to the specifications from time to time. Not all vehicles or options may be available. Check at time of ordering.

Drivetrain

Suspension and Steering	
Front axle	Transverse link with A-frame arm double wishbone and anti-roll bar
Rear axle	Multi-layer rigid axle with leaf spring and stabiliser bar
Steering	Rack and pinion power steering
Turning circle, m	12.95
Brakes	
Front disc brakes, mm	303 ventilated disc
Rear disc brakes, mm	292 drum brake
Brake systems	ESP, ABS, EBD, EDL, Hill Hold, Brake Assist, Traction Control and Off-Road ABS including Hill Descent

Measurements and statistics

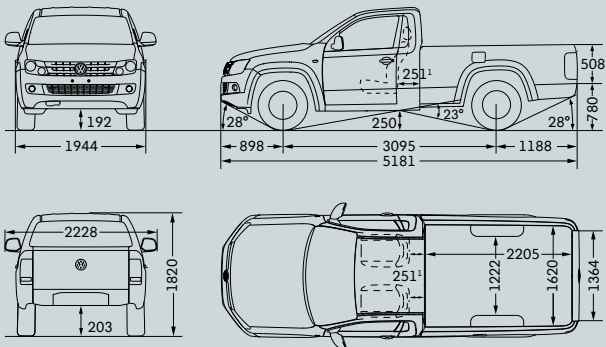
Weights						
GVM, 3,040kg	Standard (Heavy Duty)					
GVM, 2,820kg	Optional for Trendline, Highline and Ultimate (Comfort Suspension)					
Towing capacity, braked/unbraked, kg	3,000/750					
Towing downball load, kg	300					
Amarok Single Cab	TDI400 4WD (Manual)	TDI420 4WD (Auto)				
Unladen Mass ¹ , kg	1,876	1,875				
Payload ² , @ 3,040kg GVM, kg	1,164	1,165				
Amarok Dual Cab	TDI340 2WD (Manual)	TDI420 2WD (Auto)				
Unladen Mass ¹ , kg	1,872	1,908				
Payload ² , @ 3,040kg GVM, kg	1,168	1,132				
Amarok Dual Cab Core	TDI400 4WD (Manual)	TDI420 4WD (Auto)				
Unladen Mass ¹ , kg	1,990	1,989				
Payload ² , @ 3,040kg GVM, kg	1,050	1,051				
	Amarok Trendline Manual TDI400 4WD	Amarok Trendline Auto TDI420 4WD	Amarok Highline Manual TDI400 4WD	Amarok Highline Auto TDI420 4WD	Amarok Ultimate Manual TDI400 4WD	Amarok Ultimate Auto TDI420 4WD
Unladen Mass ¹ , kg	2,035	2,035	2,040	2,040	2,051	2,051
Payload ² , @ 3,040kg GVM, kg	1,005	1,005	1,000	1,000	989	989
Payload ² , @ 2,820kg GVM, kg	806	806	801	801	790	790
Dimensions	Amarok Single Cab	Amarok Dual Cab	Amarok Dual Cab Core	Amarok Trendline, Highline and Ultimate		
Length, mm	5,181	5,181	5,181	5,254		
Width, mm	1,944	1,944	1,944	1,954		
Width, including door mirrors, mm	2,228	2,228	2,228	2,228		
Height, mm	1,820	1,820	1,820	1,820		
Wheelbase, mm	3,095	3,095	3,095	3,095		
Ground clearance, mm	192	230	192	192		
Entry angle	28°	28°	28°	28°		
Departure angle	28°	28°	28°	23.6°		
Ramp angle	21.4°	23°	21.4°	21.4°		
Wading depth, mm	500	500	500	500		

¹The Unladen Mass (UM) includes 10L of fuel, vehicle fluids and no occupants. Figures quoted are for base model vehicles only. ²Payload figures determined by subtracting 'Unladen Mass' (UM) from total 'Gross Vehicle Mass' (GVM). A vehicle's final payload, given the different available configurations, can only be determined by weighing the individual vehicle and comparing to the known GVM. Figures quoted are for base model vehicles only.

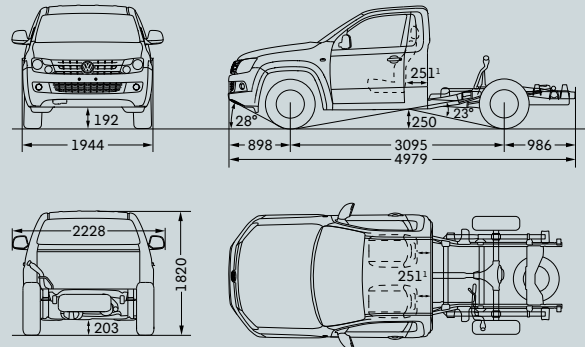
Measurements and statistics

Cargo area	Amarok Single Cab	Amarok Dual Cab 2WD and Core	Amarok Trendline, Highline and Ultimate
Rear tailgate width, mm	1,364	1,364	1,364
Rear tailgate height, mm	508	508	508
Load area, m ²	3.57	2.52	2.52
Tie down points	6	4	4
Length, mm	2,205	1,555	1,555
Width at widest point, mm	1,620	1,620	1,620
Width at wheel arches, mm	1,222	1,222	1,222
Height from ground, mm	780	780	780
Warranty and service			
Vehicle	3 Year, Unlimited km		
Paint / Corrosion	3 Years / 6 Years		
Road side assistance	3 Years, Unlimited km		

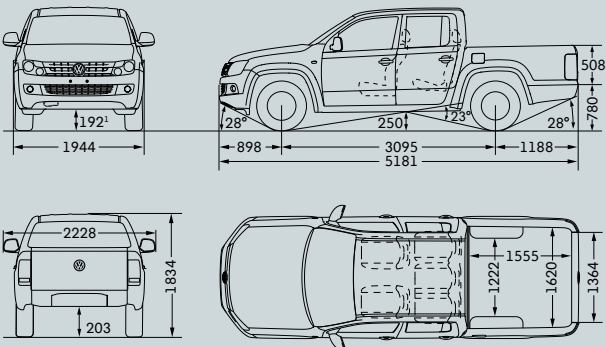
Amarok Single Cab



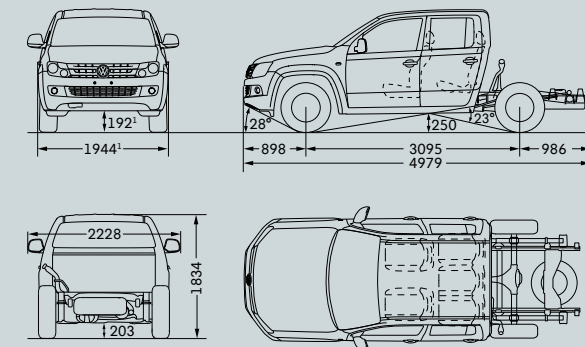
Amarok Single Cab Chassis



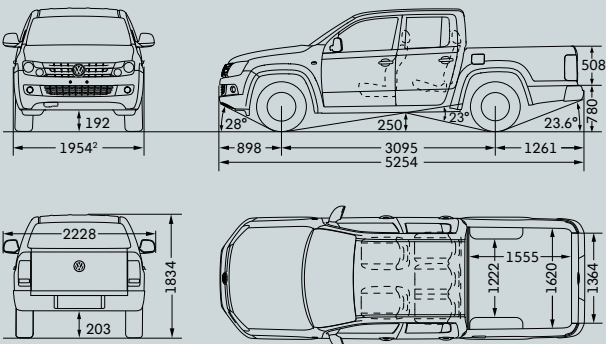
Amarok Dual Cab 2WD, Core¹



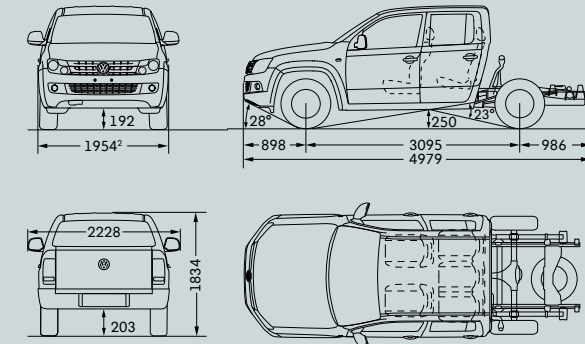
Amarok Dual Cab 2WD, Core Chassis¹



Amarok Dual Cab – Trendline, Highline and Ultimate



Amarok Dual Cab Trendline Chassis



¹ Body width including wheel arch flares. ² 4MOTION models have 192mm minimum ground clearance / 2WD models have 230mm minimum ground clearance.

Standard and optional equipment

	Single Cab 4MOTION	Dual Cab 2WD	Dual Cab Core	Dual Cab Trendline	Dual Cab Highline	Dual Cab Ultimate
Safety and security						
Airbag for driver and front seat passenger	S	S	S	S	S	S
Front side head/thorax airbag	S	S	S	S	S	S
Electronic Stability Programme (ESP) with Brake Assist, ABS (incl. off-road ABS, ASR and EDL)	S	S	S	S	S	S
Active Roll-over Prevention	S	S	S	S	S	S
Trailer Sway Stability Control (only with genuine towbar wiring kit)	S	S	S	S	S	S
Electronic engine immobiliser	S	S	S	S	S	S
Remote central locking	S	S	S	S	S	S
Front height adjustable 3-point seat belt with pre-tensioners	S	S	S	S	S	S
Child restraint anchor points (3 in second row of seats)	–	S	S	S	S	S
Alarm with back-up horn	–	–	–	–	S	S
Seat belt warning (driver's seat)	S	S	S	S	S	S
Daytime running lights	S	S	S	S	S	S
Lockable rear tailgate with "comfort" closing	–	–	–	S	S	S
Driver assist						
Park distance control – rear	O	O	O	–	–	–
Park distance control – front and rear	–	–	–	S	S	S
Rear View Camera	–	–	–	O	S	S
Light and sight (automatic headlights and rain-sensing wipers)	O	O	O	O	S	S
Audio and media						
RCD320 Radio CD Player, SD card reader, Aux-in socket, USB input (ipod compatibility) with 4 speakers.	S	–	–	–	–	–
RCD320 Radio CD Player, SD card reader, Aux-in socket, USB input (ipod compatibility) with 6 speakers	–	S	S	S	–	–
RNS315 Satellite Navigation / Multimedia 5" touch screen, SD card reader, Aux-in socket. Also includes AM/FM radio with RDS and single CD player.	–	–	–	O	S	S
Leather multifunction steering wheel with controls for audio and phone and multifunction display	S	S	S	S	S	S
Bluetooth™ connectivity, including audio streaming and hands-free phone operation	S	S	S	S	S	S
Exterior						
Metallic paint	O	O	O	O	O	O
Pearl effect paint	O	O	O	O	O	O
Stainless steel sports bar	A	A	A	A	S	S
Stainless steel side steps	A	A	A	A	S	S
Underbody Design Element – front	–	–	–	A	A	S
Front fog lights (with cornering function for Ultimate)	–	–	–	S	S	S
Rear fog lights (not for chassis model)	S	S	S	S	S	S
High level brake light and cargo area lighting	S	S	S	S	S	S
Front and rear mud flaps	S ¹	S ¹	S ¹	S ¹	S	S
Engine and transmission protection	S	–	S	S	S	S
Rear bumper with integrated step	O	O	O	S	S	S
Body coloured front bumpers	S	S	S	S	S	S
Body coloured mirrors and door handles	–	–	–	S	S	S
Chrome rear bumper with integrated step	–	–	–	–	S	S
Chrome highlights on mirrors, front and rear bumpers and grille	–	–	–	–	S	S

¹For chassis version, the rear mudflaps are not fitted.

The Bluetooth™ word mark is owned by The Bluetooth SIG, Inc. Not all devices will be compatible and functionality will vary depending on the device.

Standard and optional equipment

	Single Cab 4MOTION	Dual Cab 2WD	Dual Cab Core	Dual Cab Trendline	Dual Cab Highline	Dual Cab Ultimate
Exterior						
Lashing Rings in tray for load restraint	S-6	S-4	S-4	S-4	S-4	S-4
Ladder Frame Chassis in high strength steel	S	S	S	S	S	S
Cab Chassis model (without rear tray)	O	O	O	O	–	–
Wheels and tyres						
16" x 6.5J Steel Wheels with 205 R16C	S	S	–	–	–	–
16" x 6.5J Alloy wheels "Korama" with 245/70 R16 tyres	O	O	S	–	–	–
16" AT-R (Pirelli) Tyre (245/70 R16)	O	–	S	–	–	–
17" x 8.0J Alloy wheels "Aldo" with 245/65 R17 tyres	–	–	–	S	S	–
18" x 7.5J Alloy wheels "Durban" with 255/60 R18 tyres	–	–	–	O	O	–
19" x 8.0J Alloy wheels "Cantera" with 255/55 R19 tyres	–	–	–	–	–	S
Extended wheel arches (with 17", 18" or 19" Alloy wheels)	–	–	–	S	S	S
Full size spare wheel - Steel	S	S	S	–	–	–
Full size spare wheel - Alloy	–	–	–	S	S	S
Seats						
Cloth seats	S	S	S	S	S	–
Interior trim – "Austin"	S	S	S	–	–	–
Interior trim – "Trail"	–	–	–	S	–	–
Interior trim – "Endless" Black cloth	–	–	–	–	S	–
Interior trim – "Vienna" Leather appointed*	–	–	–	–	O	S
Interior trim – "Vienna" Mendoza Leather appointed*	–	–	–	–	O	O
Leather appointed trim with seat heaters for driver and front passenger*	–	–	–	–	O	S
Alcantara appointed seats with carbon-look bolster finish, including seat heaters for driver and front passenger	–	–	–	–	O	O
Folding rear bench seat – backrest forwards and seat base upward with fastening strap	–	S	S	S	S	S
Headrests for rear bench seats (3)	–	S	S	S	S	S
Driver and front passenger seat with height adjustment	S	S	S	S	S	S
Windows and doors						
Driver and passenger with one-touch up/down	S	S	S	S	S	S
Front and rear electric windows with roll-back function	S (front only)	S	S	S	S	S
Heat insulating (green) glass	S	S	S	S	S	S
Privacy glass – rear	–	–	–	–	S	S
Air conditioning						
Climatic air-conditioning	S	S	S	S	–	–
Climatronic air-conditioning dual-zone	–	–	–	–	S	S
Interior						
Interior light – door operated	S	S	S	S	S	S
Interior light in rear	–	–	–	S	S	S
Map lights	S	S	S	S	S	S
Rubber floor covering in cab	S	S	S	–	–	–
Carpet floor covering in cab	–	–	–	S	S	S
Tailored carpet mats	–	–	A	A	A	S
Tailored rubber mats	A	A	A	A	A	A
Storage under front seats	–	–	–	S	S	S

* Some parts of the leather appointed seat upholstery will contain man made material.

Standard and optional equipment

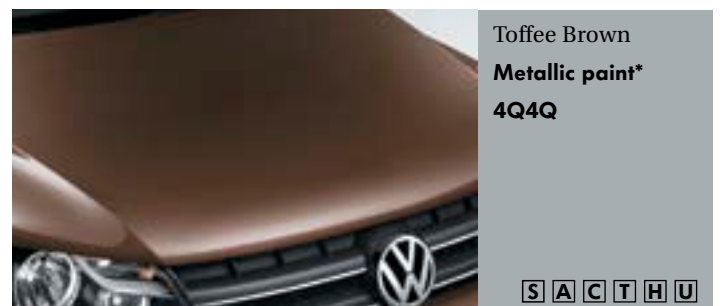
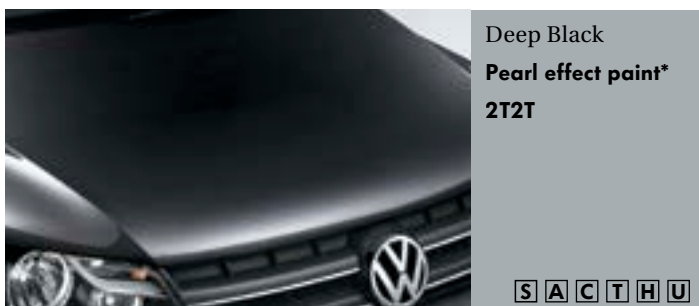
Interior	Single Cab 4MOTION	Dual Cab 2WD	Dual Cab Core	Dual Cab Trendline	Dual Cab Hghline	Dual Cab Ultimate
Centre console with cover and armrest	S	S	S	S	S	S
Leather gearshift knob and handbrake lever	S	S	S	S	S	S
Locking glove compartment	S	S	S	S	S	S
1 x 12V socket – centre console	S	S	S	–	–	–
3 x 12V sockets – dashboard, centre console and in cargo area	–	–	–	S	S	S
Interior grab handles roof line/B-pillar/A-pillar	2/0/1	4/0/1	4/0/1	4/2/1	4/2/1	4/2/1
Comfort						
Electrically adjustable door mirrors with heating function	S	S	S	S	S	S
Cruise control with multifunction display	S	S	S	S	S	S
Instrumentation						
Speedometer and tachometer, electronic odometer and trip meter, digital clock, fuel and coolant indicators, low fuel warning light and fuel gauge.	S	S	S	S	S	S
Multifunction display showing digital speed reading, range to empty, instant litres/100km and average litres/100km plus outside temperature	S	S	S	S	S	S
Mechanical						
Electronic differential lock	S	S	S	S	S	S
Mechanical rear differential lock	S	O	S	S	S	S
8-speed Automatic Transmission	O	O	O	O	O	O
Selectable 4MOTION Transmission (Standard with Manual)	S	–	S	S	S	S
Permanent 4MOTION Transmission (Standard with Auto)	(w. Auto)	–	(w. Auto)	(w. Auto)	(w. Auto)	(w. Auto)

S = Standard – = Not Available O = Optional A = Accessory

Chassis models may vary in equipment due to the deletion of rear tray, lights and other associated equipment.

Paint colours

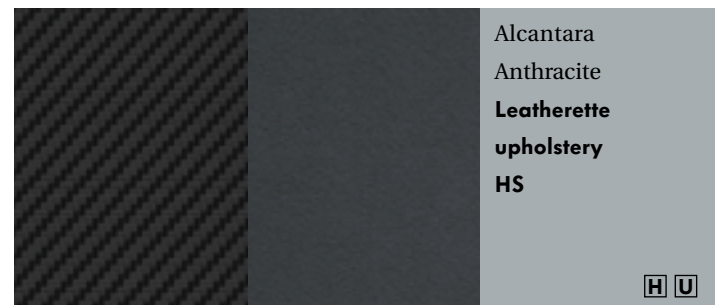
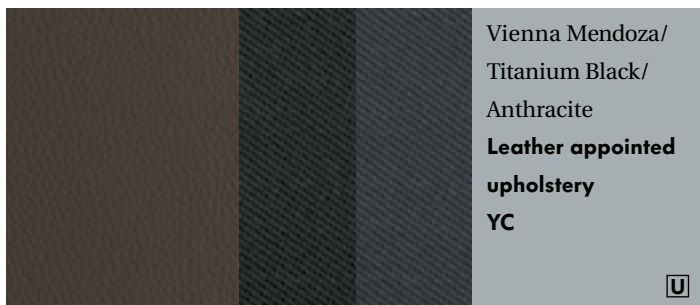
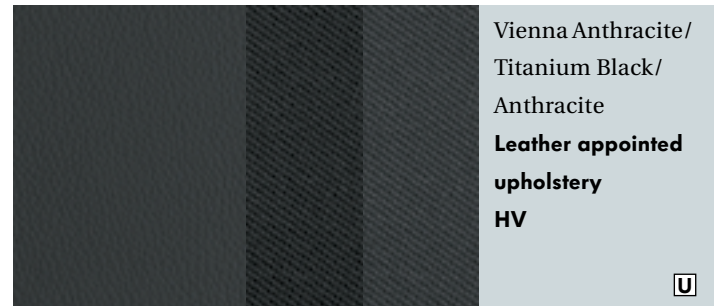
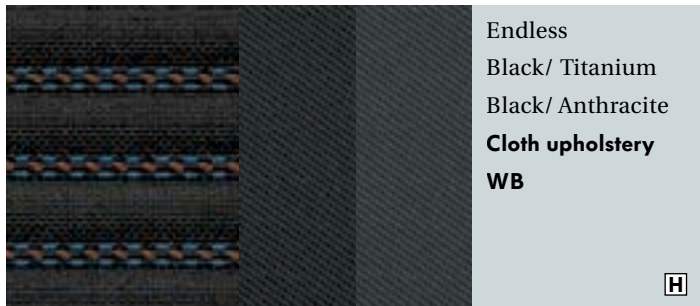
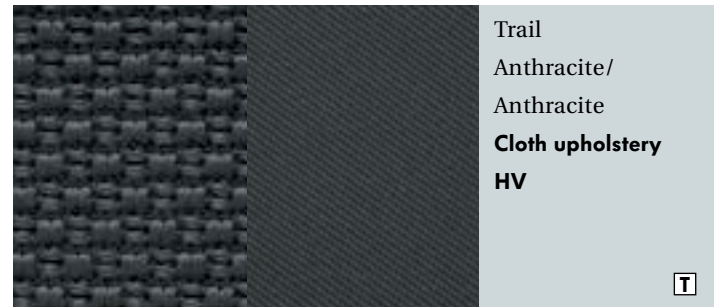
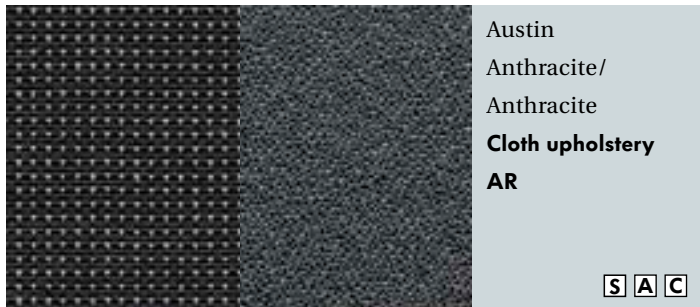
The bodywork is galvanised first to give your Volkswagen optimum protection against mechanical and chemical influences. Only then is the paint applied in several layers and left to harden. The result is a scratch-resistant, hard finish for the top coat.



standard
 S Amarok Single Cab
 C Amarok Core
 H Highline
 option or accessory
 A Amarok
 T Trendline
 U Ultimate

Trim

High-quality, robust materials and skilled workmanship are essential in the manufacture of hard-wearing seat upholstery. The colours and patterns for the upholstery are painstakingly matched to the interior trim and paint finishes.



*Metallic paint and pearl effect paint are available at extra cost. The illustrations on these pages can only be regarded as a general guide as the printing process cannot render the colours with absolute accuracy. Please contact your local Volkswagen dealer for details of the standard equipment and optional extras available.

Owning a Volkswagen

Volkswagen New Vehicle Warranty

Volkswagen Amarok is covered by a 3-year/ unlimited kilometre manufacturer's warranty, which includes Volkswagen Assist (24hr roadside assistance). Amarok is also covered by a 3-year paintwork and 6-year anti-corrosion perforation warranty.

Volkswagen Assist 24 hour roadside assistance

As a valued customer, you can be assured that, wherever you travel within Australia, you will have access to roadside assistance, 24 hours a day, 365 days a year. This is complimentary for the duration of the vehicle's original Volkswagen warranty period. You will receive help in the event of a breakdown or accident and, if required, your vehicle will be mobilised or transported to an Authorised Volkswagen Repair Centre.

Volkswagen Extended Warranty

Why not continue the confidence of a Volkswagen Warranty by purchasing a Volkswagen Extended Warranty? For further details on this option, please contact your local Volkswagen Dealer.

Volkswagen Service

Your Authorised Volkswagen Service Centre is part of Volkswagen's global Quality Management System, ensuring

all dealers are certified to ISO 9001:2000 – an internationally recognised Quality Standard. Authorised Volkswagen Service Centres have factory trained technicians equipped with the very latest diagnostic equipment, specialist tooling and Volkswagen Genuine Parts. An Authorised Volkswagen Service Centre undertakes work in accordance with factory specified guidelines and maintenance schedules.

The new Volkswagen Service app is available to download from the Apple App Store and Google Play™ store app. Featuring parking place reminder and timer, Volkswagen roadside assistance, Volkswagen dealer search and the latest tips for services, Genuine Parts and Accessories. Keeps your Volkswagen running like a Volkswagen.

Volkswagen Genuine Parts®

Volkswagen Genuine Parts® are designed for your vehicle and approved by Volkswagen, with particular regard to safety. The workmanship, dimensional accuracy and materials used in these parts comply with factory specifications. To ensure safety and reliability, Volkswagen recommends the use of Volkswagen Genuine Parts®.

Volkswagen Authorised Dealers offer a 2-year warranty on Genuine Parts from the date of purchase.

Capped Price Servicing

Volkswagen Commercial Vehicles have introduced Capped Price Servicing across the entire Commercial Vehicle Range. This new program supports our commitment to customer satisfaction and provides total transparency for complete peace of mind.

All vehicles registered after 1 January 2013 will be covered for a total of 90,000km (or 180,000km for Crafter models) or six years (whichever comes first). Our scheduled service includes the regular replacement of oil filters, engine oil and sump plug washer at each service interval, as well as the standard replacement of the air filter (at 45,000 and 90,000km) and spark plugs (every 60,000km).

To reference how much each service will cost for your specific Volkswagen Commercial Vehicle, you can contact your local dealer or go to www.volkswagen-commercial.com.au



Scan here to download the Volkswagen Service App on your smartphone.

Environment

On a local level, we have undertaken a number of initiatives to reduce the environmental impact of our business processes, including careful recycling of office waste, for example. Energy usage is being reduced through lights controlled by motion sensors in toilets, kitchens and meeting rooms.

But there's no question that the area in which we can contribute most to environmental sustainability is with our vehicles. Our TDI diesel engines consume less fuel and emit less exhaust fumes offering high torque and performance, while our diesel particulate filters extract soot from the exhaust fumes. Numerous

engines already fulfill the very stringent Euro 5 norm.

Apple and iPhone are trademarks of Apple Inc., registered in the U.S. and other countries. App Store is a service mark of Apple Inc. Google Play is a trademark of Google Inc.

Volkswagen is distributed in Australia by Volkswagen Group Australia Pty Ltd, 24 Muir Road, Chullora, NSW, 2190. ABN 14 093 117 876. Specifications are as planned at December 2014 for MY15 and are subject to change without notice or obligation. The colours shown in the brochure are indicative only and may vary from actual items due to the printing process. Vehicles are shown for illustrative purposes only and may not depict final Australian specification, which should be confirmed with your Volkswagen Commercial Vehicles dealer. Fuel consumption figures are according to Australian Design Rules (ADR) 81/02 unless otherwise stated. The information and the specifications contained within this document were correct at the time of issue. Due to our continuous process of improvement our products are continually updated and changes may be made to the specifications from time to time. Not all vehicles or options may be available. Check at time of ordering.

The Amarok Range

Model Year 2015

December 2015

Publication: VGAAMA01MY15

www.volkswagen-commercial.com.au

Your Volkswagen Dealer

