

VOLVO C70

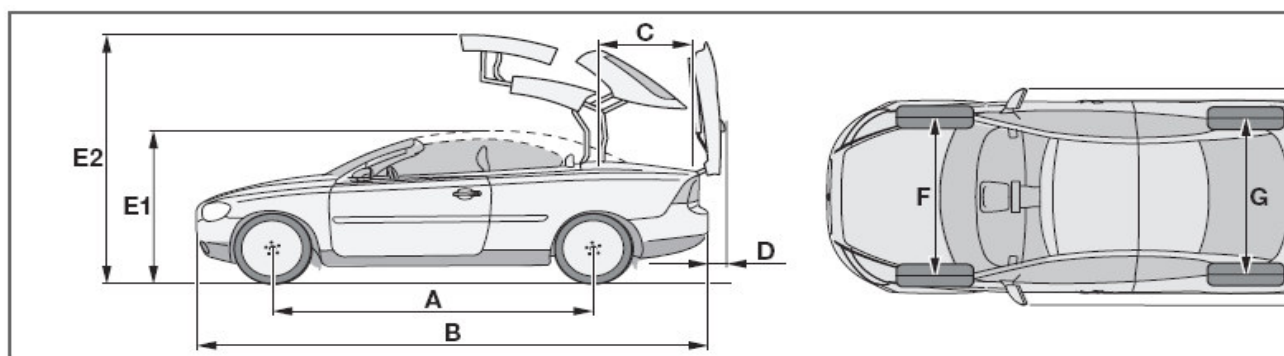
2.4i, T5

Specifications

C70		2.4i S	T5
PRICED FROM			
	AU\$	\$59,990 Manufacturer List Price	\$69,990 Manufacturer List Price
ENGINE			
Engine Management System	-	Five-cylinder, 20 valve DOHC petrol engine. Continual Variable Valve Timing on inlet side.	Five-cylinder, 20 valve DOHC turbocharged petrol engine. Continual Variable Valve Timing on inlet and exhaust side.
Displacement	cc	2435	2521
Bore / Stroke	mm	83/90	83/93.2
Max. Output	kW	125	169
At engine speed	rpm	6000	5000
Max. Torque	Nm	230	320
At engine speed	rpm	4400	1500-5000
Compression ratio	:1	10,3:1	9,0:1
Fuel grade	RON	91-98	91-98
PERFORMANCE			
Location	-	Front transverse	Front transverse
Drive	-	FWD	FWD
Acceleration 0-100km/h (man/auto)	sec	9.1/10	7.6/8.0
Top speed (man/auto)	km/h	220/215	240/235
Fuel consumption, combined (man/auto)	L/100km	9/9.6	9.1/9.8
CO ₂ Emission, combined (man/auto)	g/km	215/229	217/234
TRANSMISSION			
Manual	-	Five-speed manual	Six-speed manual
Automatic	-	Five-speed Geartronic automatic	Five-speed Geartronic automatic
STEERING			
System	-	Electro-hydraulic	Electro-hydraulic
Turns to lock	-	2.58	2.58
BRAKES - Power assisted			
Front ventilated disc brakes, rear solid disc brakes with Anti-lock Brake System (ABS) and Electronic Brake Distribution (EBD)			
CHASSIS			
	-	Coilover strut front suspension	Coilover strut front suspension
	-	Anti-dive anti-lift function	Anti-dive anti-lift function
	-	Multi-link independent rear suspension	Multi-link independent rear suspension
	-	Anti-roll bars front and rear	Anti-roll bars front and rear
	-	Dynamic Stability and Traction Control (DSTC)	Dynamic Stability and Traction Control (DSTC)

BODY

No. of doors/seats	-	2 / 4	2 / 4
Length / width (Incl. mirrors, outer edge) / height (at curb weight, incl. shark fin)	mm	4615 / 2025 / 1400	4615 / 2025 / 1400
Wheelbase	mm	2640	2640
Turning circle	m	11.8	11.8
Luggage area volume ISO V210 (roof open / roof closed)	litres	200 / 404	200 / 404
Fuel tank capacity	litres	62	62
kerb weight (man / auto)	kg	1629 / 1653	1664 / 1679
Maximum trailer weight (braked)	kg	1500	1500
Max roof load	kg	0	0
Drag coefficient	Cd	0.31	0,31



Position i bild	Mått	mm
A	Hjulbas	2640
B	Längd	4582
C	Lastlängd	850
D	Bagagelucka, uppfälld	ca 200
E1	Höjd	1400
E2	Höjd	ca 2000
F	Spårvidd fram	1550
G	Spårvidd bak	1560
H	Bredd	1836
I	Bredd inkl. backspeglar	2025