



GRANCABRIO



MASERATI

EXCELLENCE THROUGH PASSION

GRANCABRIO, BY MASERATI
Experience more



UNIQUE SENSATIONS	2
THE POWER OF BEAUTY	6
BEYOND COMFORT	14
UNRIVALLED TECHNOLOGY	22
FEEL PROTECTED	36
INTERIOR HARMONY	42
THE ENTIRE MASERATI WORLD	62



UNIQUE **SENSATIONS**

Italian craftsmanship in every bespoke detail
and refinement – a 95 year old tradition.





For as long as the marque has existed, Maserati has been renowned for producing masterpieces of style, sophistication and unparalleled refinement - models that have become synonymous with power, performance and uninhibited enjoyment thanks to the company's continual quest for perfection in every last detail. The company's mission is, and always has been, to deliver the unique Maserati motoring experience to the world's most discerning drivers.

This is the tradition that Maserati celebrates in the GranCabrio, its latest model and its first four-seater convertible. Destined to be forever a rare and impressive sight, the GranCabrio is a luxury four seater with sleek and seductive lines – the epitome of elegance that announces itself with the unmistakable growl of a mighty V8 engine and the glint of its celebrated Trident badge. An almost infinite range of colours, trims, and custom options make each and every car the unique expression of its owner's highly individual personality.

To drive or be driven in a Maserati GranCabrio is a feast for the senses: its looks are simply stunning, its sound is unforgettable, every surface is exquisite to the touch, and even its aroma arouses sensations of opulence and luxury. The GranCabrio is the summation of Maserati's long cherished values: immense power, inspirational handling, and all-enveloping luxury, so that every journey becomes unforgettable – and one you would like to last forever.

Maserati



*THE POWER
OF **BEAUTY***

Purity of form, purity of purpose.



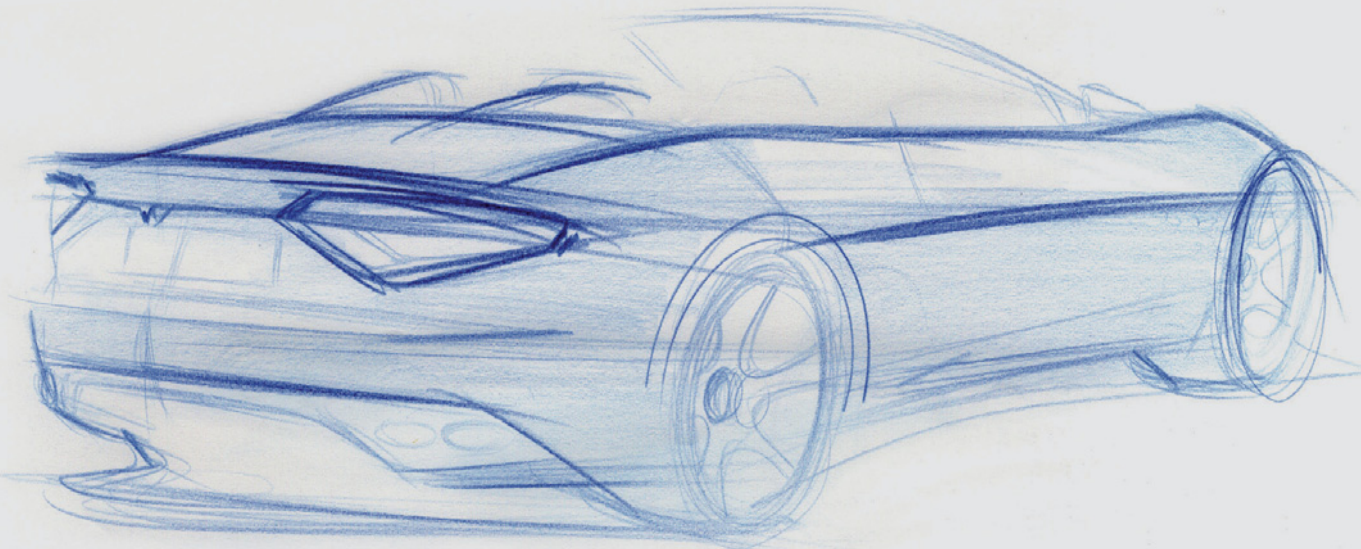
Another Pininfarina *masterpiece*

The Maserati GranCabrio bears the unmistakable signature of Pininfarina: its striking headlights extend horizontally and blend perfectly into the contours of the nose section, whilst the centrepiece of the grille is Maserati's prestigious Trident symbol in chrome.

The dynamism of the front profile is accentuated by the reduced front overhang, as well as by the long bonnet; three chromed air intakes then adorn the front wings in classic Maserati style. The side panels are embellished with eye-catching chrome detailing at the top; this is echoed at the bottom with specially sculpted farrings that also pick up the light with dramatic effect. The gorgeous profile is then finished off in style with the car's impressive 20" alloy wheels.

The rear end of the Maserati GranCabrio emphasises its sporty, high-tech character: the triangular taillights use 96 LEDs to ensure maximum night-time visibility, whilst the wide, aerodynamic rear valence is framed at the sides by two pairs of large diameter chrome tailpipes.

With the roof closed, the car has an elegant and beautifully proportioned profile.



Then one touch on the control button opens the roof, and puts on show all its sinuous, feline beauty in just 28 seconds. The exterior is muscular, with a natural fluidity that starts at the impressive front grille and continues all the way back to the rear lights; the large wheels then fit tightly into the wide wheelarches, creating a powerful statement about the car's performance potential.

The Maserati GranCabrio is a genuine four seater that allows all four occupants to enjoy the experience of driving with the top down. The individual rear seats, which are shaped like the front seats, provide a snug and comfortable personal environment. It is, without question, a car like no other.



The soft top: a vital stylistic component



The GranCabrio's magical chemistry starts when you look at it: it is stunningly beautiful, with the soft top up or down. It features a sophisticated canvas top, that also allows for a vast range of roof and bodywork colour combinations. Furthermore, the soft-top weighs a mere 65 kgs, thus minimizing any affect on the car's dynamics.

The roof's frame is composed of five steel and aluminium spokes, which support the high quality fabric. It also has an integrated thermal glass rear window which makes the car as pleasurable to drive in winter as it is in summer.

For the ultimate in durability and reliability, the soft top system has been subjected to numerous, extremely stringent tests in some of the most remote and challenging areas of the world - consequently the canopy is composed of a triple-layer fabric. This is available in six external colours: black, blue, and Burgundy (an elegant maroon), chocolate, titanium grey and Java (classic beige).

Three colours are available for the interior of the canopy: black, beige and Beluga grey.



During the hottest days of the year, getting into the car is made more bearable by means of its 'Summer Opening' feature – an electro-mechanical opening system.



When the key is inserted into the driver's door lock and turned clockwise for more than two seconds, the top starts to raise and fold away. This means that the top is down when you get into the car, and the heat inside has already been released.

The same system can be used to close the top - by turning the key counter-clockwise.



Should you encounter a sudden downpour when driving, there is no need to stop. Just slow down to 18 mph or below and hold the close button down for a few seconds: the roof then closes, and you and your passengers are protected from the rain and wind.



BEYOND
COMFORT

Being at one with the landscape makes travel a pure delight.



Everyday enjoyment

Designed for four adults.

The designers of the Maserati GranCabrio equipped it with seats that are the last word in terms of comfort and relaxation, especially those for the rear passengers, who often face uncomfortable compromises in four seat cabriolets.

Rear seats

The rear passengers will feel the difference as soon as they get in: two small lamps located under the rear side armrests illuminate when the doors are opened, lighting up the rear seats as a gesture of welcome. Both occupants in the rear have an individual seat with the same sporting profile as the front ones, so two adults can be seated in complete comfort.

The rear seat passengers enjoy the same levels of accommodation as those in the front. There are two cup-holders like those up front, and an oddments receptacle located on the central tunnel - this is just one of many such storage compartments.

Once the occupants are in their seats, they do not find themselves in the cramped upright posture that is typical of most competitors' rear seats, but in a rather more relaxed, laid back position.



Front Seats

Both front seats can be adjusted electrically, with adjustable lumbar support for the driver. The comfort package includes seat position memories, and a three-temperature seat heating system. An electrically adjustable steering column with an Easy Entry/Exit function is available as an optional extra – this automatically raises and lowers the steering column when the door is opened, to help the driver get in and out.

The contours of the seats and the seatbacks in particular are both sporty and enveloping, having been designed to support the torso and legs comfortably and securely during high speed cornering.

Thanks to the Easy Entry system on both the driver and passenger sides, the front seats move forward electrically to give easy access to the rear seats.

The driver then has the tactile pleasure of grasping the three-spoked, leather covered steering wheel – satisfyingly small at just 375 mm in diameter, and with a specially designed, ergonomic grip.



Daily usability

Equipment

Windstop

When driving alone or with just one passenger and the roof down, the Maserati GranCabrio can be enjoyed even more when the Windstop is in place – a device that has been specially developed for the car. The Windstop, a product of wind tunnel testing, reduces the amount of air entering the compartment, thus minimising the normal amount of noise and buffeting. The Windstop decreases the air flow from the rear by 70%, whilst the air speed inside the compartment is reduced by 50%.

When the car has four occupants, the Windstop can be stored in its special bag.

The bag stows away in the luggage compartment*.

*The Windstop then takes the place of the spare wheel, which can no longer be carried.

Climate control system

The automatic dual-zone climate control system maintains ideal conditions inside the cabin by automatically adjusting the temperature and the intensity of the ventilation in relation to the outdoor temperature, sunlight intensity and air humidity.

The fully electronic unit allows the driver and passenger to set their own preferred temperature separately, between a minimum of 16°C and a maximum of 32°C.

Two vents on the central tunnel behind the front seats then direct the air to those in the rear, maintaining the ideal climate there, too.

Maserati Multi Media System

The Maserati Multi Media System operates the car radio, CD player, satellite navigation system, phone and on-board computer via a seven inch display monitor. The heart of the system is a 30 Gb hard drive which can store up to 180 hours of music either copied directly from CDs or downloaded from an MP3 player via the USB socket in the passenger glove compartment.



The simple and intuitive controls are in the centre of the dashboard but the main functions can also be controlled via buttons on the steering wheel. As an additional safety feature, the audio system, satellite navigation and phone can all be operated via voice commands. Traffic information and text messages can be played back by a voice synthesis system, which eliminates the risk of the driver being distracted by the display.

The Maserati GranCabrio can also be equipped with an optional iPod socket that allows track information to be displayed on the display in the centre of the dashboard.

Bose® Surround Sound System

With twelve high quality speakers perfectly integrated into the car's interior, the Maserati GranCabrio development team and acoustic engineers from Bose® have created a sound system capable of satisfying even the most demanding audiophiles. The woofers – low frequency loudspeakers - are both powerful and precise, whilst the higher frequencies, which are generally most compromised in a moving car, are crystal clear, thanks to the superior mid-range and tweeter speakers. A highly effective AudioPilot system maintains the volume and sound quality by automatically compensating for changes in engine note, noise transmitted from the tarmac, and even the challenges of top-down driving conditions. With the Bose® Surround Sound System, the GranCabrio can deliver concert hall-like acoustics.

Other equipment

The Maserati GranCabrio can be specified with a wide range of optional high-tech equipment, designed to make driving safer and even more comfortable.

- Electrically-operated, electrochromic door mirrors, which darken progressively as the intensity of the light from behind increases, thus preventing dazzling (this is standard on the interior rearview mirror).
- Garage remote control: this allows up to three frequencies of three remote controls to be transferred directly to the car's onboard system, which is located on the driver's sun visor.
- Tyre pressure monitoring sensors (TPMS): continuously monitors tyre pressures while driving. The system displays the individual tyre pressures on the on-board panel and alerts the driver if they fall below the minimum levels or in the event of a puncture.



Accessories



Luggage

The Maserati GranCabrio is accompanied by the launch of a new set of luggage, available in leather and leather/fabric combinations. The set is available in classic blue and black, and also red, Testa di Moro, beige and a seasonal colour scheme which will change from year to year in line with the latest fashion trends.

The basic set comprises a man's wheeled suitcase, woman's wheeled suitcase, man's accessories case and woman's beauty case. There is also a case designed to be loaded onto the rear seats and held in place by straps.



Luggage straps

Maserati has developed luggage straps in a special fabric with customised black leather detailing. These enable the rear seats to be used for safely storing objects and luggage up to ten kilos in weight, and are an optional extra.

Ashtray

In order to make best use of the available space in the car's interior, Maserati has created an ashtray which fits in one of the four cup holders. It has a beautifully machined natural aluminium body and a polished lip to fit in perfectly with the chrome-plating of the controls around it.



UNRIVALLED TECHNOLOGY

Sophisticated engineering, handling to satisfy the most demanding driver, and the highest levels of safety.





Unrivalled *technology*

Aerodynamic efficiency

The aerodynamics and styling of the car have been developed in tandem to minimise the airflow vortices that are unique to a cabriolet.

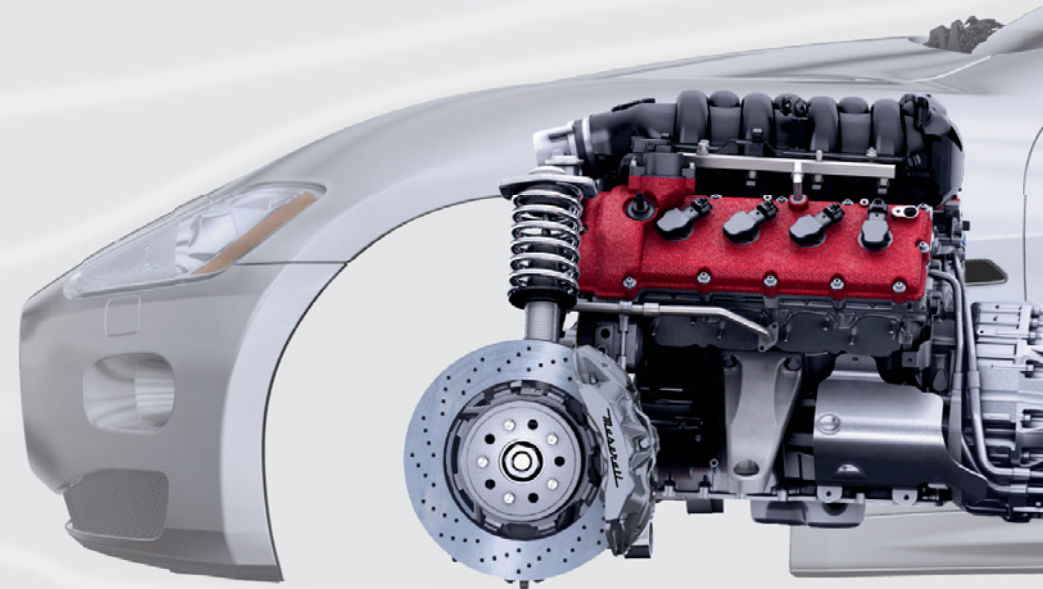
The drag coefficient is only 0.35 with the top up, and 0.39 with top down – exceptional figures for a car of this type.

This has been achieved thanks to the special design of the floorpan and, of course, the overall styling of the body that minimises drag and maximises downforce.

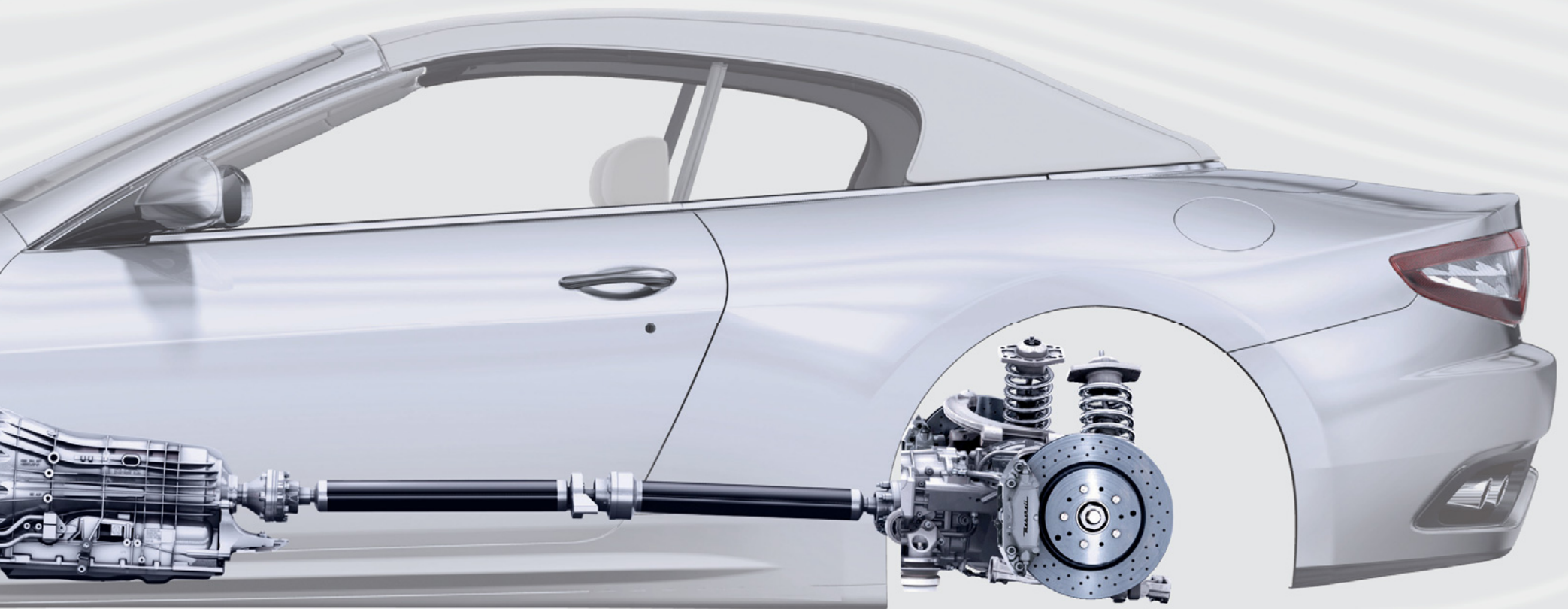
Weight distribution

What makes the Maserati GranCabrio such fun to drive, highly responsive and particularly safe is its balanced distribution of weight. With the top up, 49% of the car's weight is carried by the front wheels and 51% by the rear wheels, whilst with the top down, the respective figures are 48% and 52%.

This balance has been achieved by moving the engine back behind the front axle. It means that everyday driving becomes uncomplicated, predictable, and easy, and traction is maximised when accelerating (particularly on low grip surfaces). Roadholding is improved, too, with the car remaining exceptionally stable and well balanced even during emergency manoeuvres.



The perfect balance of the GranCabrio is enhanced by the hydraulic gearbox being integrated into the engine block, and by the dual-section transmission shaft, which delivers torque to the wheels via a self-locking differential (25% lock in traction, 45% in release) to limit any loss of grip.



Chassis

The chassis structure is made of steel, whilst the bonnet and bumper front reinforcement member is aluminium.

The boot lid is constructed from a special thermoset plastic material which not only reduces the car's weight but is also more resistant to minor damage.

The new chassis took thousands of hours of computer time to perfect, and even more time spent on testing.

The resultant handling has to be experienced to be believed. The rigidity of the new chassis has set new standards in the industry: a dynamic torsional frequency of 27.2 Hz.

Only 100 kg heavier than the GranTurismo coupé, the Maserati GranCabrio is every bit as exciting and pleasurable to drive.

Suspension

The Maserati GranCabrio is equipped with aluminium gas dampers, and uses the Skyhook Continuous Damping System.

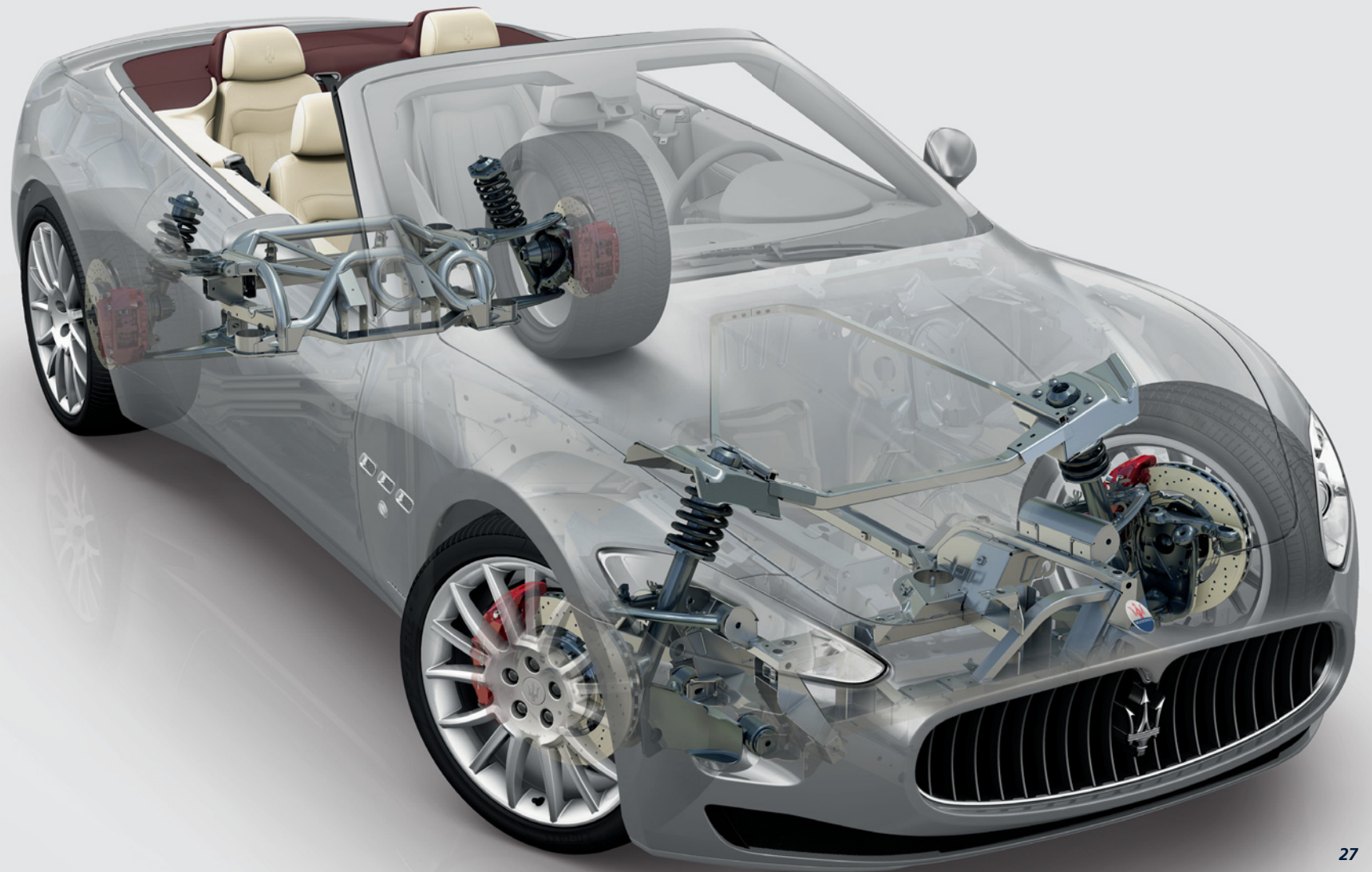
This system "chooses" the optimum damping settings for the prevailing road and driving conditions, thus soaking up any bumps or jolts and ensuring the highest levels of ride comfort.

The Skyhook system employs acceleration sensors, which detect the movements of each wheel and also the car body; the ECU then analyses this information and immediately adjusts the damper settings accordingly.

The driver can alter the car's handling characteristics by selecting one of two presets: Normal and Sport.

The first mode provides relatively soft damping for a more comfortable ride; the second is more rigid, with reduced roll and load transfer.

The dynamic performance of the Maserati GranCabrio is also assisted by the Maserati Stability Programme (MSP), which has been specially developed by Maserati to optimise driving dynamics and safety. The system comprises a set of sensors that can detect any deviations from the car's ideal trajectory and then act on the brakes and engine to stabilise the car and correct any oversteer or understeer.





Braking System

The Maserati GranCabrio is equipped with a high performance braking system employing dual-cast technology for the front brakes, a system developed in collaboration with Brembo.

The disc's external braking surface is made of cast iron, whilst the hub is aluminium; the monobloc brake callipers, also in aluminium, are more resistant to deformation than traditional two-piece callipers. The braking system has two circuits, with four ventilated and perforated discs. The front brakes comprise monobloc aluminium callipers with six pistons of different diameters and dual-cast discs measuring 360 x 32 mm, whilst the rear ones feature aluminium callipers with four pistons of different diameters and 330 x 28 mm discs.

EBD is an integral part of the ABS system, for optimum braking force distribution between the front and rear wheels.

To facilitate uphill starts, the car employs the Hill Holder system, which keeps the vehicle braked for a few seconds after the brake pedal is released on uphill slopes, thus enabling the driver's foot to shift over to the accelerator pedal without the vehicle moving back.

The car also features HBA (Hydraulic Brake Assist) – a system that recognises when the driver is in a panic situation, analysing a set of parameters such as pressure on the brake servo, wheel speed and activation of the third rear stop light. Once an emergency situation has been determined, the HBA effectively replaces the driver and activates the full power of the brakes to reduce the stopping distance to a minimum.





Engine

The heart of the GranCabrio is the most powerful of Maserati's engines – the glorious 4.7 litre V8, with a power delivery of 440 hp at 7000 rpm, and a maximum torque of 490 Nm at 4750 rpm.

The engine is configured at 90°, with timing handled by two chain-driven overhead camshafts per bank and four valves per cylinder controlled by hydraulic tappets. The camshafts on the intake side are fitted with a low pressure continuous phase timing variator, with valve actuation times of less than 0.15 seconds.

The single timing chain makes the engine exceptionally reliable and quiet, with very low friction levels and consequently reduced fuel consumption. The precision timing also means excellent cylinder filling capacity, which in turn enhances the car's performance.

Wet sump lubrication is also a feature of the 4.7 V8, the sump being integrated into the crankcase. The engine oil is circulated by a single immersed pump – a system that significantly reduces engine noise and consequently improves passenger comfort. 82% of torque is available from as low as 2500 rpm, delivering exceptional pick-up even in higher gears, so that overtaking is safer and driving in general is more enjoyable and sporty.

Finally, the adoption of a metal matrix, perforated sheet catalytic converter delivers Euro 5 homologation without sacrificing performance.

Pneumatic exhaust by-pass valves

The Maserati GranCabrio's exhaust is controlled by pneumatic valves which, in Normal mode, are closed to ensure a low, discreet sound level. However, pressing the Sport button not only changes the car's performance and handling dynamics but also opens the exhaust valves, thus enabling the engine to deliver maximum power with a stirring roar - which is even more thrilling to hear with the top down.

The by-pass is controlled by a governor so that it only opens at over 3000 rpm. This gives the car two distinct characters: discrete and modest at low engine speeds, and responsive and powerful at high revs for an unforgettable driving experience.



Automatic transmission with hydraulic torque converter

The Maserati GranCabrio matches up a ZF 6 speed automatic gearbox to its 4.7 litre engine – a combination which will impress the most demanding drivers with its acceleration, whilst still delivering smooth and fluid gearchanges – for the comfort of all onboard.

The new hydraulic transmission enhances the performance of the Maserati V8 engine, especially at low and medium revs, without sacrificing performance at the higher end. Changing gear in Manual-Sport mode is very much in the super-fast sports car tradition.

The driver can choose from four different gearchanging modes:

Auto Normal Mode

When driving normally, the shifting patterns are configured for maximum ride comfort. Upshifts occur as early as possible to achieve the lowest levels of vibration and engine noise. Gearchanges are smooth and almost unnoticeable.

When the driving style is recognised as being more sporty, gearshifts automatically take place at higher engine speeds, reducing the number of changes and resulting in higher performance.



Auto Sport Mode

In a normal driving, without heavy acceleration, the transmission drops down a gear compared to Auto Normal mode, making driving more sporty and producing a louder, more resonant engine noise.

When driving in a more sporty style, gearchanges occur at much higher engine speeds, whilst downshifting due to braking is calibrated to happen just before a bend in order to provide optimal control when entering it and then delivering the maximum power when exiting it.

This is the ideal set-up for challenging roads and dynamic driving.

Auto ICE Mode

When the driver activates the ICE mode, Sport mode is automatically deactivated (if it was on) and the stability control system (MSP) restored (if it was previously off); first gear is not engaged in order to reduce torque and prevent wheelspin, and gear changes take place at between 3000 and 4000 revs to optimise the car's traction.

Manual Mode

When the gearlever is shifted from D to the +/- position, gears are selected directly by the driver sequentially using either the gearshift lever or the paddles on the steering column.

Using the gearshift lever, the driver changes gear in precisely the same way as a race car: pulling the lever back changes up, while pushing it forwards changes down, which follows the motion of the body under acceleration and braking. The driver can at any time change from using the lever to the steering wheel paddles (by leaving the gearlever in the "+"/"- slot). The steering wheel paddles adopted by Maserati differ from other systems used by its competitors due to their ergonomic positioning, i.e. attached to the steering column. This makes them immediately accessible at all times and, since they are in a fixed position, the driver always knows exactly where they are – an important safety feature in emergencies.

Using the gear shift paddles also allows the driver to keep both hands on the wheel. Gearshifts are made with a simple flick of the fingers, which means extra safety on fast, winding roads, not to mention greater driving enjoyment.



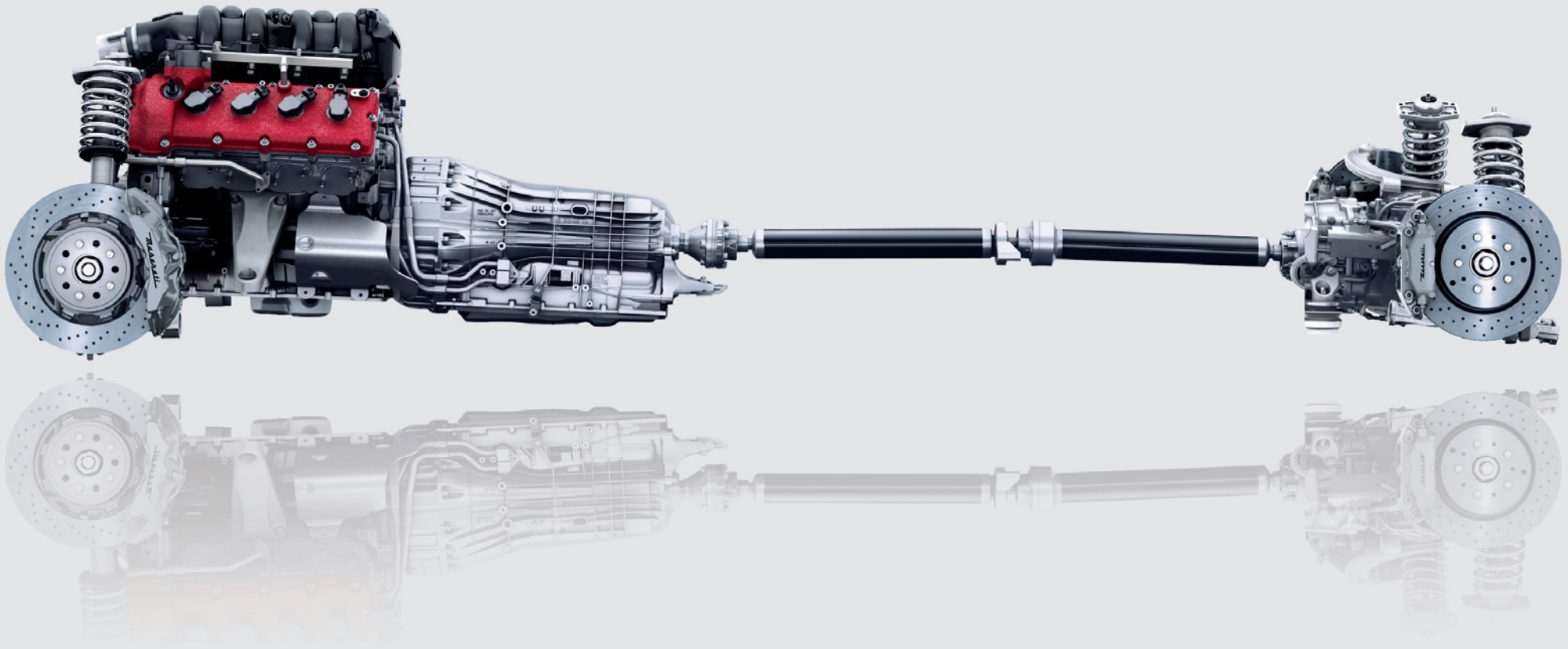
In order to optimise driving safety and reliability, Manual mode includes automatic upshifts at the maximum permitted engine speed and automatic downshifts to prevent the engine from labouring.

The exception is fifth gear, where the driver must make the change, both to maintain a sporty driving experience and to optimise performance.

The electronic kick-down can be activated at any time by flooring the accelerator in Auto mode.

In Manual mode this function is disabled, as the driver uses the gearshift or paddles to select the appropriate gear.





Transmission

The hydraulic transmission is located at the front of the car and is integrated with the engine.

The drive shaft is articulated into two sections, transmitting the drive to the wheels through a self-locking differential.

Steering responsiveness and precision are also important aspects of a dynamic driving experience, as well as being vital to comfort and safety. The electronic servo-system ensures that the power steering action is always proportionate to the car's speed, so that there is always the right amount of 'feel' when driving at high speeds, yet light and precise steering when manoeuvring in tight spaces – which is made even easier in the GranCabrio, thanks to a turning circle of just 10.7 metres.



FEEL PROTECTED

Unparalleled active and passive safety -
the key to motoring with complete peace of mind.



Active *safety*

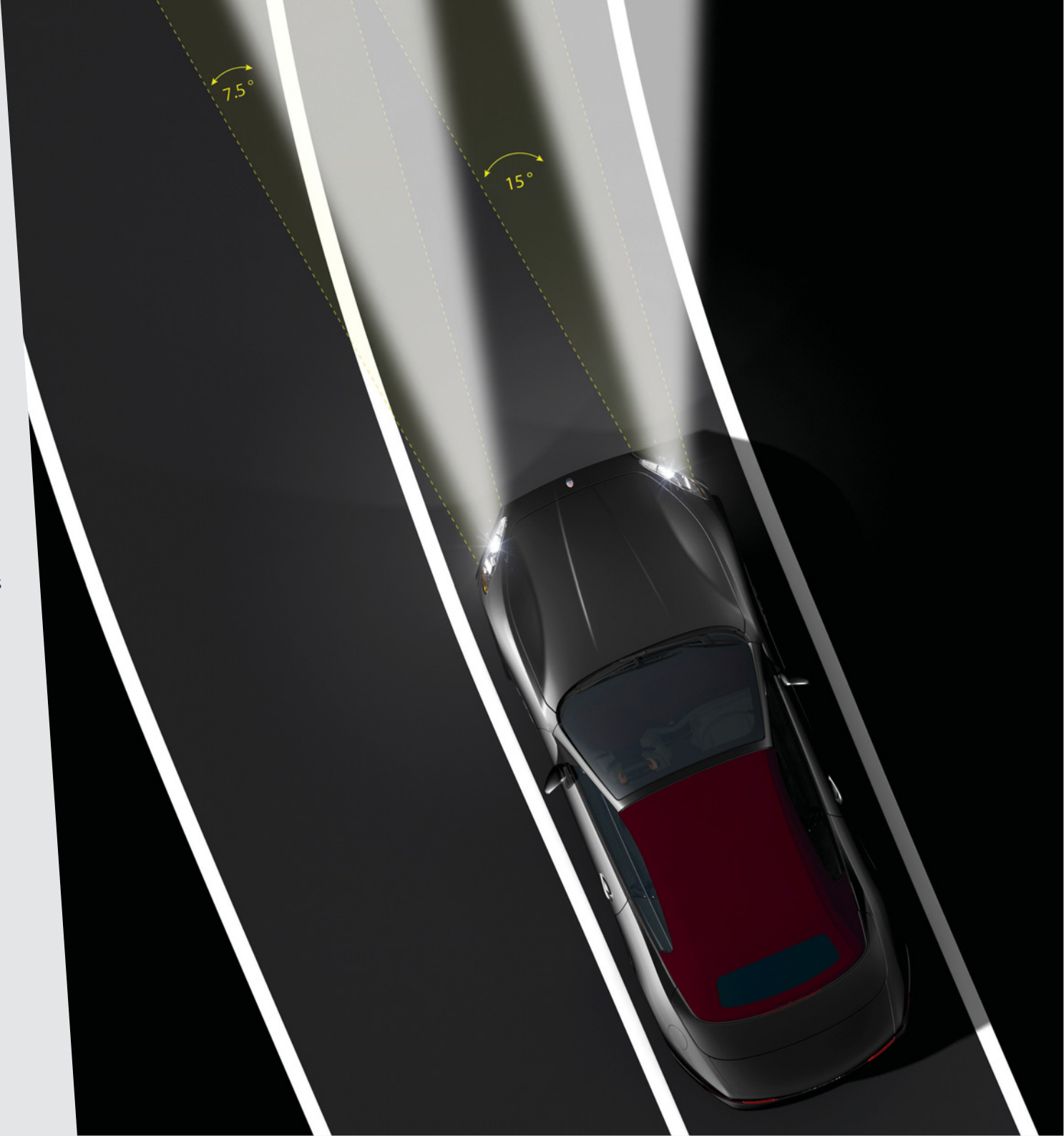
Adaptive headlamps

The highly effective Bi-Xenon headlights, which are fitted as standard on the Maserati GranCabrio, are enhanced by a rotation function that improves the illumination of the road and surrounding areas, and hence improves safety when driving at night on winding routes. The electronic high and low beam control unit instantly captures information relating to the angle of the front wheels, as well the car's speed. It then actuates special electric motors to rotate the light cones. The system is activated at speeds over 3 mph, and the rotation angle becomes smaller between 56 mph and 75 mph. It then deactivates at speeds over 75 mph or when reversing, for reasons of safety.

Parking sensors

The Maserati GranCabrio is equipped with rear parking sensors integrated into the rear bumper which, together with the optional front sensors, facilitate manoeuvring in restricted spaces.

The instrument panel shows the car surrounded by colour-coded symbols indicating the distances to nearby obstacles (green, yellow and red).



Cruise Control

The Cruise Control function automatically maintains a preset cruising speed with no need for pressure on the accelerator. When it is active, the gearshift patterns alter according to the gradient of the road – the changes then take place at intervals that are calibrated for maximum smoothness and comfort.

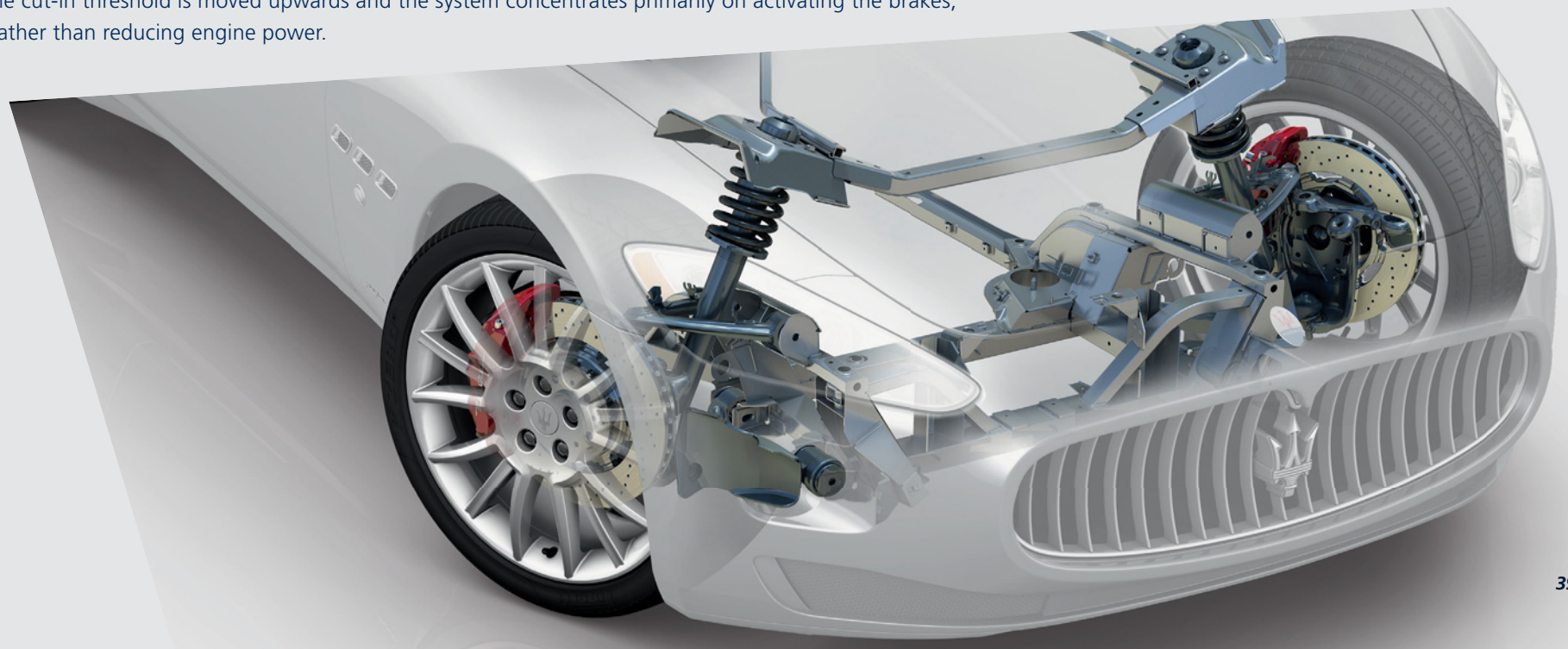
Skyhook system

The car's front and rear suspension set-ups have anti-roll bars to reduce roll and increase driving comfort. They use a quadrilateral design with cast hub mounts and forged aluminium arms, combined with aluminium gas shock absorbers featuring continuous damping variation and acceleration sensors on each wheel (the Skyhook system).

Maserati Stability Program (MSP)

If the car begins to skid, the Maserati Stability Program (MSP) reduces torque from the engine, activates the brakes, and stabilises the car within milliseconds. The ABS system prevents the wheels from locking while braking, allowing the driver to steer the car and maintain control. EBD then distributes the braking force optimally between the front and rear axles.

When the Sport mode button is pressed, the action of the MSP is altered to allow more sporty handling – although without compromising safety. The cut-in threshold is moved upwards and the system concentrates primarily on activating the brakes, rather than reducing engine power.

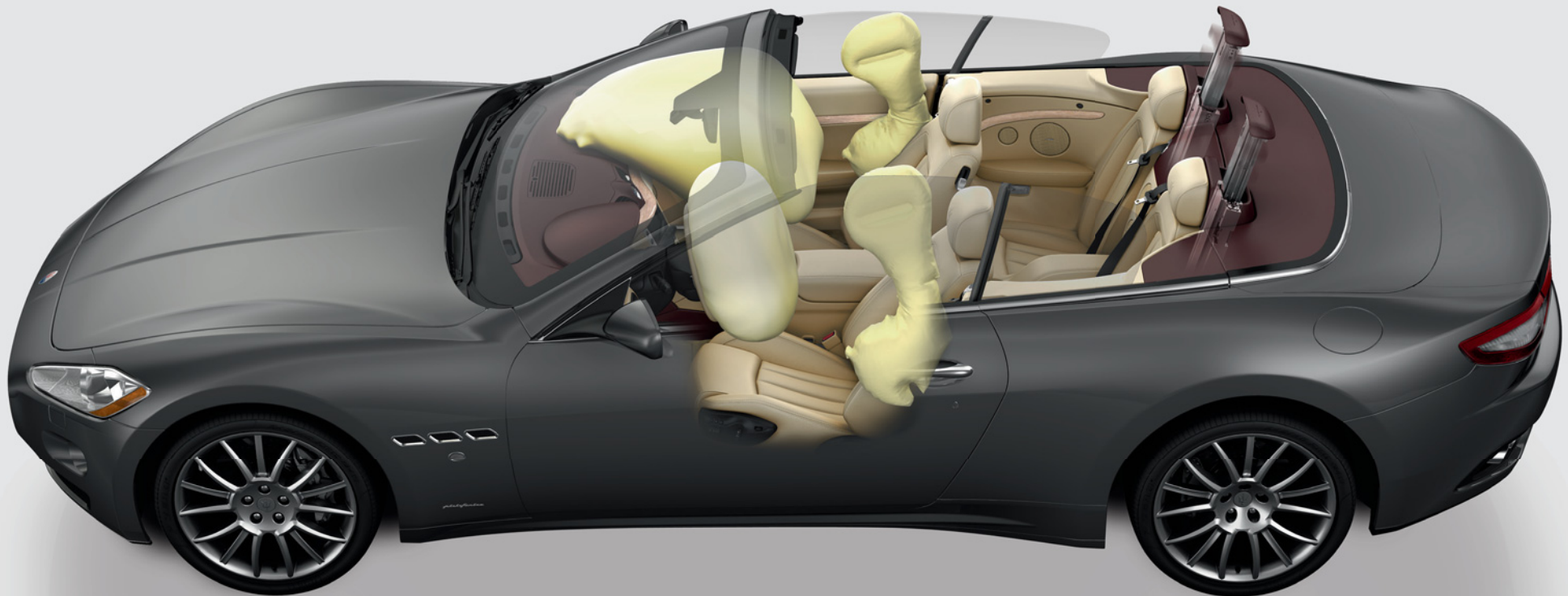


Passive *safety*

Air Bags

The Maserati GranCabrio uses a new generation of dual stage airbags for the driver and front passenger. The latter is protected by airbags that adapt to size and stature.

A multi-action system protects the chest and head not only from frontal collisions, but from lateral impacts too, with side airbags mounted in the seat backs.



Active Roll Bar

A telescopic roll-over bar system is located behind the rear seats and remains out of sight, covered by the tonneau cover. Controlled by the airbag ECU, this is activated in less than 190 milliseconds.

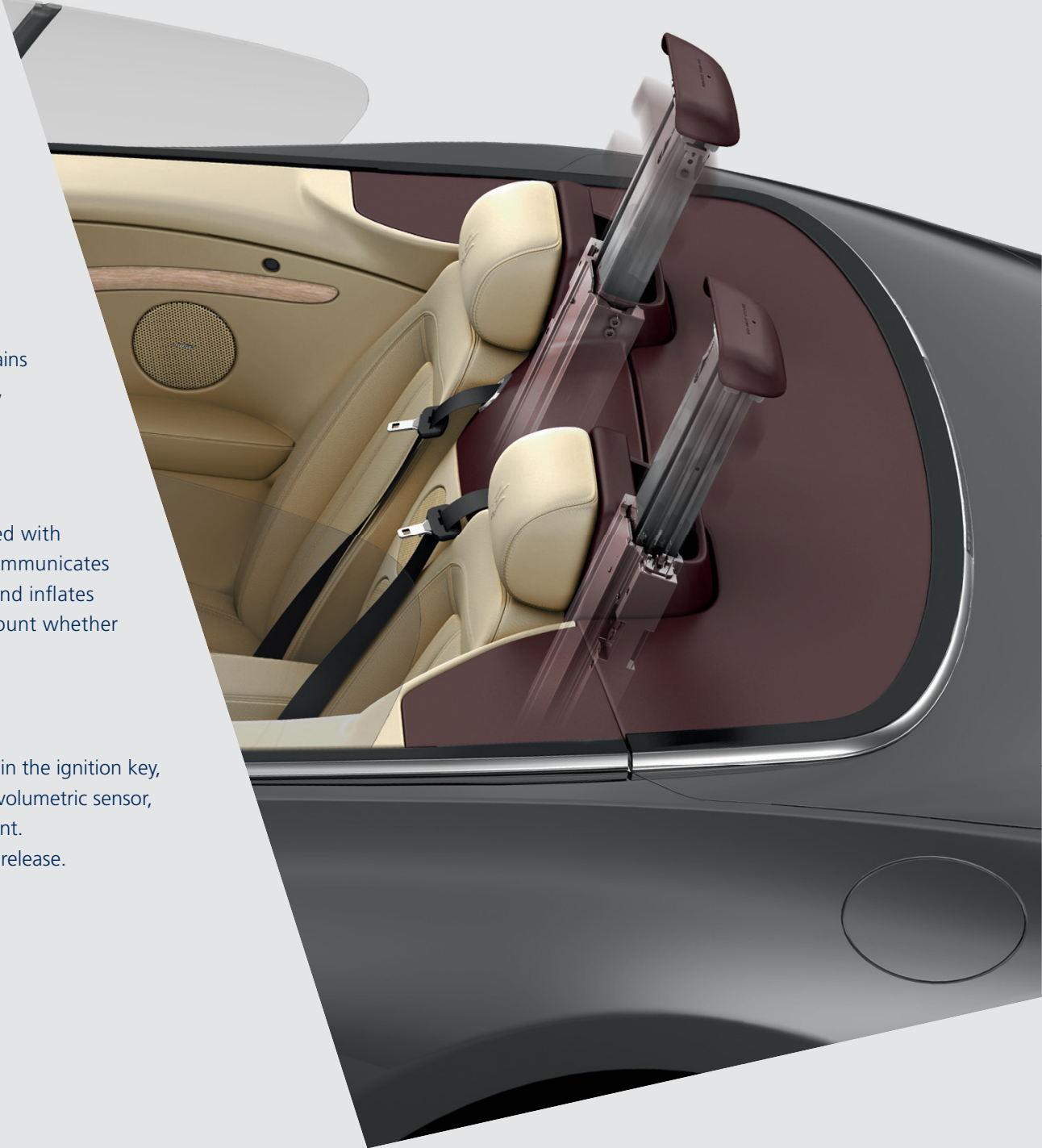
Seatbelts with pretensioners

The front and rear seatbelts are electronically controlled and equipped with the latest pyrotechnic pretensioners and load limiters. The system communicates with a sensor that instantly evaluates the seriousness of a collision and inflates the airbags with the optimal amount of force. It also takes into account whether the seatbelts are fastened or not.

Immobiliser and anti-theft system

The car is protected by an immobiliser that reacts to the transponder in the ignition key, as well as a system that comprises an anti-lift sensor and ultrasound volumetric sensor, perimeter protection and an alarm located in the engine compartment.

The remote control has three functions: doors lock/unlock and boot release.



INTERIOR HARMONY

A perfectly balanced combination of luxury and elegance for the most refined tastes - a delight for the most critical of palates.





Interior *design*

It's an interior with a uniquely sophisticated combination of modernity, elegance, craftsmanship, sportiness and overt luxury: whoever travels in the Maserati GranCabrio, whether driver or passenger, deserves only the best.

All the materials are worked with precision and skill by expert craftsmen in leather and wood; inspiration and perfection are the only ways to describe the Maserati GranCabrio's interior.

The first thing to strike the eye is the dashboard, which is laid out horizontally and is characterised by the V-shape that is produced.



The controls are located in such a way as to give the driver the feeling of total control: the major dynamic functions are controlled by buttons on the driver's side, whilst the most commonly used multimedia controls can be operated via those on the steering wheel. The functions are then displayed on the seven inch screen of the Maserati Multi Media System, which is mounted in the centre of the dashboard - in a raised position for improved visibility.

The all round attention to detail manifests itself in numerous features, such as the subtle chrome inlay that elegantly decorates the buttons on the dashboard and steering wheel, the Trident emblem that is hand-crafted on the seat headrests, the Alcantara® trim that lines the back of the gearchange paddles, and the prominent hand-stitching of the front and rear armrests.



Interior *design*

Sleek and sporty from the outside, comfortable and luxurious from the inside.

This formula was refined with the expertise of the designers who were put to the test with the GranCabrio concept. A concept which envisaged, first of all, two adults being able to use the rear seats even on long journeys, without suffering from cramp or fatigue.

With this car, even travelling in the back is a delight, thanks to an ergonomic seating position which is comfortable and not artificially upright.

The harmoniously shaped tunnel separating the rear seats features two cup holders and a receptacle. At the front all the benefits of the comfort package can be exploited. This feature allows the driver to memorise his ideal driving position and, in the cold weather, heat the seat to three different temperatures.





Materials and *custom options*

The interior of the GranCabrio is upholstered in the finest leather from Poltrona Frau®, a company long renowned for the quality of its hides and its traditional processing techniques. The Poltrona Frau® leather used for the GranCabrio goes through a rigorous selection process that rejects everything but the softest, most tactile, and highest quality hides. The treatments they then undergo add durability, strength, and practicality to their attractive appearance, whilst hand finishing processes ensure that the leather is soft and snug in winter, yet cool and comfortable in the summer - and help give it that very special feature that makes 'ageing' a factor that actually enhances its appeal - like a great vintage wine.

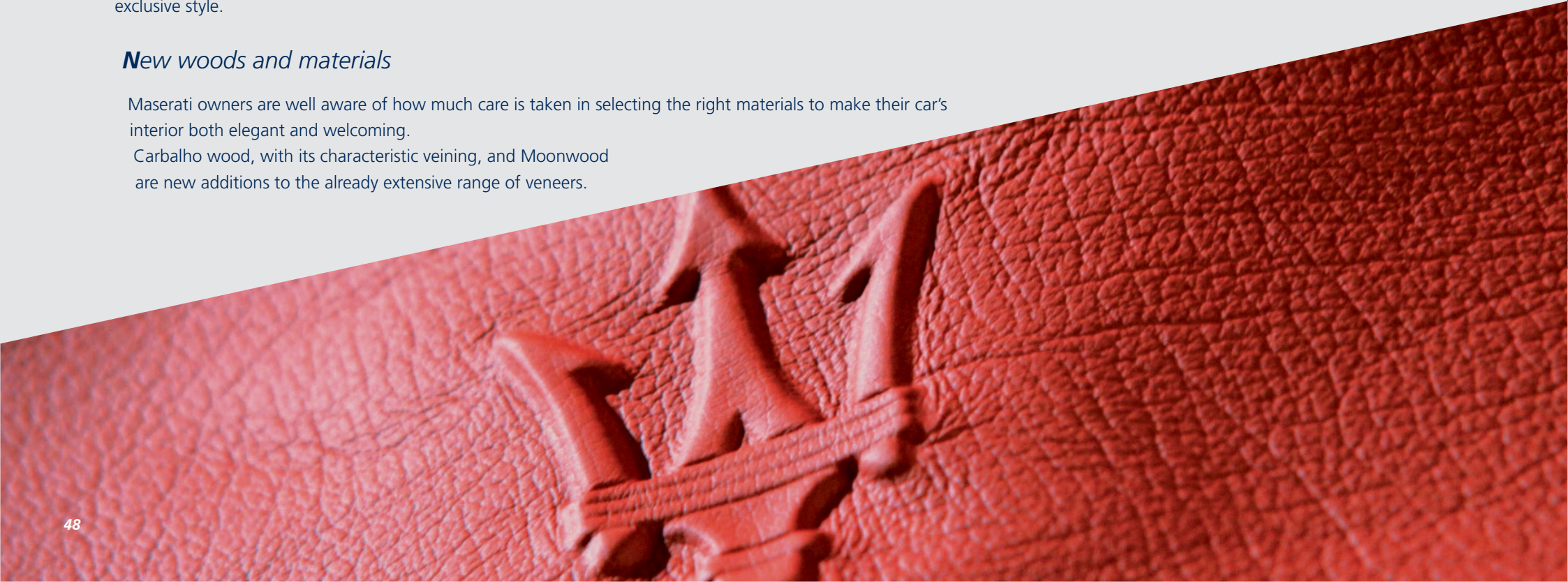
The leathers are available in 10 colours, giving free rein to your creativity. The colours of the seats, dashboard, tonneau cover, cross beam, steering wheel and gear lever knob can all be co-ordinated with those of the stitching, carpets and interior fabric of the soft top.

Areas of the dashboard, door panels and rear side panels are other places that can be personalised: Dark Chrome Grey is the standard finish, but exotic woods are also available, evoking the warm and elegant charm of a classic Italian automobile. In addition there are lacquered colour finishes for a more sporting, exclusive style.

New woods and materials

Maserati owners are well aware of how much care is taken in selecting the right materials to make their car's interior both elegant and welcoming.

Carbalho wood, with its characteristic veining, and Moonwood are new additions to the already extensive range of veneers.





Carbalho, in particular, is a very special wood from Brazil (Carvalho Brasileiro). Thanks to a three-dimensional effect it produces, Carbalho offers a different veining pattern in every piece of wood. It is this unique and highly prized characteristic that gives each car its own special signature – even the next GranCabrio off the production line will have a different pattern of Carbalho wood.

Moonwood, on the other hand, is not a natural wood, but is rather an engineered, multi-layered wood. In a light colour with a pinkish grain, it suits the interior of the car admirably.

The Maserati GranCabrio also offers a new standard colour for the climate control system and Maserati Multi Media System screen surrounds: Dark Chrome Grey, a warm yet sporty tone that combines anthracite grey with appealing highlights.

It is the fine details of a car like this that make all the difference. This is why the carpets can be customised with no less than seven different coloured borders: black, blue, Bordeaux, grey, brown, red and sand. No-one else will ever have a GranCabrio exactly like yours.

Bodywork



Bianco Eldorado



Grigio Touring



Grigio Alfieri



Grigio Granito



Blu Nettuno



Blu Oceano



Bordeaux



Nero Carbonio



Nero

Paint colours



Bianco Fuji



Giallo Granturismo



Blu Mediterraneo



Bianco Fuji



Blu Mediterraneo



Rosso Mondiale



Grigio Nuvolari



Argento Luna



Grigio Granito

*Special **paint***

*Matt **colours***

Interior



Pearl Beige



Avorio



Sabbia



Cuoio



Marrone Corniola



Grigio Medio



Blu Profondità



Rosso Corallo



Bordeaux



Nero

Leather **colours**



Rosewood



Walnut Briarwood



Moonwood



Blu Laque



Black Piano



Wengè Polished



Carbalho



Padouk



Dark Chrome

*Interior **wood trim***

*Interior **finishes***

Soft top



Nero



Beige



Beige



Cioccolato



Burgundy



Grigio Beluga



Grigio Titanio



Blu



Nero

*Internal **headlining***

*External **coating***

Wheels and Brakes



Alloy wheels
Birdcage design
(8,5J x 20" ant; 10,5J x 20" post)



Alloy wheels
Birdcage design
Grigio Mercury
(8,5J x 20" ant; 10,5J x 20" post)



Brake callipers GranCabrio
painted Nero



Brake callipers GranCabrio
painted Argento



Brake callipers GranCabrio
painted Rosso



Alloy wheels
Trident design
(8,5J x 20" ant; 10,5J x 20" post)



Alloy wheels
Trident design
Grigio Mercury
(8,5J x 20" ant; 10,5J x 20" post)



Brake callipers GranCabrio
painted Blu



Brake callipers GranCabrio
painted Giallo



Brake callipers GranCabrio
painted Titanio

Standard and **Optional** Equipment

● Standard
○ Optional

SAFETY

Bi-xenon headlights with headlight washing system	●
Adaptive headlights - with rotating lamps for a better cornering illumination	●
Automatic headlamp activation	●
Front indicators included into the headlamp	●
Front and rear foglamps	●
Taillamps with high visibility LED lights	●
Automatically dimming interior mirror	●
Automatically dimming exterior mirrors	○
Air-bag system: dual stage front bags, side bags head-thorax	●
Front seat belts with pre-tensions and load limiters	●
Rear seat belts with pre-tensions	●
Child seat ISOFIX attachments, rear	●
Maserati Stability Program (MSP) - includes: - stability control (MSP) - traction control (ASR) - anti lock braking system (ABS) - electronic brake distribution (EBD) - engine torque control (MSR)	●
Tyre Pressure Monitoring System (TPMS)	○
Tyre sealing compound	●
Telescopic roll-over protection system	●

WHEELS AND CHASSIS

Light alloy wheels - 20" Trident design coloured in silver (8,5J x 20" front; 10,5J x 20" rear)	●
Light alloy wheels - 20" Trident design coloured in Grigio Mercury (8,5J x 20" front; 10,5J x 20" rear)	○
Light alloy wheels - 20" Birdcage design coloured in silver (8,5J x 20" front; 10,5J x 20" rear)	○

Light alloy wheels - 20" Birdcage design coloured in Grigio Mercury (8,5J x 20" front; 10,5J x 20" rear)	<input type="radio"/>
Skyhook - electronically variable active damping system	<input checked="" type="radio"/>
360 mm drilled brake discs - front; 330 mm drilled brake discs - rear	<input checked="" type="radio"/>
Power-assisted steering wheel, with speed sensitive features	<input checked="" type="radio"/>
Electronic Parking Brake (EPB)	<input checked="" type="radio"/>
18" space saver spare wheel	<input type="radio"/>

EXTERIOR EQUIPMENT

Metallic paintwork	<input type="radio"/>
Special colour	<input type="radio"/>
Bianco Fuji colour - pearlescent	<input type="radio"/>
Matt colours	<input type="radio"/>
Front grille with vertical and concave grille bars	<input checked="" type="radio"/>
Chromeline exterior trim	<input checked="" type="radio"/>
Door mirrors - electrically operated, folding and heated	<input type="radio"/>
Side ornamental grilles	<input checked="" type="radio"/>
Electric opening assist for boot lid and doors	<input checked="" type="radio"/>
Lightweight boot lid construction, with remote key opening	<input checked="" type="radio"/>
Maserati designation - rear	<input checked="" type="radio"/>
Rear parking sensors	<input checked="" type="radio"/>
Front parking sensors	<input type="radio"/>
Exhaust - twin dual tube tailpipes, in chrome plated stainless steel	<input checked="" type="radio"/>
Car cover	<input type="radio"/>
Full automatic soft top	<input checked="" type="radio"/>

INTERIOR EQUIPMENT

Under door sills - Cabrio design	●
Instrument dials in Maserati Blu color with white graph	●
Maserati clock design in centre dashboard with chrome-plated trim	●
Three-spoke sports steering wheel in leather multifunction	●
Steering column with manual height and reach adjustments	●
Maserati "Active Shifting"	●
Maserati "Active Shifting" (Trofeo design)	○
"SPORT" button for sport mode set-up	●
Front seats with high lateral support, electrically adjustable in height, depth, and backrest with "easy-entry" (the seat moves forward and backward automatically to facilitate the entry and exit of rear passenger). Lumbar support for driver included.	●
Comfort pack front seats including: - Driver's seat memories - Heating - Power steering column with easy entry/exit function	○
Trident logo embossed on head restraints - front and rear	●
Folding front armrest with illuminated storage compartment	●
Fixed rear armrest integrated into the central tunnel	●
Two individual full size cup-holders - front and rear passengers	●
Lockable, illuminated glove compartment on passenger side - in dashboard	●
Storage compartment in centre tunnel - front and rear	●
Two air outlets - rear	●
Aluminium sport pedals	○
Windstop	○

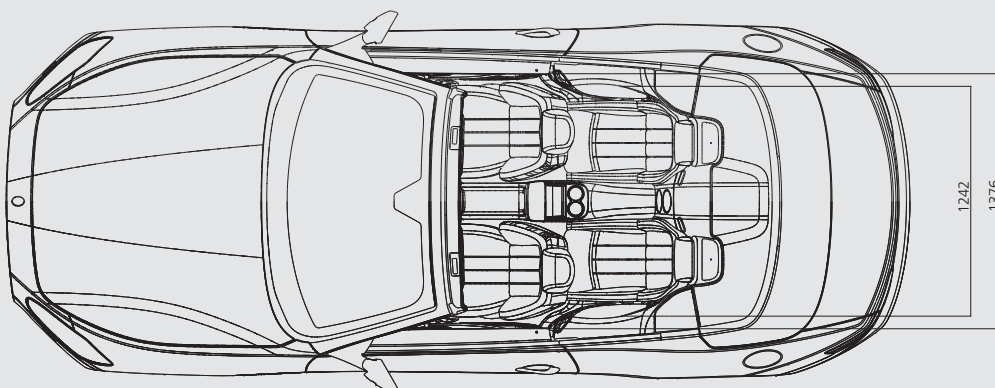
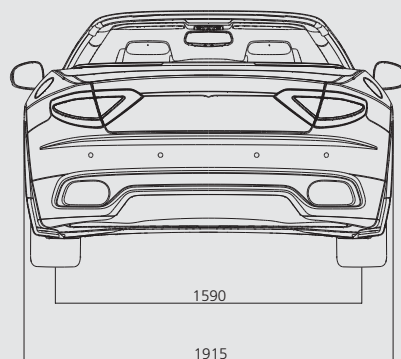
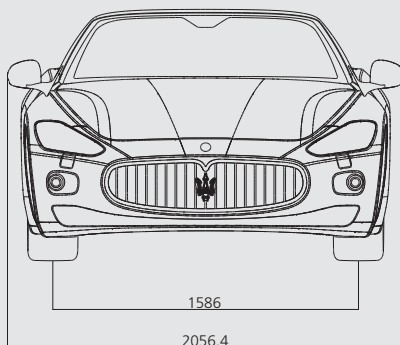
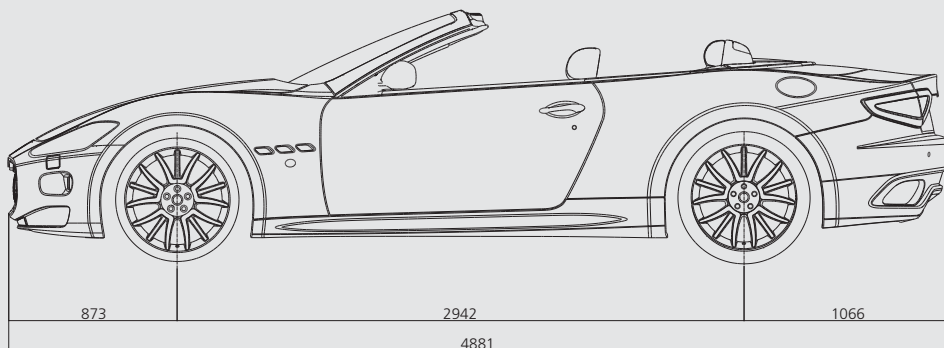
ELECTRONIC DEVICES

Electronic immobiliser	<input checked="" type="checkbox"/>
Alarm system (perimeter and volumetric sensing, anti-lift device, electronic immobiliser)	<input checked="" type="checkbox"/>
Remote key (on/off alarm system, lock/unlock doors, unlock boot lid)	<input checked="" type="checkbox"/>
Cruise control	<input checked="" type="checkbox"/>
HomeLink - Garage door opener	<input type="checkbox"/>
Dual zone automatic climate control with two rear air outlets in centre tunnel	<input checked="" type="checkbox"/>
Auto demist sensor	<input checked="" type="checkbox"/>
Maserati Multi Media System with 7" in dashboard screen - includes navigation system, RDS tuner, single CD player, 30GB hard disc drive, "Text to speech" system (to read SMS and TMC Premium traffic informations)	<input checked="" type="checkbox"/>
Maserati Hi-Fi loudspeaker system - 6 speakers with 2 x 40 Watt + 4 x 25 Watt RMS integrated equalizer	<input checked="" type="checkbox"/>
Bluetooth® and USB port to upload audio files and MP3 files	<input checked="" type="checkbox"/>
iPod interface	<input type="checkbox"/>
Bose™ Surround Sound System with 12 speakers	<input type="checkbox"/>
Rain sensor	<input checked="" type="checkbox"/>

UPHOLSTERY AND TRIMS

Poltrona Frau™ leather upholstery	<input checked="" type="checkbox"/>
Poltrona Frau™ drilled leather for central seats parts	<input type="checkbox"/>
Dashboard and tonneau cover coloured upon request	<input type="checkbox"/>
Dual interior colour leather upholstery with additional stitching	<input type="checkbox"/>
Coloured stitching upon request (excluding steering wheel and gear knob stitching)	<input type="checkbox"/>

Grigio Dark Chrome trim on selected interior details (dashboard, door and rear panel mouldings, gear knob finishing, clima and LCD details).	<input checked="" type="radio"/>
Wengè wood trim on selected interior details (dashboard, door and rear panel mouldings, gear knob finishing).	<input type="radio"/>
Rosewood trim on selected interior details (dashboard, door and rear panel mouldings, gear knob finishing).	<input type="radio"/>
Walnut briarwood trim on selected interior details (dashboard, door and rear panel mouldings, gear knob finishing).	<input type="radio"/>
Carvalho wood trim on selected interior details (dashboard, door and rear panel mouldings, gear knob finishing).	<input type="radio"/>
Padouk trim on selected interior details (dashboard, door and rear panel mouldings, gear knob finishing).	<input type="radio"/>
High gloss colour for selected interior details in Black Piano and Blu Laque (dashboard, door and rear panel mouldings, gear knob finishing)	<input type="radio"/>
Steering wheel and gear knob in coloured leather	<input type="radio"/>
Wooden steering wheel (Rosewood, Walnut briarwood, Wengè polished) and black leather	<input type="radio"/>
Wooden steering wheel (Rosewood, Walnut briarwood, Wengè polished) and coloured leather	<input type="radio"/>
Special range carpet piping upon request	<input type="radio"/>
Interior carpet colour upon request	<input type="radio"/>
Black soft top exterior and interior coloured in black	<input checked="" type="radio"/>
Black soft top exterior color with coloured interior (with specific colour matching)	<input type="radio"/>
Coloured soft top exterior with coloured interior (with specific colour matching)	<input type="radio"/>



TECHNICAL SPECIFICATIONS

• Displacement	4.691 cc
• Bore	94 mm
• Stroke	84,5 mm
• Compression ratio	11,25 : 1
• Max power output	323 kW (440 CV)
• Max power output revs	7.000 rpm
• Max torque output	490 Nm (50 kgm)
• Max torque output revs	4.750 rpm
• Max revs	7.200 rpm

PERFORMANCE

• Maximum speed	175 mph with soft-top closed / 170 mph with soft-top opened
• 0 to 62 mph acceleration	5,3 sec
• 0 to 400 metres acceleration	13.9 sec (to 105 mph)
• 0 to 1000 metres acceleration	24.8 sec (to 137 mph)
• 43 to 74 mph increase	4,2 sec
• Breaking distance from 62 to 0 mph	35 mt.

CONSUMPTIONS AND EMISSIONS

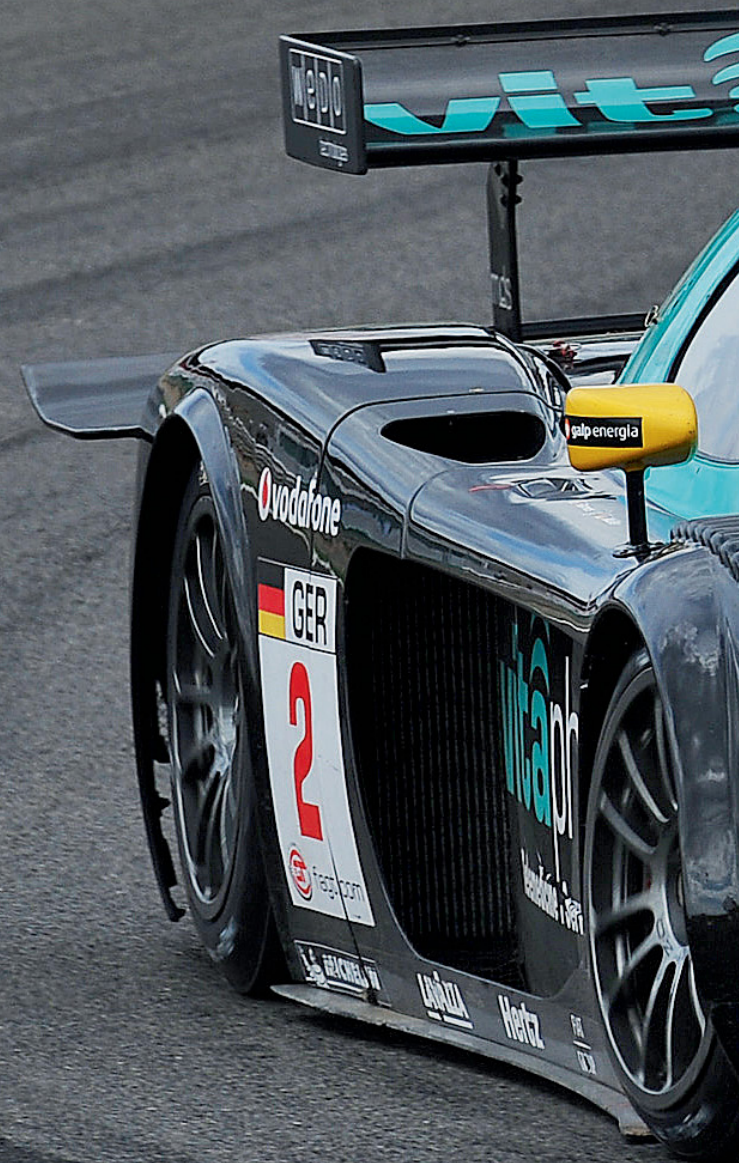
• Fuel consumption (urban cycle)	11.8 mpg (23,9 l/100 km)
• Fuel consumption (extra urban cycle)	27.2 mpg (10,4 l/100 km)
• Fuel consumption (combined cycle)	18.3 mpg (15,4 l/100 km)
• CO2 emissions (combined cycle)	358 g/km

DIMENSIONS AND WEIGHTS

• Length	4.881 mm
• Width (with side mirrors)	2.056 mm
• Width (without side mirrors)	1.915 mm
• Height	1.380 mm
• Wheelbase	2.942 mm
• Front track	1.586 mm
• Rear track	1.590 mm
• Front overhang	873 mm
• Rear overhang	1.066 mm
• Front alloy wheels	8,5Jx20"
• Rear alloy wheels	10,5Jx20"
• Front tyres	245/35 ZR20"
• Rear tyres	285/35 ZR20"
• Turning circle	10,7 mt.
• Boot capacity	173 l
• Fuel tank capacity	75 l
• Dry weight (EU version)	1887 kg
• Kerb weight (EU version)	1980 kg
• Kerb weight + driver	2.055 kg
• Full load weight	2.280 kg
• Gross vehicle weight	2.350 kg
• Weight distribution	49% front; 51% rear with soft-top closed 48% front; 52% rear with soft-top opened
• Soft top folding time	28 sec

THE ENTIRE MASERATI WORLD

A world of competition, passion and services
dedicated to those who love Maserati.





Maserati Corse

A longstanding tradition of success on the circuit

Racing has always been the most demanding test-bed; used to put engineering developments through their paces. Traditionally, reliability and performance are tested on the track, and it is where new technologies and materials are tried out.

It is also through racing that Maserati celebrates its sporting character and heritage.

GT1

The new FIA GT1 World Championship, an evolution of the FIA GT, is where the Maserati MC12 cars will once again attempt to confirm their supremacy in GT competitions. This car has won 12 championship titles (drivers, teams and manufacturers) since 2004, and also successfully competed in the prestigious and gruelling Spa 24 Hours.

The 2010 FIA GT1 World Championship will consist of 10 races, starting in Abu Dhabi, then tour the famous circuits of Europe, before finally drawing to a close in Argentina.

GT4

The GranTurismo MC GT4 has been developed by Maserati for the new GT4 category, which is an increasingly popular formula thanks to the relatively modest costs and excellent support organisation.

The GranTurismo MC GT4 is a continuation of Maserati's racing heritage, which dates back to 1926.



Trofeo

The Maserati Championship is once again the star of the race circuit thanks to the Trofeo Maserati GranTurismo MC; an eight-races championship for gentleman drivers throughout Europe, run alongside the World Touring Car Championship.

Using the GranTurismo MC Trofeo, the racing version of the GranTurismo S 4.7, participants can contest the championship with all the cars prepared to an equal standard and managed directly by Maserati Corse.

In addition, private teams can purchase a GranTurismo MC GT4 to complete in a separate class distinct from the Trofeo cars.

There will be two free practice sessions on Friday (40' each), two qualifying sessions on Saturday (20' each) and two races lasting 38' + 1 lap on Sunday.

For information email:

trofeomaserati@maserati.com



MASERATI

Trofeo



Master Maserati driving courses

It is perhaps the ultimate driving experience: taking to the racetrack in a race-tuned Maserati. A Master Maserati Driving Course places you behind the wheel of various different Maserati models, so that you can learn about performance driving and other techniques that will enable you to fully appreciate your own Maserati's performance, and improve your driving skills.

The courses take place at the Varano de' Melegari Circuit, near Parma - a demanding circuit that puts even the best drivers to the test. It is fully equipped with the latest driving instruction equipment, and the courses are run by ex-Formula 1 driver, Ivan Capelli, who is ably assisted by a highly experienced team of professional instructor-drivers. There are three types of Master Maserati Driving Course:

Master GT

An all-inclusive two-day course, spent at the wheel of various different Maseratis. It is an intensive training programme that comprises a number of exciting and dynamic sessions, including cornering trajectory technique, acquisition and analysis of Formula One type telemetry data, and driving with a pace-car. In addition, you are taught how to control the car in different simulated road conditions, e.g. quick direction changes, skid situations, and various braking techniques.

Master High Performance

The Master HP Maserati represents a further evolution of driving technique concepts developed during the previous GT program. The course, designed to offer a highly professional and technically advanced service, provides the unique opportunity to master the world of Maserati GranTurismo, testing high performance Maserati models on the Varano de' Melegari track, through a highly personalised and specialised program that combines driver satisfaction and technique.



Master MC Trofeo

The Master Maserati MC Trofeo is the ultimate expression of the sports driving concepts developed in the previous High Performance programme.

The course, an unforgettable and thrilling experience with a highly professional and technically evolved programme, gives you the once-in-a-lifetime chance to be part of the Maserati competition world, and drive the cars competing in the Trofeo Championship on the Varano de' Melegari circuit.

For information and registration: Master Maserati Office,

Tel.: +39 0525 55 11 38 - Fax: +39 0525 55 11 40

info@mastergt.it - www.maserati.com



The tailor-made services of the Maserati world

Individual testing

Following an intensive testing programme and minute examination within the factory, each new Maserati GranTurismo is put through its paces by professional Maserati drivers in a thorough, 50 kilometre test drive on challenging roads.

Factory collection

Taking delivery of a Maserati GranTurismo should be a unique and special occasion. To this end, the company offers its customers the opportunity of collecting their car themselves from the Maserati works in Modena. A tour of the production line, and formal handover in the stunning, Ron Arad-designed showroom make the customer's introduction to Maserati ownership a truly unforgettable event.



Three year warranty and roadside assistance service

The Maserati Assistance Service is provided free of charge for 3 years (with unlimited mileage) and comprises an exclusive package of services in addition to the standard warranty cover.

The services included are roadside assistance, replacement car, taxi for collection and return of replacement car, homeward or outward travel for passengers, collection of the repaired vehicle, hotel cost, repatriation of the vehicle to be repaired from abroad, money advance for essentials, motoring information (in Italy only) and information about the official Maserati authorised dealership network. These services are provided through the relative Assistance Centres, operating 24 hours a day, 365 days a year.

Maserati Extended Warranty

All Maserati GranTurismo, Quattroporte, Coupé, Spyder, GranSport and GranSport Spyder owners can extend their vehicle's standard warranty for further 12 or 24 months unlimited mileage warranty. So they can drive their car for 5 years with peace of mind.

The Extended Warranty can be activated before the standard warranty expiry date provided that the mileage does not exceed 100,000 km. For details of the Maserati Extended Warranty programme, please contact your nearest Maserati dealer.

* in the case of extension for the 5th year, the warranty must be extended by the end of the 4th year warranty extension.

Maserati Certified Pre-Owned

"Maserati Certified Pre-Owned" is the exclusive programme that provides an unlimited mileage, 12 or 24 month warranty for the best pre-owned Maserati vehicles.

To benefit from this programme a pre-owned Maserati has to pass 120 strict technical checks. With this certification, each car complies with the highest quality standards and is able to satisfy even the most detail-conscious client. The client can simply focus on the pleasure and thrill of driving their own Maserati.



MASERATI
CERTIFIED PRE-OWNED



Maserati website and car configurator

Recently redesigned, the www.maserati.com web site lets users browse the Maserati world at ease, view multimedia content or historical information, search the official Maserati dealer network for pre-owned Maserati cars, and create their very own car with the state-of-the-art car configurator.

Due to the huge number of ways in which the Maserati cars can be personalised, Maserati has developed a very special configuration website: www.configurator.maserati.com. Visitors to this site can configure their chosen model, and then view every mechanical detail inside thanks to its innovative 'X-Ray' viewing facility.

Create your Maserati on www.configurator.maserati.com.

*Factory tour**

For the ardent Maserati enthusiast who wants to discover more about the marque and how the cars are designed and built, a factory tour of the Modena plant can be arranged.

* Tours are by appointment only, and can be arranged through Maserati dealerships.

*The Maserati Experience***

For those wishing to combine their factory visit with a little more insight into the company's home city of Modena, Maserati has the perfect solution. Lasting either one or two days, the Maserati Experience enables you to get to know the world of Maserati at first-hand via a guided tour that allows you to discover Modena, its culture, its history and its fine food.

You can tailor your Maserati Experience to your own personal tastes and interests by combining a variety of activities:

- Visit to the Panini Museum and/or Stanguellini Museum (famous motor museums)
- Guided tour of the town
- Guided tour of a traditional balsamic vinegar manufacturer, with tasting
- Guided tour of a winery, with tasting of local wines
- Cookery school
- Day at the Modena Golf & Country Club
- ... and much, much more.

** For more information please contact us at maseratiexperience@maserati.com





The Maserati collection

The Maserati Collection of quality leisurewear, goods and branded merchandise has been specially created for those who share the Maserati passion, and who seek to associate with the illustrious marque.

Maserati Collection items are available from all Maserati Dealers and from the Maserati Store at the Maserati showroom in Modena. Alternatively all the articles in the collection can be purchased online at www.maseratistore.com and shipped directly to your home.

Maserati Club

Joining the exclusive Maserati Club means sharing thrills and experiences with other Maserati owners, and being invited to take part in special motoring events all over the world. Drivers with cars from every era can enjoy the pleasure of driving their Maseratis in a calendar of events constructed exclusively for Maserati Club members. The Maserati Club provides the link between the past, present and future of the company. It is run by individuals who have made a major contribution to the growth and promotion of Maserati across the decades, starting with the President, Maria Teresa de Filippis, the first ever female Formula 1 driver.

For more information, access www.maseraticlub.com

Original Maserati accessories

Especially designed to address widely different needs original Maserati accessories represent the perfect combination of design and functionality, complete with a guarantee of the highest quality, a characteristic that has always been associated with our brand.

The range of original accessories includes ad hoc items designed to enhance the elegance and sporty appeal of Maserati models.

Exterior variations, for example, coloured front grilles or brake callipers; interior finishings, such as carpet overlay kits and under-door moulding covers; components associated with dynamic performance with a wide choice of alloy rims and spoilers; car care accessories such as car covers, leather care kits, battery chargers and satellite anti-theft system: these are just some of the many items available.



Services

NORTH AMERICA

Canada
USA

CENTRAL / SOUTH AMERICA

Argentina
Brasil
Chile
Colombia
Costarica
Dominican Republic
El Salvador
Guatemala
Mexico
Panama
Puerto Rico
Venezuela

EUROPE

Austria
Belgium
Bulgaria
Cyprus*
Czech Republic
Denmark
Finland
France
Germany
Great Britain
Greece
Holland
Hungary
Italy
Latvia
Luxemburg

Montecarlo
Norway*
Portugal
Romania
Russia
Slovenia
Spain
Sweden
Switzerland
Turkey
Ukraine

ASIA / OCEANIA

Australia
China
Hong Kong
Indonesia
Japan
Korea
Malaysia
New Zealand
Philippines
Singapore
Taiwan
Thailand

AFRICA / MIDDLE EAST

Egypt
Bahrain
Kuwait
Lebanon
Oman
Qatar
Saudi Arabia
South Africa
U.A.E.



* Service only



The illustrations and texts contained in this brochure are based on the information available at the time of production and do not contain a description of specific characteristics of the car by the Constructor.

Some models, equipment and accessories may not be available or may only become available after the car's launch on the market. Maserati reserves the right to modify colours, designs and technical features at any time and without forewarning.

Official Maserati Dealers will be glad to provide further details and updates in this regard.





WWW.MASERATI.COM

WWW.MASERATIGRANCABRIO.COM

MASERATI SPA • VIALE CIRO MENOTTI, 322 • 41121 • MODENA • ITALIA